



Since 1959

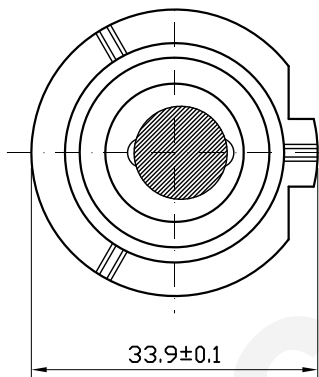
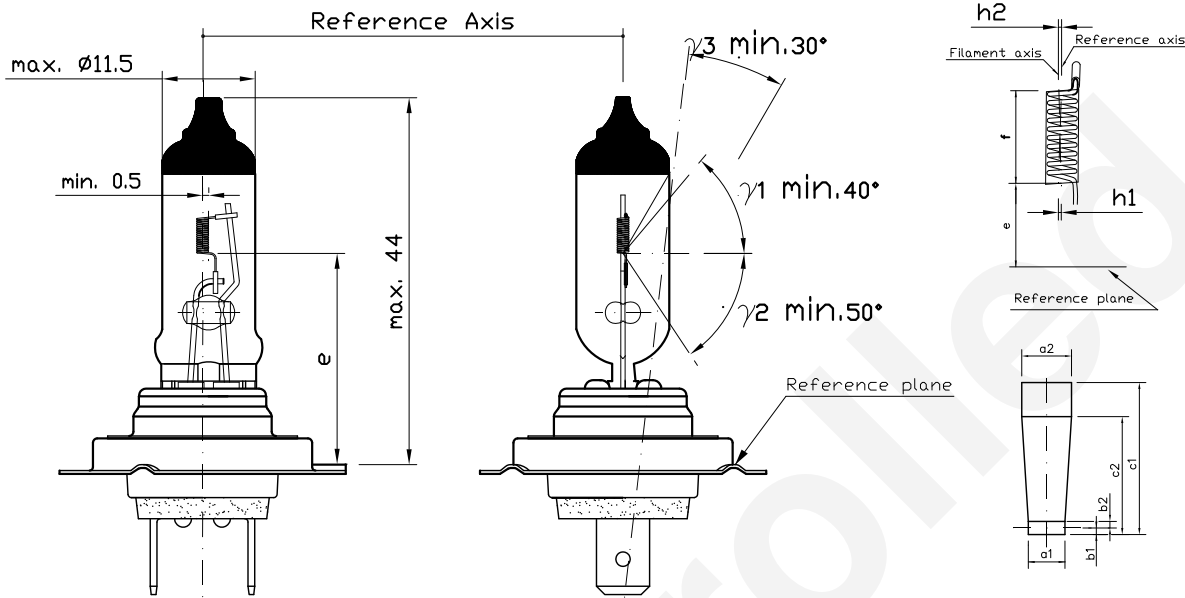
Product Information Sheet

H7 12V 55W

H7 55W

2011. 07. 05 NEW

2010. 12. 13 OLD



d	1.38 nom
e	25±0.20
f	4.1±0.20
h1(0°)	0±0.15
h1(90°)	0±0.15
h2(0°)	0±0.25
h2(90°)	0±0.25

a1	a2	b1	b2	c1	c2
d+0.3	d+0.5	0.20	0.20	4.6	4.0

Halogen bulb
 H7 12V 55W
 Cap: ¹⁾ PX26d
 Type: STD
 ECE R37 (E1) 2RA
 FMVSS108 DOT
 Bulb: UV-cut Quartz glass
 Made in Korea / INCHEON

1) according to IEC 61-1 sheet 7004-5-1

Technical data	R37	FMVSS108
Test voltage	13.2V	12.8V
Power	58W max.	55.6W max.
Luminous flux	1500lm ±10%	1350lm ±12%
Lumen maintenance	85 % min	85 % min

Rated life: -characteristic Tc -B3	at 13.2V	at 14.0V
	550 h min 330 h min	250h average

Maximum operating temperature:	1:bulb 800°C max 2:pinch 400°C max
--------------------------------	---------------------------------------