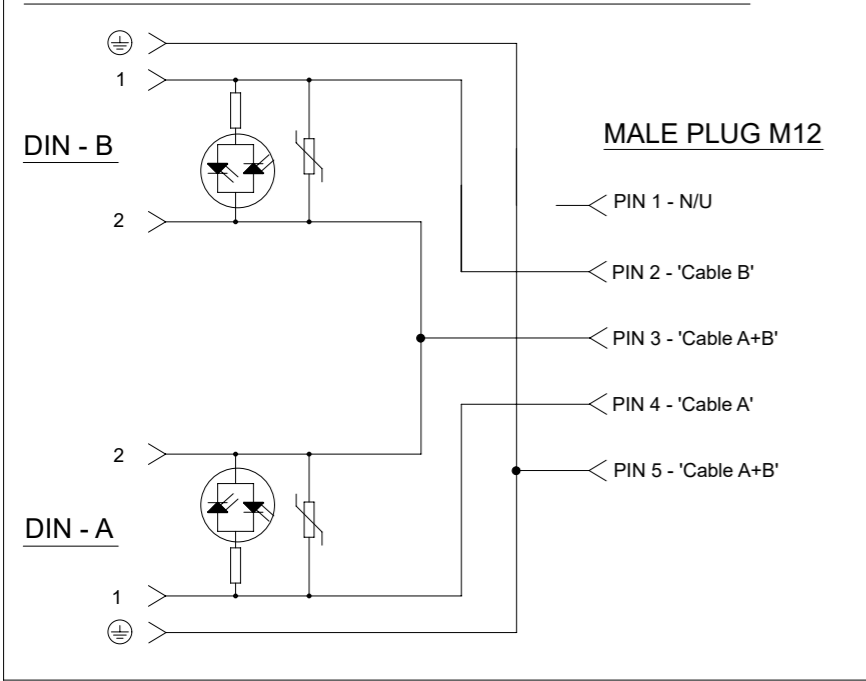
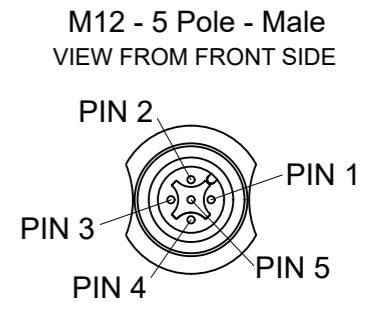
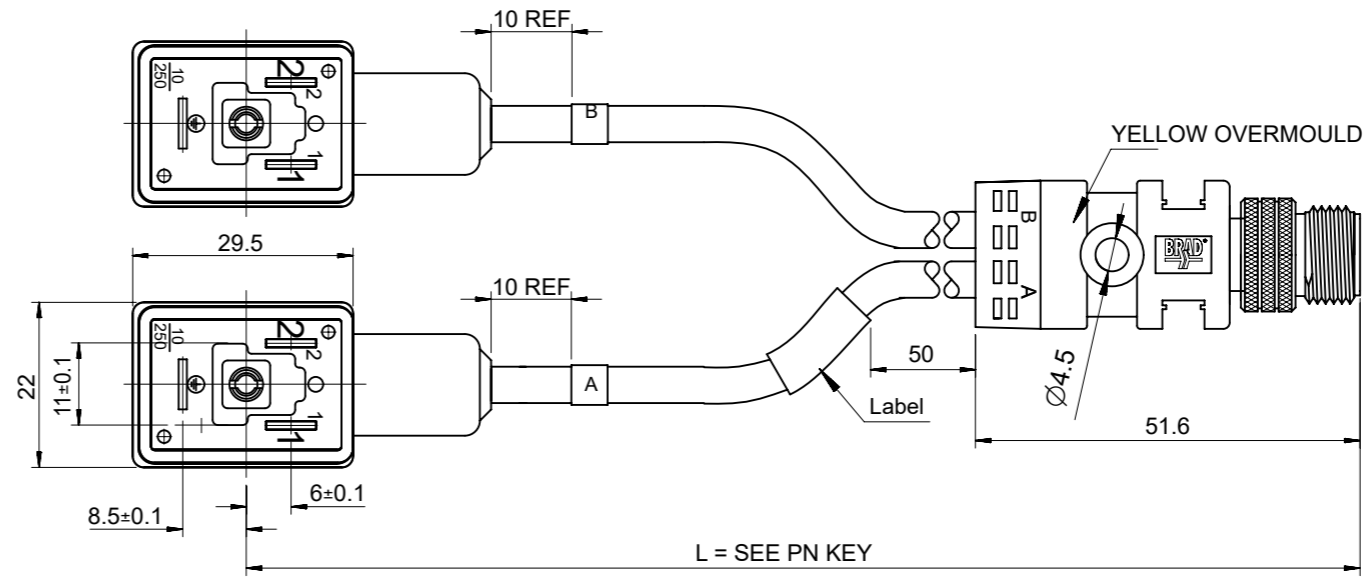
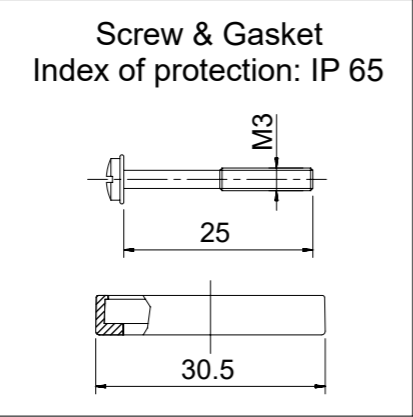


Electrical diagram, DIN CONNECTOR with circuit C4 (VDR)

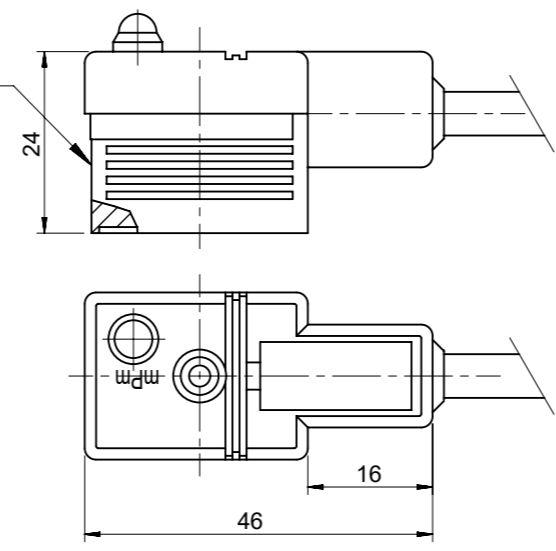


**Table of length tolerances**

Over	Up to and including	Tolerance (+)
0	305	+19
305	915	+45
915	1830	+56
1830	3660	+89
3660	7320	+165
7320	14640	+317
14640	30500	+610
30500	>	+2% of length



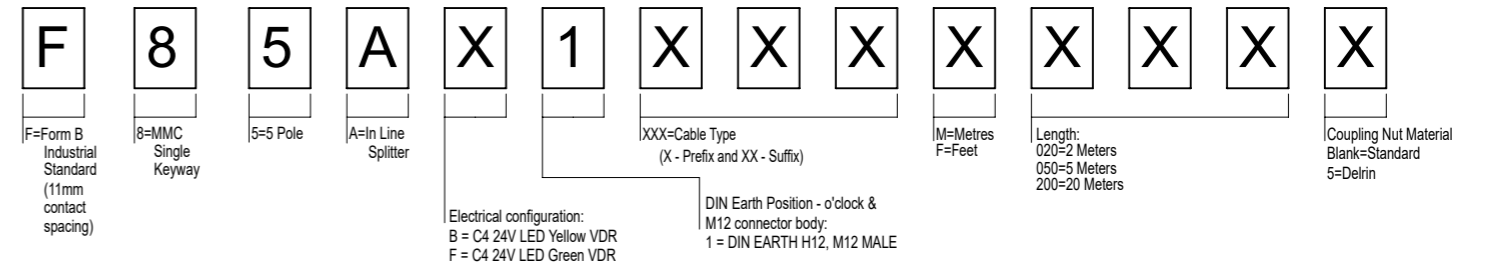
Electrical diagram printed in white



**PN's List**

Engineering number	Molex PN	Cable Length [mm]	Cable type
F85AB1I12M040	1210360486	4000	CEI PVC Grey 0.5mm <sup>2</sup>
F85AB1E12M0155	1210360535	1500	PVC Black 0.5mm <sup>2</sup>
F85AB1P12M010	1210360549	1000	PUR Black 0.5mm <sup>2</sup>
F85AB1E12M006	1210360619	600	PVC Black 0.5mm <sup>2</sup>
F85AB1P12M006	1210360664	600	PUR Black 0.5mm <sup>2</sup>

**PART No MATRIX - PN KEY**



**Notes:**  
1. Dimensions without tolerance are referential.

THIS DRAWING CONTAINS INFORMATION THAT IS PROPRIETARY TO MOLEX ELECTRONIC TECHNOLOGIES, LLC AND SHOULD NOT BE USED WITHOUT WRITTEN PERMISSION

DIMENSION UNITS <b>mm</b>	SCALE <b>NTS</b>	CURRENT REV DESC: OBSOLETE PART NUMBER AS PER PCN 508518	<b>molex</b>		
GENERAL TOLERANCES (UNLESS SPECIFIED)		EC NO: 671087			
4 PLACES ±	MM INCH	DRWN: RPRABHUM 2021/06/03	PRODUCT CUSTOMER DRAWING		
3 PLACES ±		CHK'D: GGA 2021/08/06	DOCUMENT NUMBER		
2 PLACES ±		APPR: GGA 2021/08/06	SD-121036-010		
1 PLACE ±		INITIAL REVISION:	DOC TYPE DOC PART REVISION		
0 PLACES ±		DRWN: JMARSZALEK 2013/07/12	PSD 001 A2		
ANGULAR TOL ± °		APPR: MIWASIECZKO 2014/01/30	SHEET NUMBER		
DRAFT WHERE APPLICABLE MUST REMAIN WITHIN DIMENSIONS	THIRD ANGLE PROJECTION	DRAWING	SERIES	MATERIAL NUMBER	CUSTOMER
		A3-SIZE	121036	SEE PN KEY	GENERAL MARKET
					1 OF 1