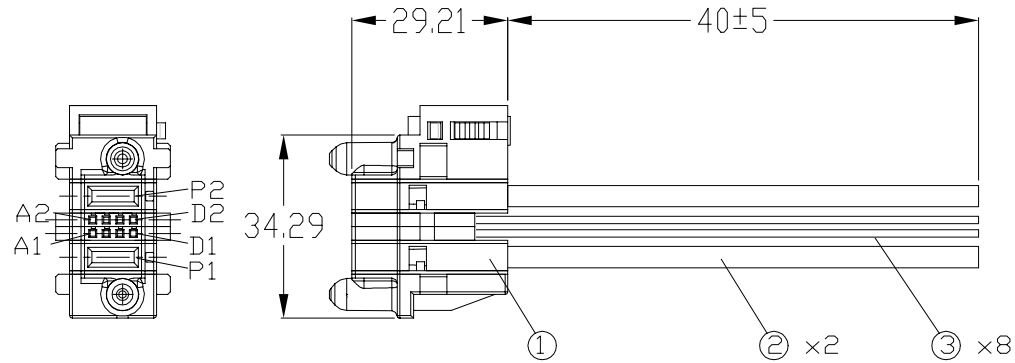


PRODUCT NUMBER  
NOTE 3

10080594-4KB0549LF



END 1  
FCI P/N:10129998-001

wiring list

END1	WIRE SPEC.
P1	12AWG WIRE,UL1015,BLACK
P2	12AWG WIRE,UL1015,BLACK
A1	24AWG WIRE,UL1007,BLUE
B1	24AWG WIRE,UL1007,BLUE
C1	24AWG WIRE,UL1007,BLUE
D1	24AWG WIRE,UL1007,BLUE
A2	24AWG WIRE,UL1007,BLUE
B2	24AWG WIRE,UL1007,BLUE
C2	24AWG WIRE,UL1007,BLUE
D2	24AWG WIRE,UL1007,BLUE

No.	DESCRIPTION	QTY	UNIT
3	24AWG WIRE,UL1007,BLUE	AR	M
2	12AWG WIRE,UL1015,BLACK	AR	M
1	1P8S1P STL PM RECEPTACLE HOUSING KIT	1	EA

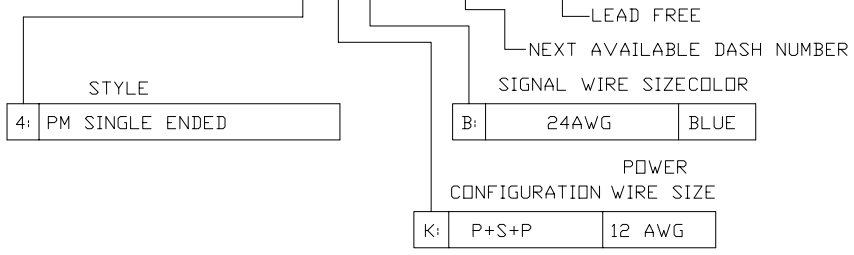
spec ref	-	dr	William He	2014-07-25	projection	size	A3	scale	N/A															
tolerance std	TOLERANCES UNLESS OTHERWISE SPECIFIED	eng	William He	2014-07-25				mm	ech no	-														
-		chr	Guo-Feng Jin	2014-07-25	product family	rel level			-															
surface	<table border="1"> <tr> <td>linear</td> <td>0.X</td> <td>± -</td> </tr> <tr> <td></td> <td>0.XX</td> <td>± 0.25</td> </tr> <tr> <td></td> <td>0.XXX</td> <td>± -</td> </tr> <tr> <td>angular</td> <td>0~</td> <td>± -'</td> </tr> </table>	linear	0.X	± -			0.XX	± 0.25		0.XXX	± -	angular	0~	± -'	appr	Guo-Feng Jin	2014-07-25			title	Pwrblade 1P8S1P STL PM RECEPTACLE CABLE ASSEMBLY	dwg no	10080594-4KB0549LF	rev
linear	0.X	± -																						
	0.XX	± 0.25																						
	0.XXX	± -																						
angular	0~	± -'																						
-		www.fci.com	cat. no.	-	Customer Drawing		sheet 1 of 2																	

NOTES:

- 1. END1 MATE WITH FCI HEADER PART NUMBER \*\*\*\*
- 2. UNLESS OTHERWISE SPECIFIED ASSEMBLED LENGTH TOLERANCE =  
 < 1 METER:±15.0mm  
 1 METER TO 10 METER:±2% OF "DIM L"  
 > 10 METER:+0.00%-4% OF "DIM L"
- 3. PART NUMBER DESCRIPTION:

BASE NUMBER      DASH NUMBER

1 0 0 8 0 5 9 4 - 4 K B 0 5 4 9 L F



- 4. ALL CABLE ASSEMBLIES SHALL BE TESTED 100% FOR CONTINUITY AS DEFINED IN WIRING LIST.
- 5. UNLESS OTHERWISE SPECIFIED ALL CABLE ASSEMBLIES SHALL BE 100% HI-POT TESTED BY APPLYING 300V DC FOR MINIMUM OF 10ms, DIELECTRIC RESISTANCE 10MΩ MIN. CONNECTION RESISTANT 1.0Ω MAX. UNLESS ACTIVE COMPONENTS ARE USED IN THIS ASSEMBLY
- 6. ALL CUSTOMER DRAWINGS ARE SUPPLIED WITH METRIC DIMENSIONS.
- 7. LEAD FREE PRODUCTS MEET EUROPEAN UNION DIRECTIVES AND OTHER COUNTRY REGULATIONS AS DESCRIBED IN GS-47-0004.  
  
LEAD FREE SOLDER TAIL PLATING 2.00um (80u") MIN. MATTE TIN OVER 1.27um (50u") MIN. NICKEL UNDERPLATE.  
  
PACKAGING OF LEAD FREE PRODUCTS MEETS LABELING AND PACKAGING SPECIFICATION GS-14-920.
- 8. CONNECTOR ASSEMBLIES SHOWN ARE FOR REFERENCE ONLY AND MAY NOT SHOW ALL PART DETAIL. REFERENCE CONNECTOR HOUSING DRAWINGS FOR COMPLETE DETAILS.
- 9. GLOBAL STANDARDS FOR CABLE PACKAGING: GS-14-1093.
- 10. THIS DIMENSION IS A FINISHED PRODUCT LENGTH.
- 11. CABLE: UL APPROVED  
HOUSING: HIGH TEMP. THERMOPLASTIC, UL94V-0 GLASS FILLED,  
COLOR: BLACK  
POWER CONTACTS: COPPER ALLOY



Copyright FCI

spec ref	-	dr	William He	2014-07-25	projection		size	A3	scale	N/A												
tolerance std	TOLERANCES UNLESS OTHERWISE SPECIFIED	eng	William He	2014-07-25			ecn no	-														
		chr	Guo-Feng Jin	2014-07-25			rel level	-														
		appr	Guo-Feng Jin	2014-07-25	product family																	
surface	<table border="1"> <tr><td>linear</td><td>0.X</td><td>± -</td></tr> <tr><td></td><td>0.XX</td><td>± 0.25</td></tr> <tr><td></td><td>0.XXX</td><td>± -</td></tr> <tr><td>angular</td><td>0~</td><td>± -'</td></tr> </table>	linear	0.X	± -		0.XX	± 0.25		0.XXX	± -	angular	0~	± -'		title	Pwrblade 1P8S1P STL PM RECEPTACLE CABLE ASSEMBLY		dwg no	10080594-4KB0549LF		rev	A
linear	0.X	± -																				
	0.XX	± 0.25																				
	0.XXX	± -																				
angular	0~	± -'																				
		www.fci.com	cat. no.	-	Customer Drawing				sheet 2 of 2													