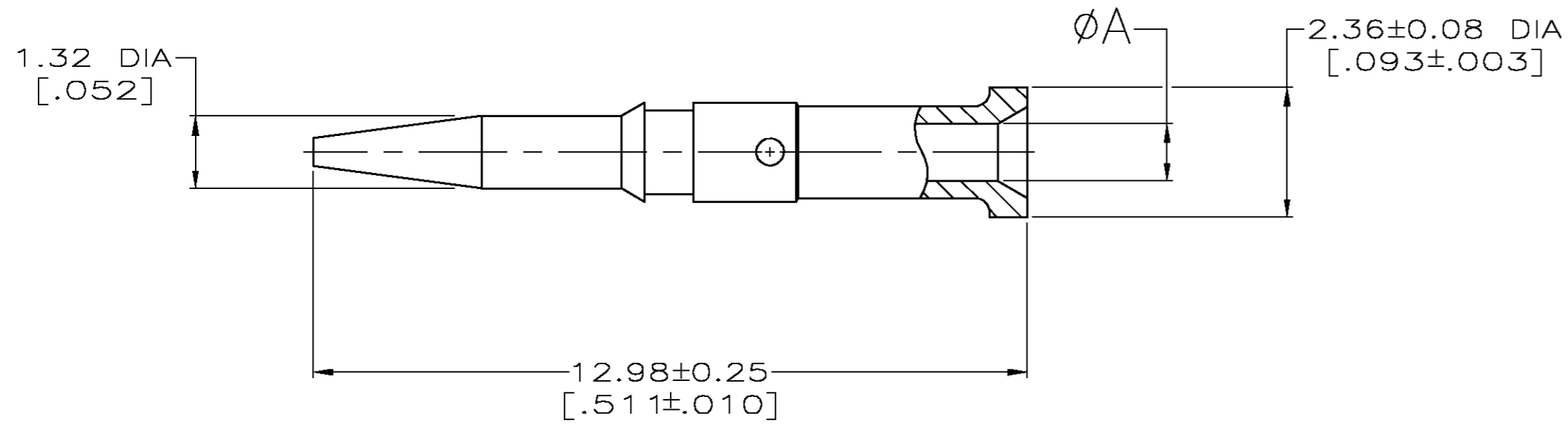


THIS DRAWING IS UNPUBLISHED. RELEASED FOR PUBLICATION
 © COPYRIGHT BY TYCO ELECTRONICS CORPORATION. ALL RIGHTS RESERVED.

LOC	DIST	REVISIONS					
		P	LTR	DESCRIPTION	DATE	DWN	APVD
AJ	16		H	REV PER 0514-0336-04	09-28-04	JDP	JL



- 1 TIN-LEAD PL PER ASTM-B-545
- 2 GOLD PL PER MIL-G-45204
- 3 SILVER PL PER QQ-S-365
- 4 TIN PL PER ASTM-B-545 WITH SUPPLEMENTAL ANTI-FRETTING LUBRICANT.
- 5. BRASS PER ASTM B-16

OBSOLETE

4	0.38 [.015]	9-221607-4
4	0.61 [.024]	9-221607-3
4	0.79 [.031]	9-221607-2
4	0.79 [.031]	9-221607-1
4	0.99 [.039]	9-221607-0
2	1.19 [.047]	2-221607-8
3	0.38 [.015]	2-221607-6
2	0.38 [.015]	2-221607-5
1	0.38 [.015]	2-221607-4
2	0.61 [.024]	2-221607-2
3	0.61 [.024]	2-221607-1
1	0.61 [.024]	2-221607-0
3	1.12 [.044]	1-221607-8
1	1.12 [.044]	1-221607-7
2	1.12 [.044]	1-221607-6
2	0.79 [.031]	1-221607-4
3	0.79 [.031]	221607-8
3	0.99 [.039]	221607-7
2	0.79 [.031]	221607-6
2	0.99 [.039]	221607-5
1	0.79 [.031]	221607-4
1	0.99 [.039]	221607-2

FINISH ØA PART #

THIS DRAWING IS A CONTROLLED DOCUMENT.		DWN M. SNEED 5-10-90	Tyco Electronics Corporation Harrisburg, Pa 17105-3608	
DIMENSIONS: INCHES		CHK D. LAMAN 7-6-90	APVD	
TOLERANCES UNLESS OTHERWISE SPECIFIED:		NAME		
0 PLC ± -	1 PLC ± -	PRODUCT SPEC		
2 PLC ± -	3 PLC ± .002	APPLICATION SPEC		
4 PLC ± -	ANGLES ± -	WEIGHT		
FINISH SEE TABLE		SIZE CAGE CODE DRAWING NO		RESTRICTED TO
		A2 00779 C=221607		
		CUSTOMER DRAWING		SCALE 10:1 SHEET 1 OF 1 REV H