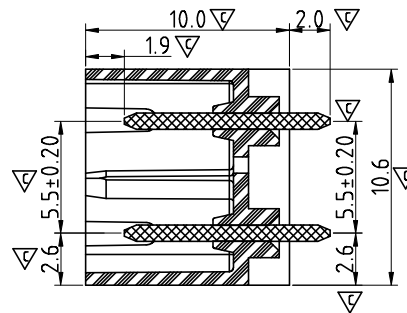


P.C.B Layout  
Top view



SECTION P-P

$$\text{DimL} = (N/2 - 1) \times 3.5 + 4.30$$

$$\text{DimB} = (N/2 - 1) \times 3.5$$

$$\text{DimC} = (N/2 - 1) \times 3.5$$

N=Number of poles

POLES	Dim. Tol.	Dim.L/B/C
2x2p-2x6p		±0.15
2x7p-2x12p		±0.25
2x13p-2x18p		±0.30
2x19p-2x24p		±0.35

SIGN	DATE	DESCRIPTION	APPROVER
△	2014/12/18	Update drawing	
△			
△			

THIS IS CAD DRAWING, DO NOT REVISE MANUALLY!!!

Material:

- Item ① Terminal housing: LCP (UL94V-0) Halogen free
- Item ② Male contact pin: Copper, Matte Tin plated

Electrical: cULus

- Voltage rating: 300V
- Current rating: 5.5A
- Withstanding Voltage: 1.6KV
- Operating temperature: -40°C to +130°C △
- Reflow Soldering temperature: 260°C/10 Sec max.
- Safety Approval:
- Critical dimension:

NR xx 1 1 x 0 xxxx G

No. OF POLES

04: 2x2 POLES

06: 2x3 POLES

...

48: 2x24 POLES

COLOR  
0: BLACK

RoHS compliant  
(lead<4%)  
In copper Alloy

00G0: "@" Logo (Standard)

00GA: "ANYTEK" Mark

Any special item by  
customer request.  
please contact sales  
department.

# ANYTEK

## CUSTOMER COPY

ALL RIGHTS RESERVED. REPRODUCTION OR ISSUE TO THIRD PARTIES IN ANY FORM WHATSOEVER IS NOT PERMITTED WITHOUT WRITTEN AUTHORITY FROM THE PROPRIETOR. PROPERTY OF ANYTEK TECHNOLOGY CO., LTD

TITLE		NR 3.5mm series close vertical (THR type)			
PART NO.	NRxx11x0xxxxG	DWG NO.	8NR0004		
APPROVED	CHECKED	DESIGNED	DRAWN	CUST NO.	Tolerance
		Airy min 2014.12.18	Airy min 2014.12.18		X. ±0.50
				UNIT: mm	X.X ±0.30
				SCALE: NONE	X.XX ±0.10
				SHEET: 01/01	X° ±1°
				REV.: B	