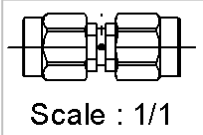
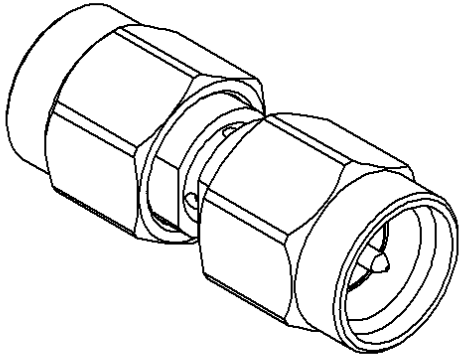
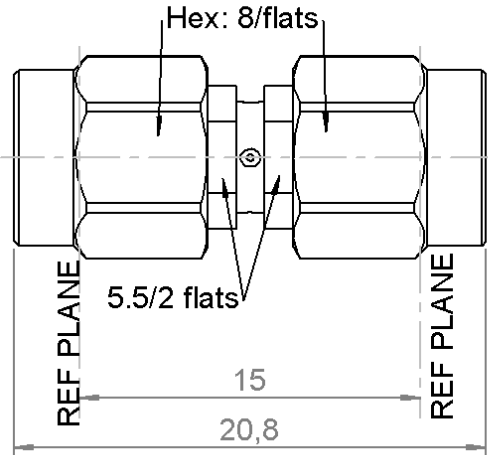
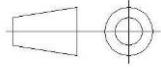


PAGE 1/2	ISSUE 28-02-17C	SERIES SMA	PART NUMBER R125703000
----------	-----------------	------------	------------------------



All dimensions are in mm.



COMPONENTS	MATERIALS	PLATING (µm)
Body	STAINLESS STEEL	GOLD 0.5 OVER NICKEL 2
Center contact	BRASS	GOLD 2.5 OVER NICKEL 2
Outer contact	-	-
Insulator	PTFE	-
Gasket	SILICONE RUBBER	-
Others parts	STAINLESS STEEL	GOLD 0.5 OVER NICKEL 2
-	-	-
-	-	-

PAGE 2/2	ISSUE 28-02-17C	SERIES SMA	PART NUMBER R125703000
----------	-----------------	------------	------------------------

PACKAGING

Standard	Unit	Other
100	Contact us	Contact us

ELECTRICAL CHARACTERISTICS

Impedance		50	Ω
Frequency		0-18	GHz
VSWR	1.20	+	0,0000 x F(GHz) Maxi
Insertion loss		0.05	√F(GHz) dB Maxi
RF leakage	- (100	- F(GHz) dB Maxi
Voltage rating		500	Veff Maxi
Dielectric withstanding voltage		1000	Veff mini
Insulation resistance		5000	MΩ mini

ENVIRONMENTAL

Operating temperature	-65/+165	°C
Hermetic seal	NA	Atm.cm3/s
Panel leakage	NA	

MECHANICAL CHARACTERISTICS

Center contact retention			
Axial force – Mating End		27	N mini
Axial force – Opposite end		27	N mini
Torque		2.8	N.cm mini
Recommended torque			
Mating		90	N.cm
Panel nut		NA	N.cm
Mating life		500	Cycles mini
Weight		4,9000	g

SPECIFICATION

OTHER CHARACTERISTICS

Assembly instruction:**NA**

Others:

-