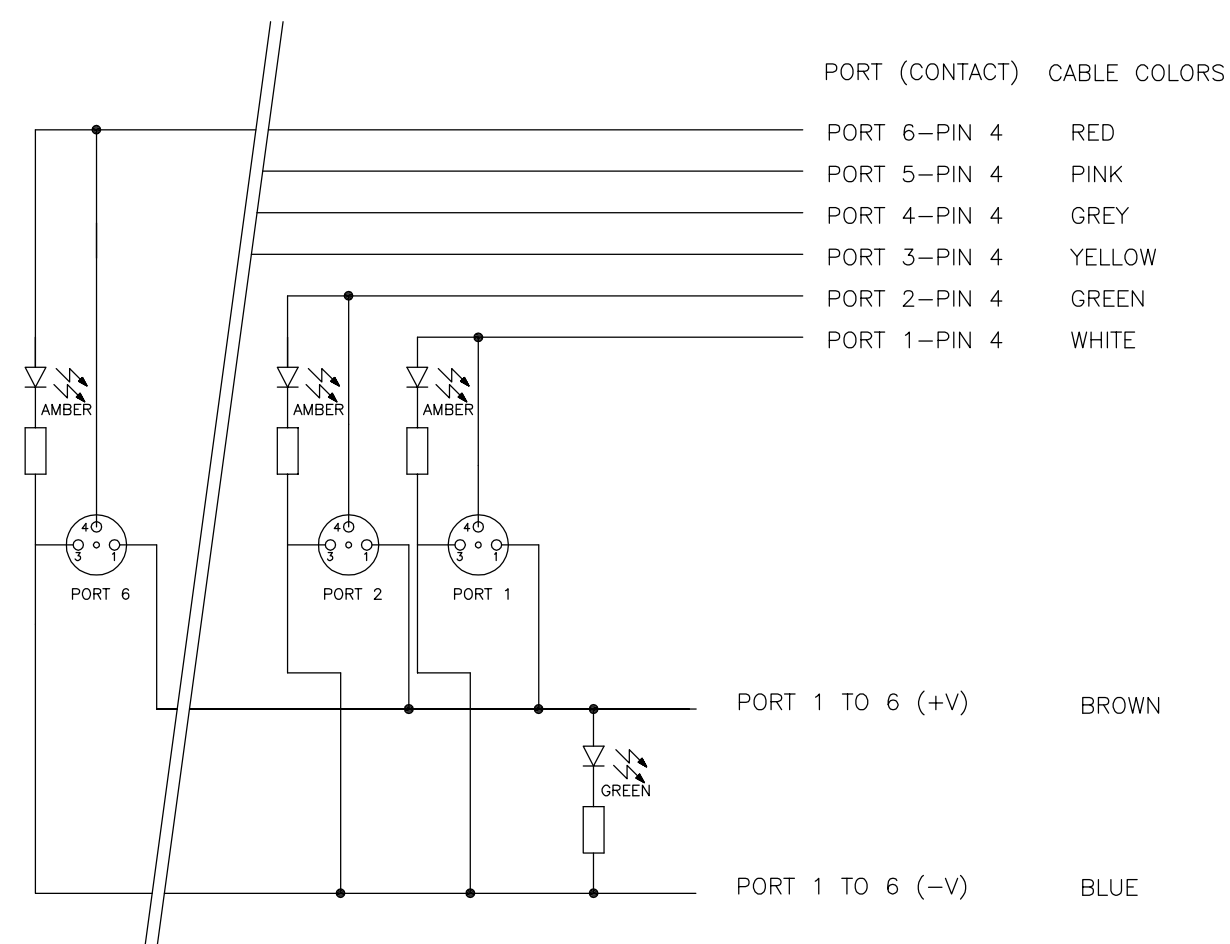
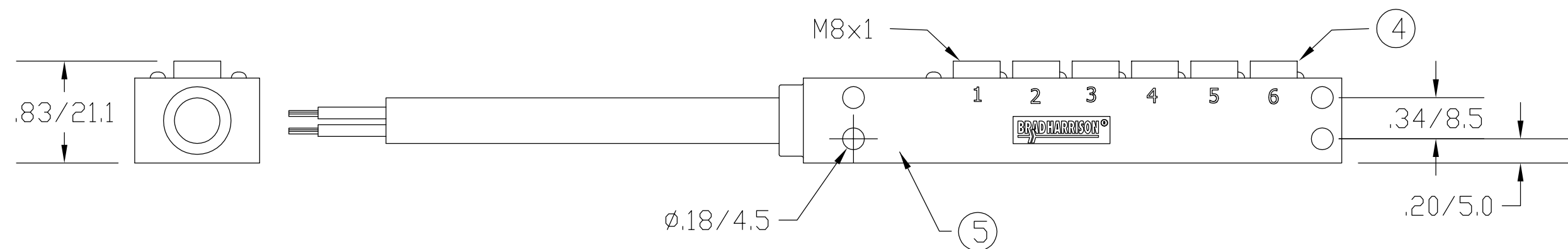
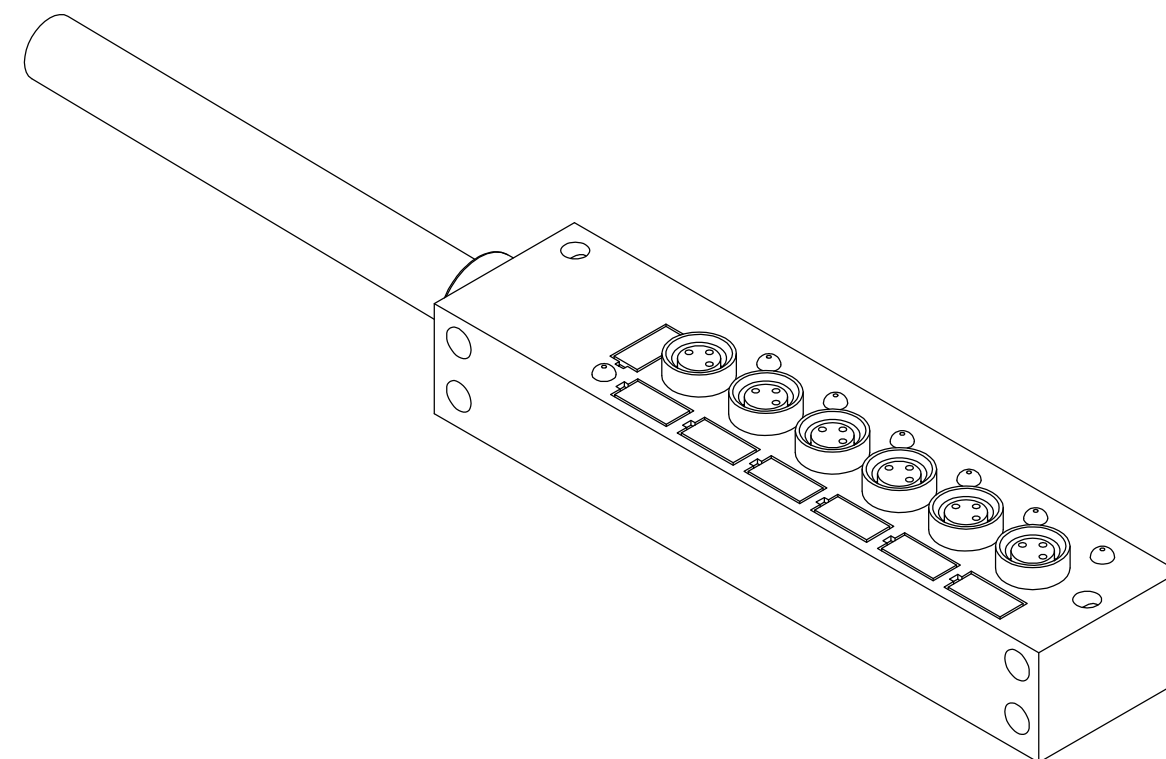
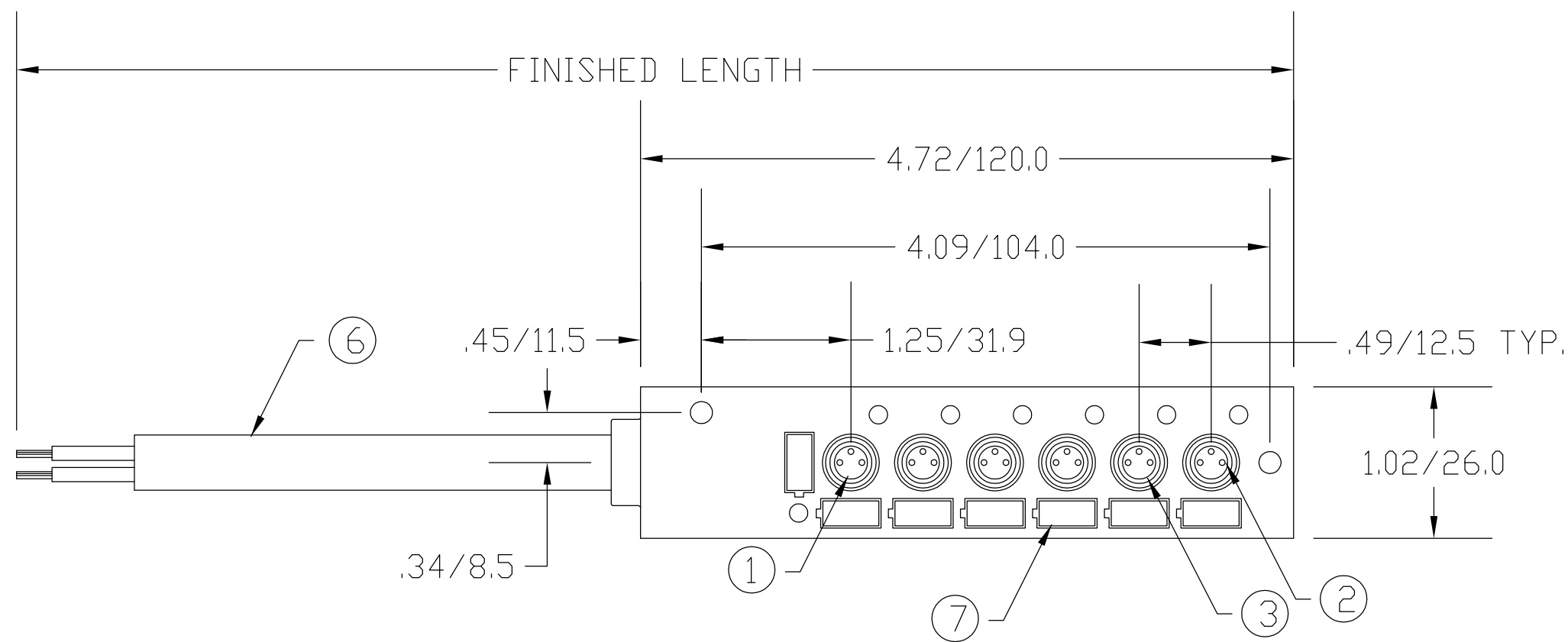


MATERIAL NUMBER	OLD PART NUMBER	FINISHED LENGTH
120113-0011	BEY601P-FBP-05	16.40' +6.50" -0 [5.0M +165.1 -0]



WIRING DIAGRAM

VOLTAGE RATING	10-30 VDC
AMPERAGE RATING PER PORT	2 AMPS
PROTECTION	IP67
OPERATING TEMPERATURE	-20°C TO 90°C

ITEM	COMPONENT	MATERIAL	FINISH
1	INSERT	POLYESTER	YELLOW
2	CONTACT SOCKET	COPPER ALLOY	GOLD OVER NICKEL
3	O-RING	VITON	RED
4	RECEPTACLE SHELL	BRASS	NICKEL PLATED
5	HOUSING	NYLON	YELLOW
6	CABLE- 18AWG, 2 CONDUCTOR; 22 AWG, 6 CONDUCTOR, 300V	PVC	YELLOW
7	LABEL	ABS	WHITE

RLSD DRAWING EC NO: WNA2009-0641 DRWN: BWOODMAN 3/31/09 CH'KD: JM APPR: JFMURPHY 2009/04/08	DESCRIPTION REV	QUALITY SYMBOL ▽=0 ◁=0	GENERAL TOLERANCES (UNLESS SPECIFIED) <table border="1"> <thead> <tr> <th></th> <th>mm</th> <th>INCH</th> </tr> </thead> <tbody> <tr> <td>4 PLACES</td> <td>±----</td> <td>±----</td> </tr> <tr> <td>3 PLACES</td> <td>±----</td> <td>±----</td> </tr> <tr> <td>2 PLACES</td> <td>±----</td> <td>±.01</td> </tr> <tr> <td>1 PLACE</td> <td>±0.3</td> <td>±----</td> </tr> </tbody> </table>		mm	INCH	4 PLACES	±----	±----	3 PLACES	±----	±----	2 PLACES	±----	±.01	1 PLACE	±0.3	±----	DIMENSION STYLE IN/MM	SCALE ----	DESIGN UNITS ----	THIRD ANGLE PROJECTION
			mm	INCH																		
		4 PLACES	±----	±----																		
		3 PLACES	±----	±----																		
2 PLACES	±----	±.01																				
1 PLACE	±0.3	±----																				
DRAWN BY: BW DATE: 2009/03/31 CHECKED BY: VO DATE: 2009/03/31 APPROVED BY: _____ DATE: _____	TITLE NANO-CHANGE MPIS 6 PORT PNP SIDE ENTRY 5 METER PUR CABLE																					
DRAFT WHERE APPLICABLE MUST REMAIN WITHIN DIMENSIONS	SEE CHART	MOLEX INCORPORATED																				
SIZE C	THIS DRAWING CONTAINS INFORMATION THAT IS PROPRIETARY TO MOLEX INCORPORATED AND SHOULD NOT BE USED WITHOUT WRITTEN PERMISSION	DOCUMENT NO. SD-120113-001 SHEET NO. 1 OF 1																				