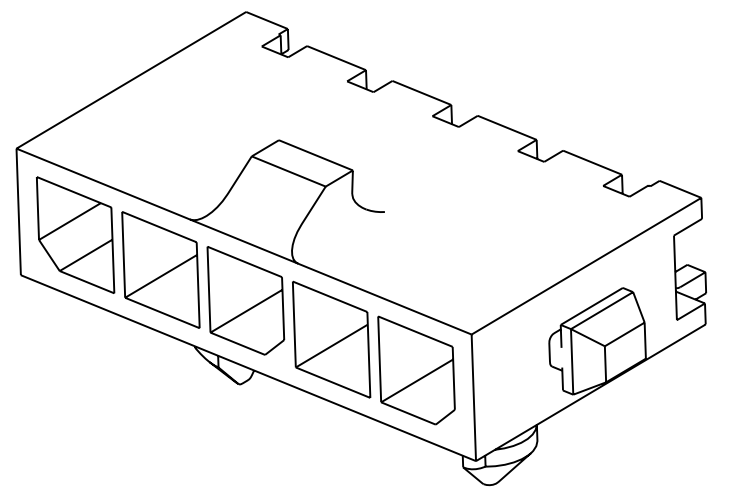
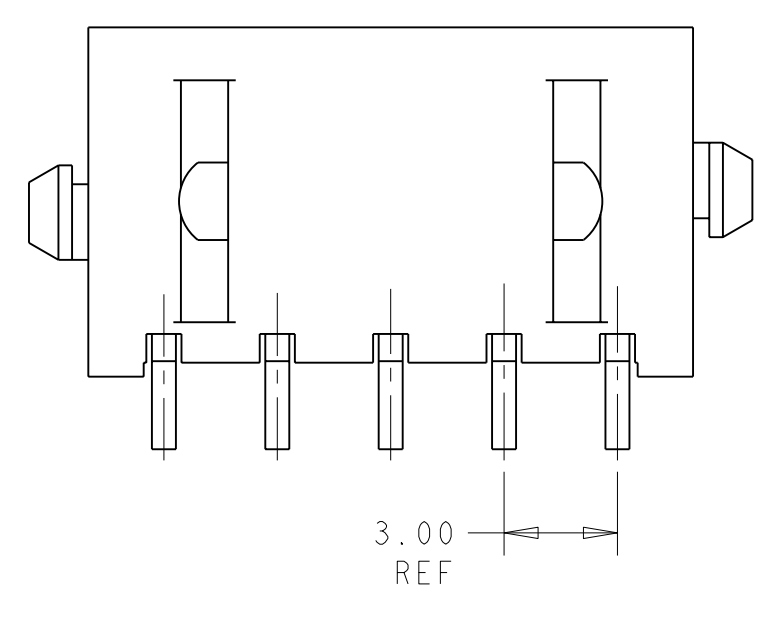
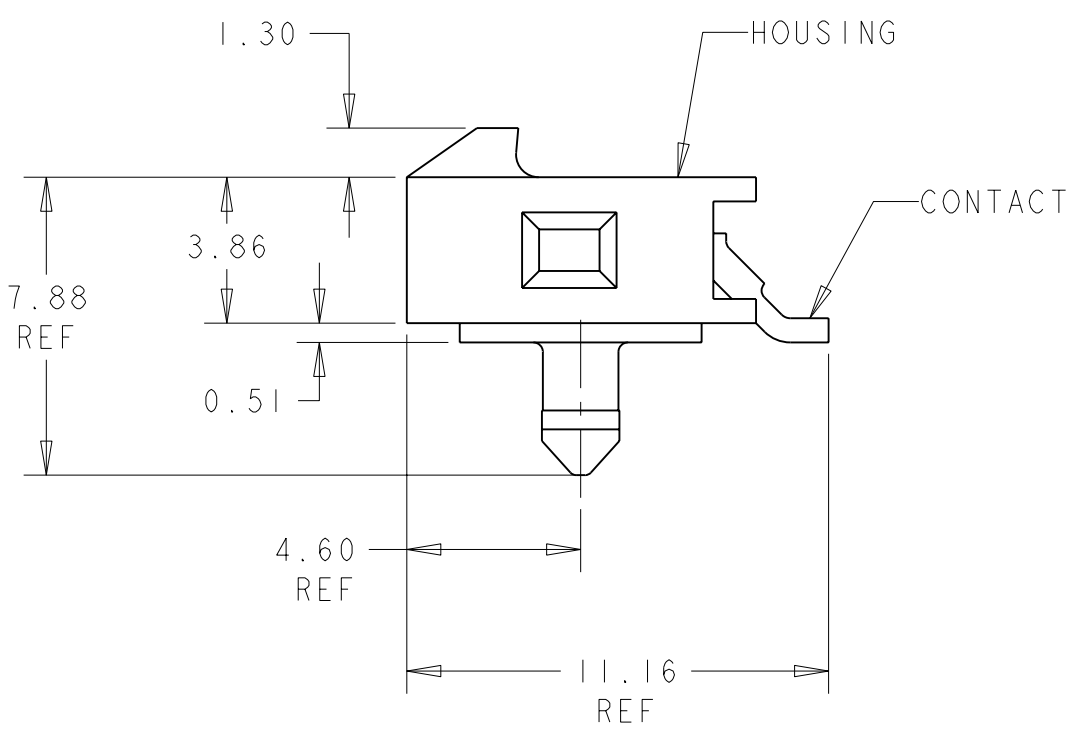
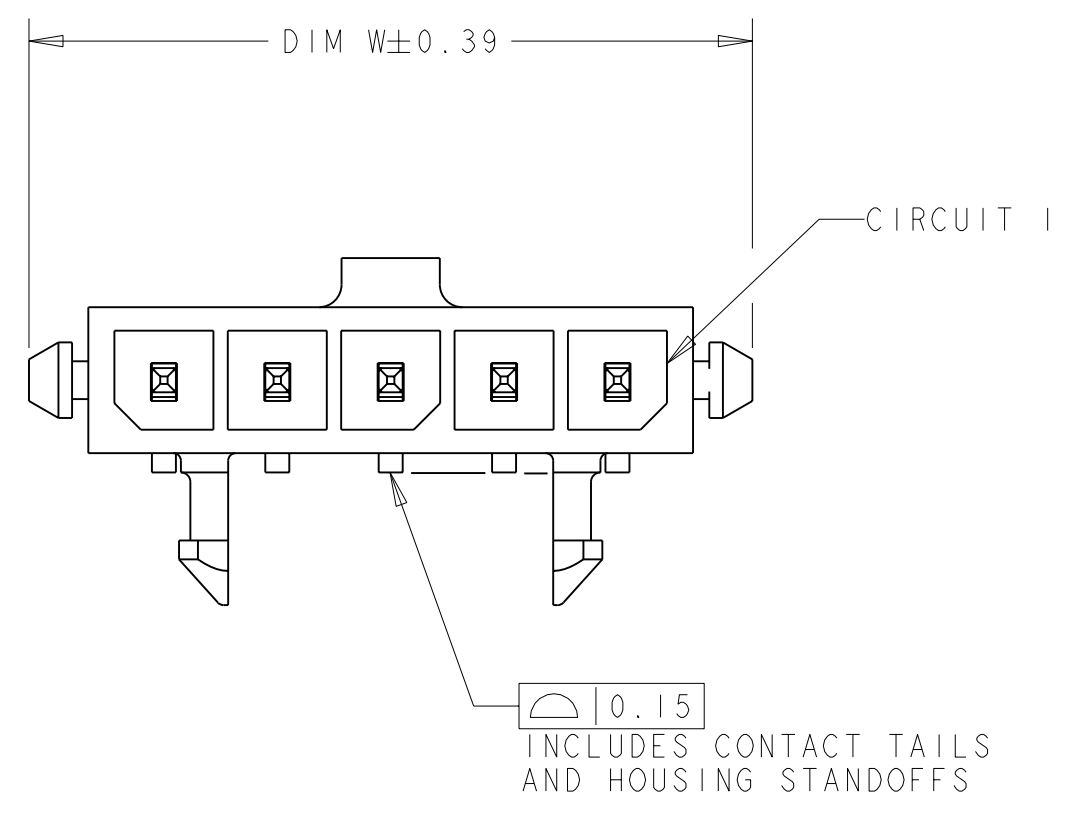


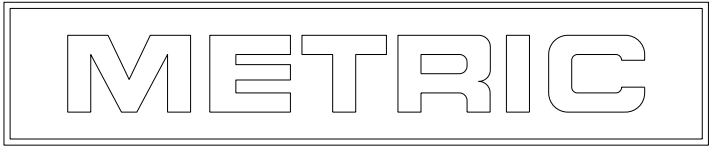
THIS DRAWING IS UNPUBLISHED. RELEASED FOR PUBLICATION .19
 BY AMP INCORPORATED. ALL RIGHTS RESERVED.

LOC	DIST	REVISIONS					
CM	00	P	LTR	DESCRIPTION	DATE	DWN	APVD
		B		REVISED PER 0G3B-0206-05	10-MAY-05	KW	CJ



- 1 MATERIAL: CONTACTS - BRASS
HOUSING - UL 94V-O RATED HIGH TEMP NYLON, COLOR BLACK.
- 2 PLATING: CONTACTS - 0.76µm MINIMUM GOLD ON MATING AREA,
2.5µm MINIMUM TIN LEAD ON SOLDER TAILS, BOTH OVER 1.27µm
MINIMUM NICKEL.
- 4 RECOMMENDED PC BOARD THICKNESS OF 1.57.
- 5 PLATING: CONTACTS - 0.76µm MINIMUM GOLD ON MATING AREA,
2.5µm MINIMUM MATTE TIN ON SOLDER TAILS, BOTH OVER 1.27µm
MINIMUM NICKEL.

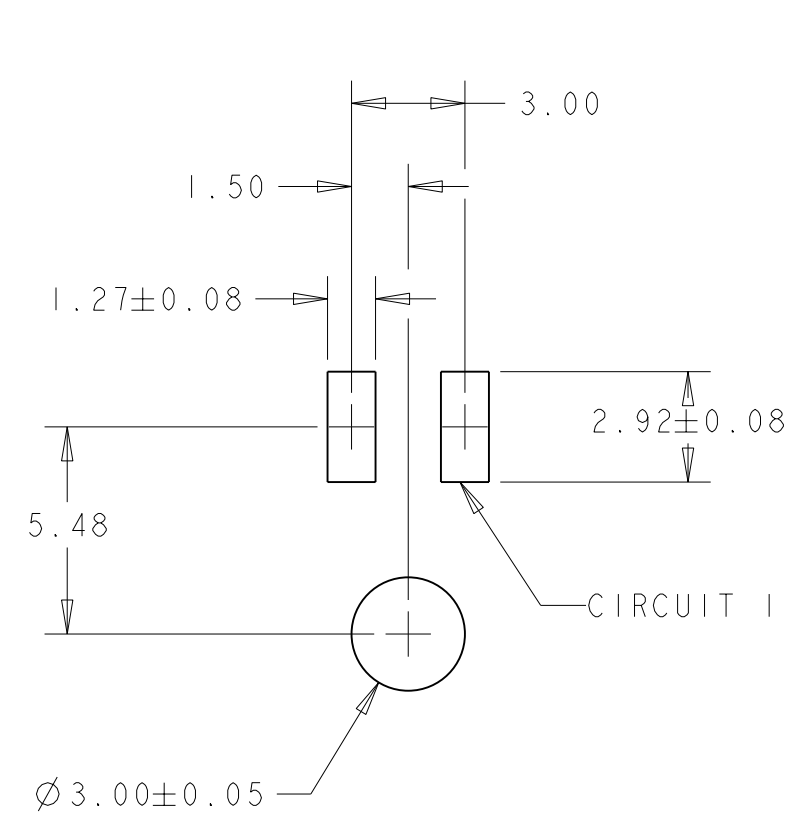
FINISH	DIM Z	DIM V	DIM T	DIM W	NO. OF POSN	PART NUMBER
5	33.00	28.70	33.00	40.00	12	3-1445101-2
5	30.00	25.70	30.00	37.00	11	3-1445101-1
5	27.00	22.70	27.00	34.00	10	3-1445101-0
5	24.00	19.70	24.00	31.00	9	2-1445101-9
5	21.00	16.70	21.00	28.00	8	2-1445101-8
5	18.00	13.70	18.00	25.00	7	2-1445101-7
5	15.00	10.70	15.00	22.00	6	2-1445101-6
5	12.00	7.70	12.00	19.00	5	2-1445101-5
5	9.00	4.70	9.00	16.00	4	2-1445101-4
5	-	-	6.00	13.00	3	2-1445101-3
5	-	-	3.00	10.00	2	2-1445101-2
2	33.00	28.70	33.00	40.00	12	1-1445101-2
2	30.00	25.70	30.00	37.00	11	1-1445101-1
2	27.00	22.70	27.00	34.00	10	1-1445101-0
2	24.00	19.70	24.00	31.00	9	1445101-9
2	21.00	16.70	21.00	28.00	8	1445101-8
2	18.00	13.70	18.00	25.00	7	1445101-7
2	15.00	10.70	15.00	22.00	6	1445101-6
2	12.00	7.70	12.00	19.00	5	1445101-5
2	9.00	4.70	9.00	16.00	4	1445101-4
2	-	-	6.00	13.00	3	1445101-3
2	-	-	3.00	10.00	2	1445101-2



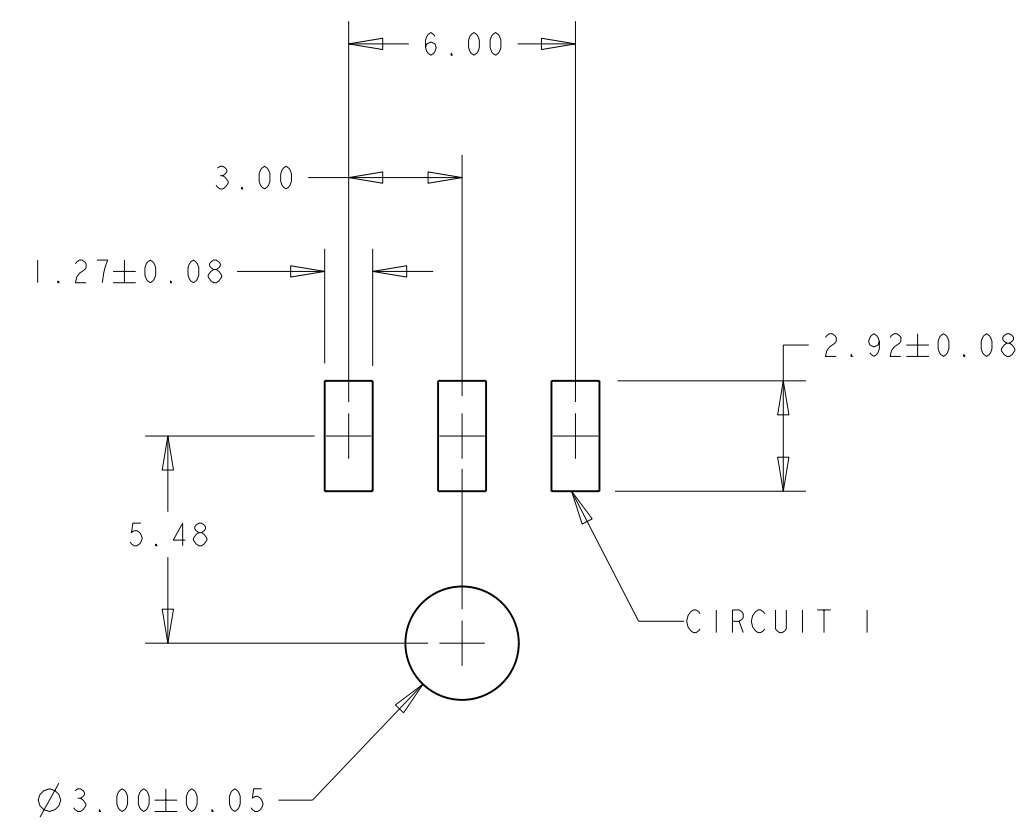
<small>THIS DRAWING IS A CONTROLLED DOCUMENT FOR AMP INCORPORATED. IT IS SUBJECT TO CHANGE AND THE CONTROLLING ENGINEERING ORGANIZATION SHOULD BE CONTACTED FOR THE LATEST REVISION.</small>		DWN J. ROOT 09OCT2000 CHR K. WHITAKER 17-APR-2001 APVD C. JONES 17-APR-2001	AMP Tyco Electronics Harrisburg, PA 17105-3608
DIMENSIONS: mm	TOLERANCES UNLESS OTHERWISE SPECIFIED: 0 PLC ± 1 PLC ± 2 PLC ±0.13 3 PLC ± 4 PLC ± ANGLES ± FINISH SEE TABLE	PRODUCT SPEC APPLICATION SPEC WEIGHT	NAME RIGHT ANGLE SURFACE MNT HEADER ASSY, 0.76 MIC GOLD CONTACTS, W/PLASTIC HOLDDOWNS, SGL ROW MICRO MATE-N-LOK
MATERIAL	1	SIZE A2	CAGE CODE 00779
CUSTOMER DRAWING		DRAWING NO. C=1445101	SCALE 5:1 SHEET 1 OF 2 REV B

THIS DRAWING IS UNPUBLISHED. RELEASED FOR PUBLICATION .19
 BY AMP INCORPORATED. ALL RIGHTS RESERVED.

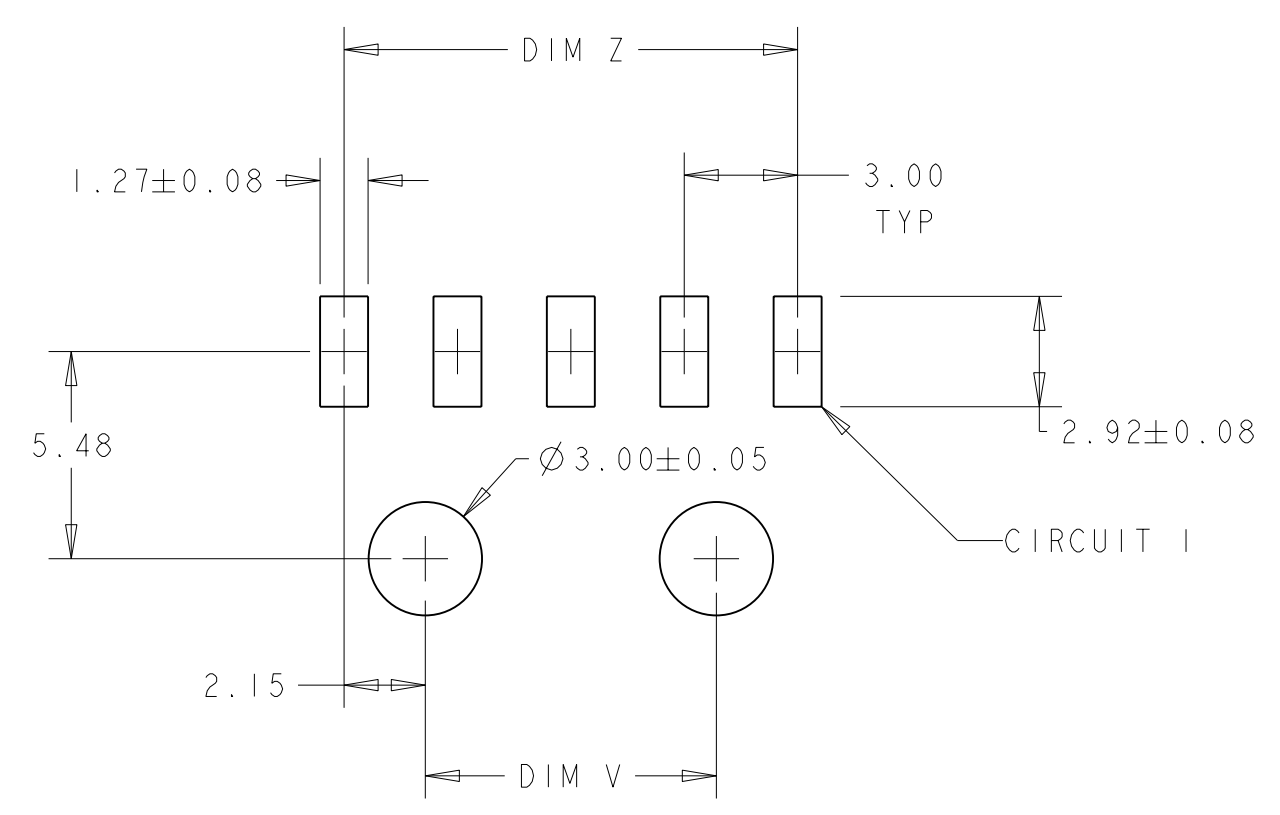
LOC	DIST	REVISIONS			
P	LTR	DESCRIPTION	DATE	DWN	APVD
CM	00	SEE SHEET 1	-	-	-



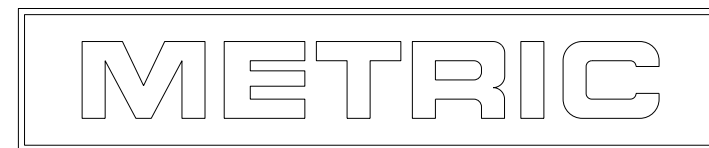
PCB LAYOUT FOR 2 POSITION COMPONENT SIDE



PCB LAYOUT FOR 3 POSITION COMPONENT SIDE



PCB LAYOUT FOR 4-12 POSITION COMPONENT SIDE



THIS DRAWING IS A CONTROLLED DOCUMENT FOR AMP INCORPORATED. IT IS SUBJECT TO CHANGE AND THE CONTROLLING ENGINEERING ORGANIZATION SHOULD BE CONTACTED FOR THE LATEST REVISION.		DWN J. ROOT 09OCT2000	AMP Tyco Electronics Harrisburg, PA 17105-3608	
DIMENSIONS: mm	TOLERANCES UNLESS OTHERWISE SPECIFIED:	CHR K. WHITAKER 17-APR-2001	NAME RIGHT ANGLE SURFACE MNT HEADER ASSY, 0.76 MIC GOLD CONTACTS, W/PLASTIC HOLDDOWNS, SGL ROW. MICRO MATE-N-LOK	
	0 PLC ± 1 PLC ± 2 PLC ±0.13 3 PLC ± 4 PLC ± ANGLES ± FINISH	APVD C. JONES 17-APR-2001	PRODUCT SPEC	SIZE A2
MATERIAL -	SEE TABLE	APPLICATION SPEC	WEIGHT -	CAGE CODE 00779
		CUSTOMER DRAWING		DRAWING NO C=1445101
				SCALE 5:1 SHEET 2 OF 2 REV B