

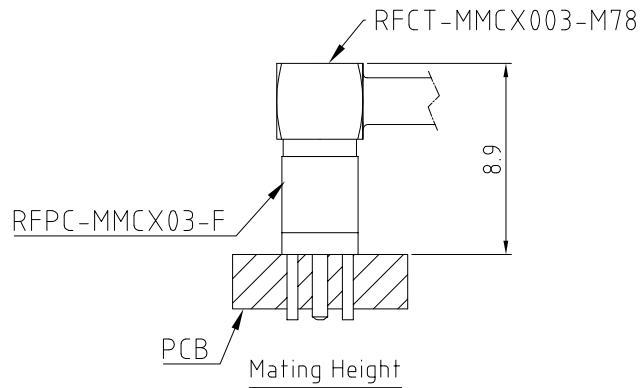
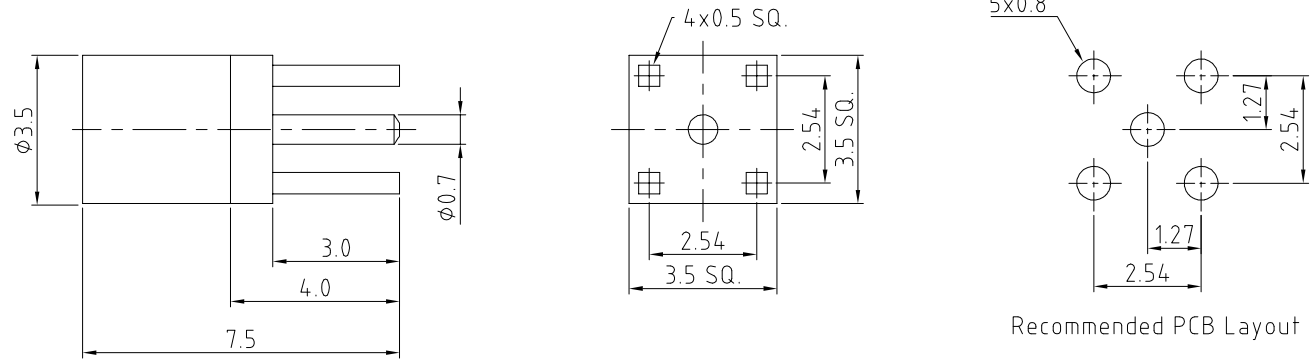
RFPC-MMCX03-F : MMCX Straight Jack, PCB Mount Type

Material and Plating:

Insulator: PTFE
Pin: Be Cu, Gold
Body: Brass, Gold

Specification:

Durability: 500 Mating Cycles Min.
Operating Temperature: -40°C~+125°C
Working Frequency Range: DC~6GHz
Impedance: 50 Ohm.
Packaging: Bulk in Tray



REV. DATE & DRN
10 20/05/19 - NYW RELEASE
11 24/02/20 - NYW ADD MATING HEIGHT DIAGRAM
12 27/07/20 - NYW AMEND OPERATING TEMP.
13 14/02/23 - NYW ADD IMPEDANCE

Scale: NTS	THIRD ANGLE	Unstated X ±0.2 .XX ±0.2 .XXX ±0.2 ANGLES ±5	Tolerances: ±0.2 ±0.2 ±0.2 ±5	Material SEE NOTE
Drawn: NYW				
App'd: XXX	Title JACK	NOT TO SCALE		
Date: 14 FEB. '23	Revision: 13	Unit: mm		

© THIS DRAWING IS CONFIDENTIAL AND MUST NOT BE COPIED OR DISCLOSED WITHOUT WRITTEN CONSENT

Type: RFPC-MMCX03-F
RFPC-MMCX03-F
Drawing Number:
Sheet 1 of 1
Drawing © E and O E