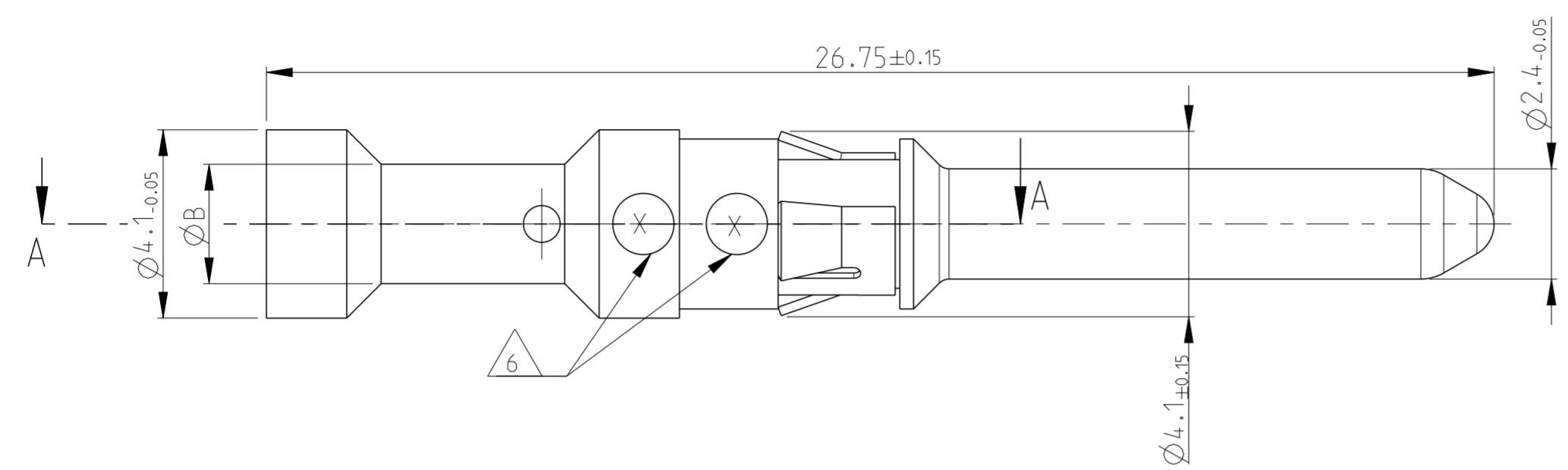
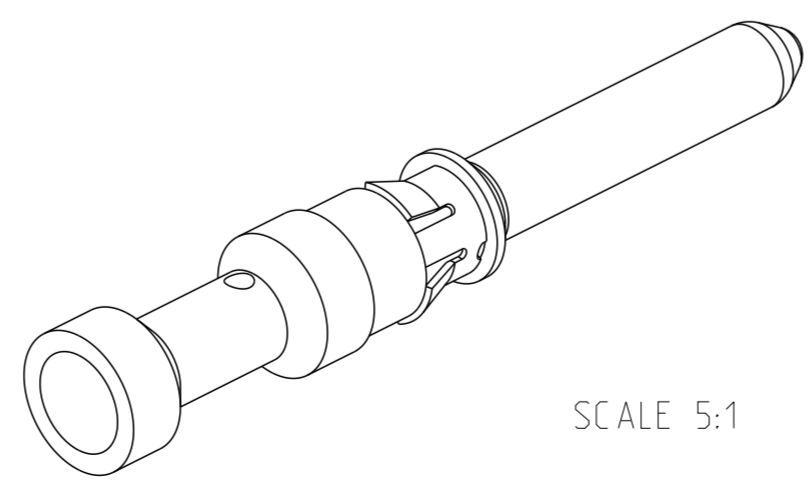
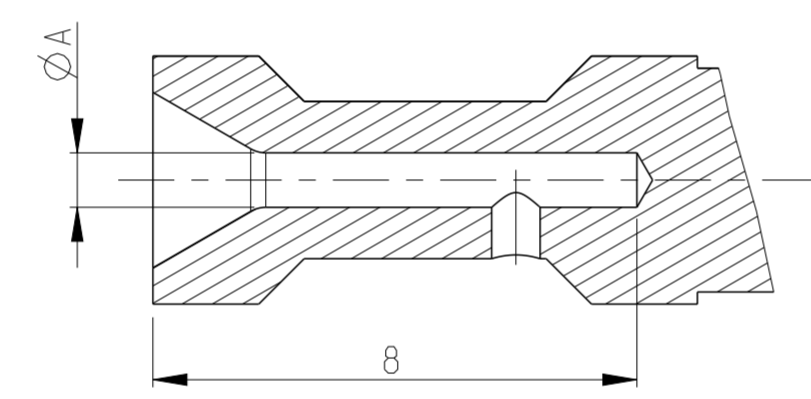


THIS DRAWING IS UNPUBLISHED. RELEASED FOR PUBLICATION 2006
 © COPYRIGHT 2006 BY - ALL RIGHTS RESERVED.

LOC		DIST		REVISIONS			
P	LTR	DESCRIPTION		DATE	DWN	APVD	
A1	-	H2	REVISED PER ECO-11-005030		24MAR2011	RK	HMR
		H3	ECR-16-016696		14SEP2017	GA	MKO



SECTION A-A



NOTES:

- 1 MATERIAL SEE TABLE
- 2 SURFACE SEE TABLE
- 3 ASSEMBLY WEIGHT SEE TABLE
- 4 PACKAGING: 50 PIECES IN POLYBAG
- 5 PACKAGING: 500 PIECES IN POLYBAG & CARTON
- 6 CROSS-SECTION MARKING
- 7 NO VENTILATION HOLE REQUIRED AT CROSS SECTION >4 mm²
- 8 SUITABLE SOCKET CONTACT: PN 1105301
- 9 SUITABLE INSERTS: SERIES HVT
- 10 SUITABLE CRIMP TOOL: PN 1-1105851-8
- 11 SUITABLE INSERTION TOOL: PN 0-1102855-6
- 12 SUITABLE EXTRACTION TOOL: PN 0-1102855-3
- 13 STANDARDS: DIN EN 61984, DIN EN 60664-1
- 14 OBSOLETE

ASSEMBLY WEIGHT IN (Kg) 3																					
0.00142	0.00144	0.00148	0.00145	0.00149	0.00150	0.00144	0.00148	0.00133	0.00142	0.00144	0.00148	0.00145	0.00149	0.00150	Pin Contact 4.0 mm ² Pin Contact 2.5 mm ² Pin Contact 1.5 mm ² Pin Contact 0.75-1.0 mm ² Pin Contact 0.5 mm ² Pin Contact 0.13-0.4 mm ² Pin Contact 14 AWG Pin Contact 12 AWG Pin Contact 10 AWG Pin Contact 4.0 mm ² Pin Contact 2.5 mm ² Pin Contact 1.5 mm ² Pin Contact 0.75-1.0 mm ² Pin Contact 0.5 mm ² Pin Contact 0.13-0.4 mm ²	CuZn39Pb3 F43	GOLD PLATING	2.85	3.9	6	1
1	1	1	1	1	1	1	1	1	1	1	1	1	2.2	3.2				5			
														1.8				3.0	4		
														1.45				2.6	3		
														0.9				2.6	1		
														2.0				3.2	8		
														2.55				3.6	9		
														3.2				4.1	7		
														2.85				3.9	6		
														2.2				3.2	5		
														1.8				3.0	4		
														1.45				2.6	3		
														0.9				2.6	1		
														2.2				3.2	5		
														1.8	3.0	4					
														1.45	2.6	3					
														0.9	2.6	1					

DESCRIPTION	MATERIAL	SURFACE	ØA	ØB	CROSS SECTION MARKING	ITEM NO
HVT-C-Sr.Au.4.0 mm ²	1	2			6	
HVT-C-Sr.Au.2.5 mm ²	1	2			5	
HVT-C-Sr.Au.1.5 mm ²	1	2			4	
HVT-C-Sr.Au.0.75-1.0 mm ²	1	2			3	
HVT-C-Sr.Au.0.5 mm ²	1	2			2	
HVT-C-Sr.Au.0.13-0.4 mm ²	1	2			1	
HVT-C-Sr.Ag-AWG.14	1	2			8	
HVT-C-Sr.Ag-AWG.12	1	2			9	
HVT-C-Sr.Ag-AWG.10	1	2			7	
HVT-C-Sr.Ag.4.0 mm ²	1	2			6	
HVT-C-Sr.Ag.2.5 mm ²	1	2			5	
HVT-C-Sr.Ag.1.5 mm ²	1	2			4	
HVT-C-Sr.Ag.0.75-1.0 mm ²	1	2			3	
HVT-C-Sr.Ag.0.5 mm ²	1	2			2	
HVT-C-Sr.Ag.0.13-0.4 mm ²	1	2			1	

THIS DRAWING IS A CONTROLLED DOCUMENT.

DWN: G.WROBLEWSKI 04.SEP.2007
 CHK: T.SCHNURPEITL 04.SEP.2007
 APVD: T.SCHNURPEITL 04.SEP.2007

PRODUCT SPEC: 108-74035
 APPLICATION SPEC: 114-74013

NAME: CLIP
 SIZE: A2 CAGE CODE: 00779 DRAWING NO: C-1105300 RESTRICTED TO: -

CUSTOMER DRAWING SCALE: 5:1 SHEET 1 OF 1 REV: H3