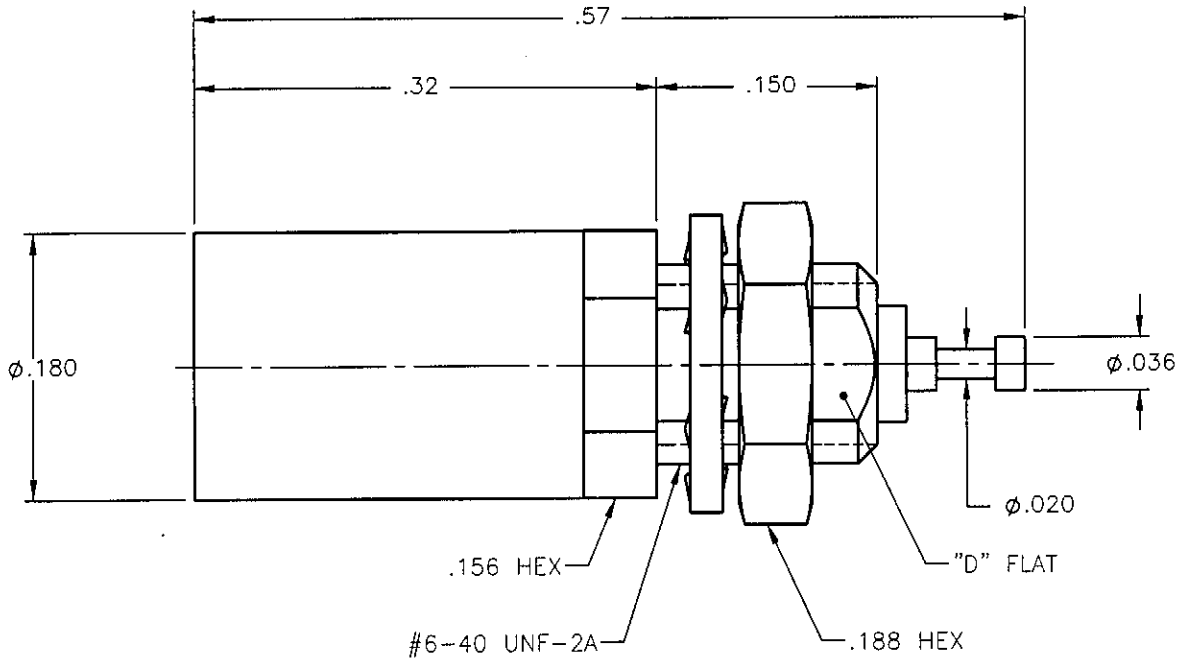


REVISIONS			
REV.	DESCRIPTION	DATE	APPROVED
A	ECO #7461	02/24/09	M.J.



NOTES:


MATERIALS:

1. BODY & CONTACT = BERYLLIUM COPPER PER ASTM B196, ALLOY C17300, TEMPER TD04.
2. SLEEVE & LOCKNUT = BRASS PER ASTM B16, ALLOY C36000, TEMPER H02.
3. LOCKWASHER = PHOSPHOR BRONZE PER ASTM B139, COPPER ALLOY C53400, TEMPER H04.
4. INSULATOR = VIRGIN WHITE TEFLON PER ASTM D1710, GRADE 1, TYPE I, CLASS "B".

FINISHES:

1. CONTACT = GOLD PLATE PER MIL-G-45204, TYPE II, CLASS 1, GRADE C, OVER .00010 TO .00020 STRESS FREE SULFAMATE NICKEL PER QQ-N-290.
2. ALL OTHER METAL PARTS = GOLD PLATE PER MIL-G-45204, TYPE II, CLASS 0, GRADE C, OVER .00010 TO .00020 COPPER STRIKE PER MIL-C-14550.

Property of Radiall Incorporated  
 This document cannot be reproduced or  
 communicated to a third party without prior  
 written permission of RADIALL Incorporated.

UNLESS OTHERWISE SPECIFIED DIMENSIONS ARE IN INCHES TOLERANCES ON	DWN: M.J.	DATE 02/24/09	 <b>APPLIED ENGINEERING PRODUCTS</b> 104 John W. Murphy Dr. New Haven, CT 06513			
	CHKD:	DATE 02/24/09				
DECIMAL	ANGLE	D.N.	<b>SSLB STRAIGHT PLUG          BULKHEAD FRONT MOUNT          RECEPTACLE</b>			
		APVD: J.M.				DATE 02/24/09
REFERENCE:	MATERIALS & FINISHES: SEE NOTES		SIZE A	FSCM NO. 19505	DWG. NO. 7317-1512-000	REV A
ORIGINATED: D.N. DATE: 11/09/85			SCALE 8:1	THIRD ANGLE PROJECTION		SHEET 1 OF 1

7317-1512-000