



Basic switch without actuator head Metal enclosure, 56 mm wide ASI-safe integrated AS-i status: 1:F-IN1, 2: F-IN2 3:AS-i/FAULT Snap-action contacts 1 NC with M12 connector 4-pole Channel 1 to NC, Channel 2 to M12 socket on the right

<b>product brand name</b>	SIRIUS
<b>product designation</b>	Mechanical safety switches
<b>product type designation</b>	3SF11
<b>manufacturer's article number</b>	
• of the supplied basic switch	<a href="#">3SF1124-1LA00-1BA2</a>
suitability for use safety switch	Yes
<b>General technical data</b>	
product function positive opening	Yes
insulation voltage rated value	30 V
<b>degree of pollution</b>	class 3
<b>surge voltage resistance rated value</b>	0.8 kV
<b>protection class IP</b>	IP66/IP67
shock resistance according to IEC 60068-2-27	30g / 11 ms
vibration resistance according to IEC 60068-2-6	0.35 mm/5g
mechanical service life (switching cycles) typical	15 000 000
<b>reference code according to IEC 81346-2</b>	B
<b>active principle</b>	mechanical
<b>repeat accuracy</b>	0.1 mm
<b>Substance Prohibitance (Date)</b>	03/01/2017
<b>length of the sensor</b>	99.7 mm
<b>width of the sensor</b>	56 mm
<b>design of the switching contact</b>	mechanical
<b>number of NC contacts for auxiliary contacts</b>	2
<b>number of NO contacts for auxiliary contacts</b>	0
design of the interface for safety-related communication	ASi-safe via M12 plug, channel 2 looped through to M12 socket on the right
<b>Enclosure</b>	
<b>design of the housing</b>	block, wide
<b>material of the enclosure</b>	metal
<b>coating of the enclosure</b>	cathodic dip coating
<b>design of the housing according to standard</b>	No
<b>Drive Head</b>	
<b>design of the switching function</b>	positive opening
<b>circuit principle</b>	snap-action contacts
number of switching contacts safety-related	1
<b>Connections/ Terminals</b>	
<b>type of electrical connection</b>	plug M12
<b>design of plug-in connection</b>	M12 plug, 4-pole: Pin 1 = ASI+ , Pin 2 = not assigned, Pin 3= ASI-, Pin 4 = not assigned
<b>AS-Interface slave profile</b>	0.B.F

<b>ID1 code</b>	F (hex, variable 0...F)		
<b>Ambient conditions</b>			
<b>ambient temperature</b>			
• during operation	-25 ... +60 °C		
• during storage	-40 ... +80 °C		
<b>Supply voltage</b>			
type of voltage of the supply voltage of the optional LED display	DC		
<b>supply voltage</b>			
• of LED	24 V		
<b>Installation/ mounting/ dimensions</b>			
<b>mounting position</b>	any		
<b>fastening method</b>	screw fixing		
<b>Certificates/ approvals</b>			
<b>General Product Approval</b>	<b>Declaration of Conformity</b>	<b>Test Certificates</b>	<b>other</b>



[Type Test Certificates/Test Report](#)

[Confirmation](#)

other

[Miscellaneous](#)

**Further information**

**Information- and Downloadcenter (Catalogs, Brochures,...)**

<https://www.siemens.com/ic10>

**Industry Mall (Online ordering system)**

<https://mall.industry.siemens.com/mall/en/en/Catalog/product?mlfb=3SF1124-1LA00-1BA2>

**Cax online generator**

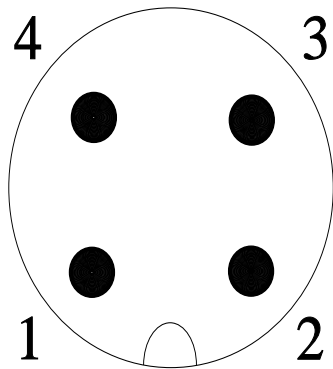
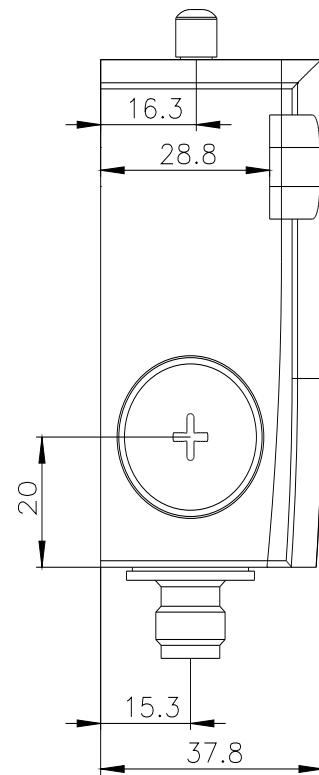
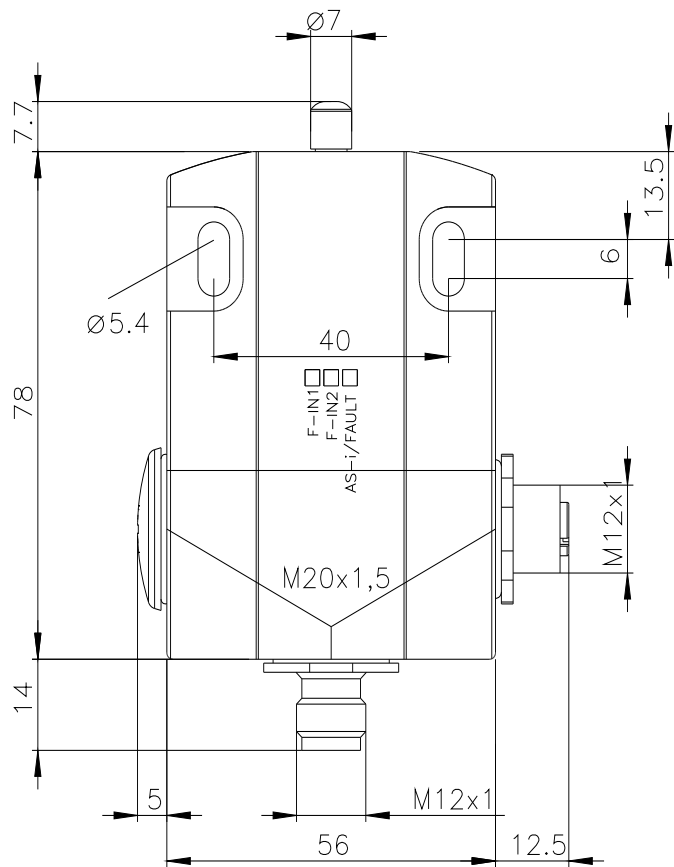
<http://support.automation.siemens.com/WW/CAXorder/default.aspx?lang=en&mlfb=3SF1124-1LA00-1BA2>

**Service&Support (Manuals, Certificates, Characteristics, FAQs,...)**

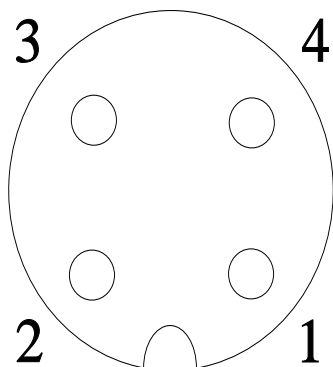
<https://support.industry.siemens.com/cs/ww/en/ps/3SF1124-1LA00-1BA2>

**Image database (product images, 2D dimension drawings, 3D models, device circuit diagrams, EPLAN macros, ...)**

[http://www.automation.siemens.com/bilddb/cax\\_de.aspx?mlfb=3SF1124-1LA00-1BA2&lang=en](http://www.automation.siemens.com/bilddb/cax_de.aspx?mlfb=3SF1124-1LA00-1BA2&lang=en)



1	→	ASI +
2	→	n. c.
3	→	ASI -
4	→	n. c.



1	→	Ch 2
2	→	Ch 2
3	→	n. c.
4	→	n. c.

