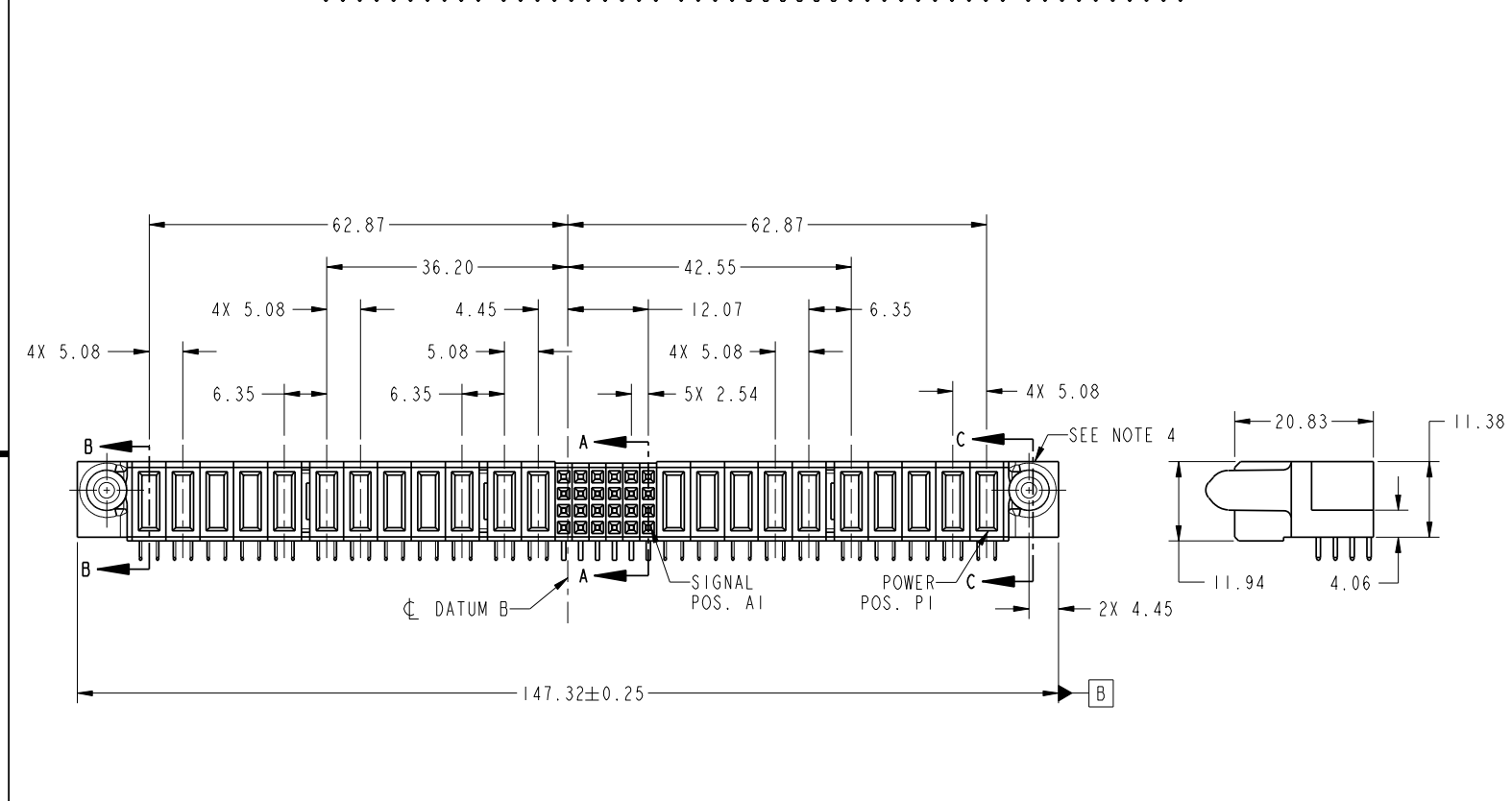
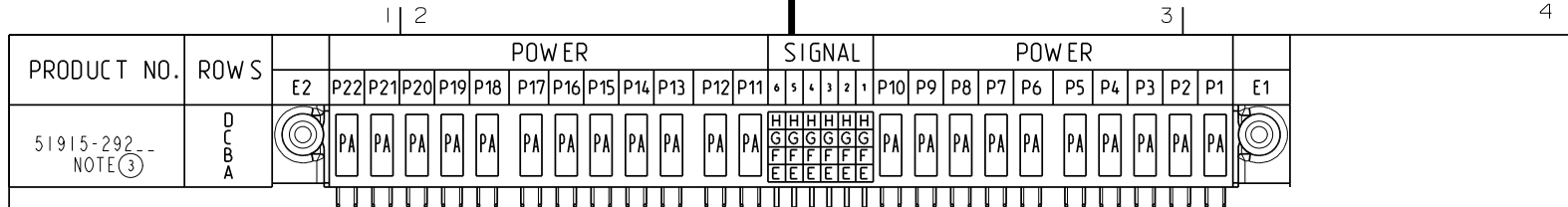


Tous droits strictement réservés. Reproduction ou communication à des tiers interdite sous quelque forme que ce soit sans autorisation écrite du propriétaire. Propriété de c FCI. Droits de reproduction FCI.



All rights strictly reserved. Reproduction or issue to third parties in any form whatever is not permitted without written authority from the proprietor. Property of FCI. Copyright FCI.



CODE	DIM "M" MATING LENGTH	CONTACT TYPE
PA	[1.07]	POWER
H	[N/A]	SIGNAL
G	[N/A]	SIGNAL
F	[N/A]	SIGNAL
E	[N/A]	SIGNAL

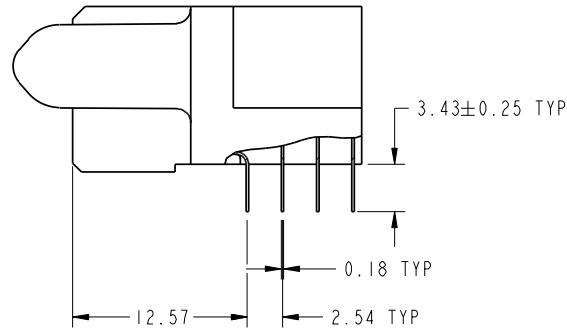
mat'l code				SEE NOTE 2				tolerances unless otherwise specified				CUSTOMER		FCI	
lir	ecn no.	dr	date	linear	0.X ±0.5			COPY		projection		title		www.fciconnect.com	
A	DG11-0051	HZ	03/02/11	angles	0.XX ±0.25			MM		10P+24S+12P		RIGHT ANGLE STB RECEPTACLE			
					0.XXX ±0.1			scale		product family		PwrBlade		code	
				dr	0° ±2°			1:1		size		A		213	
				enr	Helen Zhang 03/02/11					dwg no		51915-292		sheet	
				chr	Anson Liu 03/02/11					scale				1 of 4	
				appd	PM Zheng 03/02/11					cage code		22526			
					JOSEPH HSIA 03/02/11										
sheet index	revision sheet	A	A	A	A	A	A								
		1	2	3	4										

Tous droits strictement réservés. Reproduction ou communication a des tiers interdite sous quelque forme que ce soit sans autorisation écrite du propriétaire. Propriété de c FCI. Droits de reproduction FCI.

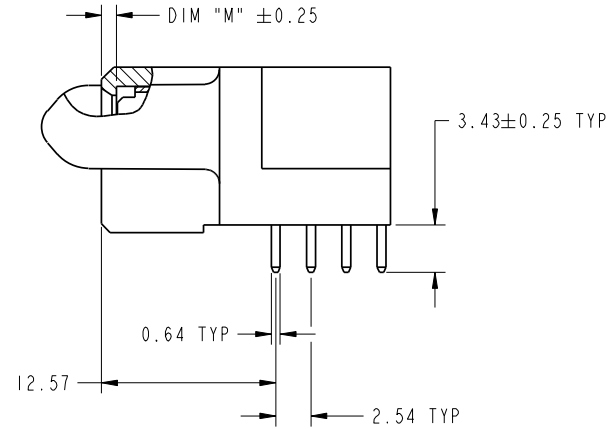
All rights strictly reserved. Reproduction or issue to third parties in any form whatever is not permitted without written authority from the proprietor. Property of FCI. Copyright FCI.



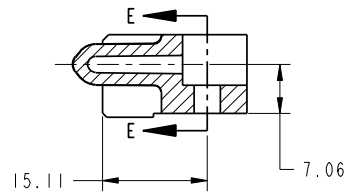
PRODUCT NUMBER
51915-292--
NOTE ③



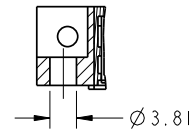
BROKEN-OUT SECTION A-A
SCALE 2:1



BROKEN-OUT SECTION B-B
SCALE 2:1



SECTION C-C



PARTIAL SECTION E-E

mat'l code				SEE NOTE 2		tolerances unless otherwise specified		CUSTOMER		FCI	
lir	ecn no.	dr	date	linear	0.X ± 0.5		COPY		www.fciconnect.com		
A					0.XX ± 0.25		projection		title		
					0.XXX ± 0.1				10P+24S+12P RIGHT ANGLE STB RECEPTACLE		
					angles	0° ± 2°				product family	
				dr	Helen Zhang	03/02/11	scale		PwrBlade		213
				enr	Anson Liu	03/02/11	1:1		size		sheet
				chr	PM Zheng	03/02/11			dwg no		2 of 4
				appd	JOSEPH HSIA	03/02/11			A		51915-292
sheet index	revision sheet										

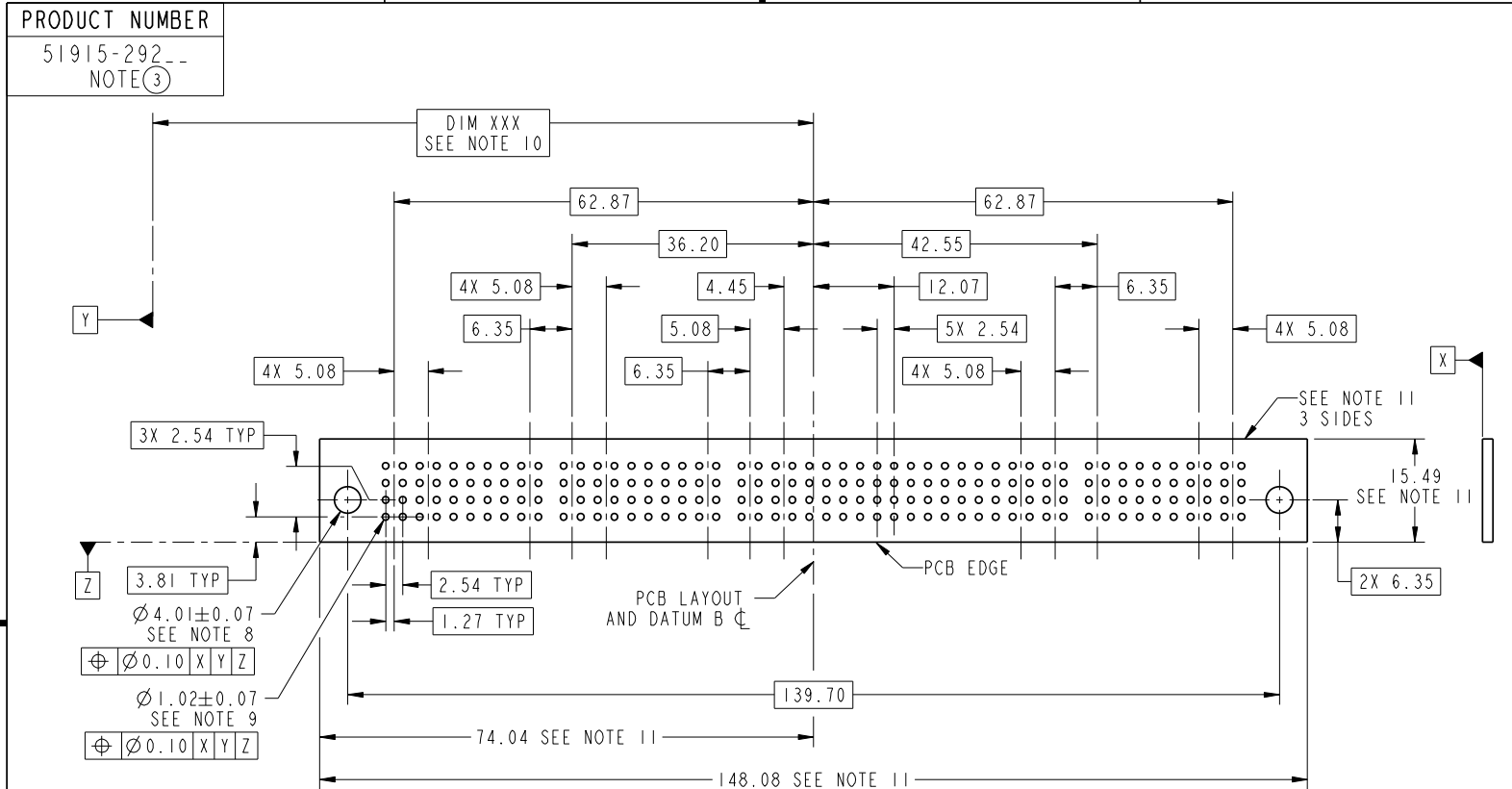
cage code 22526

Pro/E

Tous droits strictement réservés. Reproduction ou communication a des tiers interdite sous quelque forme que ce soit sans autorisation écrite du propriétaire. Propriete de c FCI. Droits de reproduction FCI.



All rights strictly reserved. Reproduction or issue to third parties in any form whatever is not permitted without written authority from the proprietor. Property of FCI. Copyright FCI.



PRODUCT NUMBER
51915-292--
NOTE ③

DIM XXX
SEE NOTE 10

PCB LAYOUT
AND DATUM B C

SEE NOTE 11
3 SIDES

mat'l code				SEE NOTE 2		tolerances unless otherwise specified		CUSTOMER		FCI	
lir	ecn no.	dr	date	linear	0.X ± 0.5	COPY		www.fciconnect.com		title	
A					0.XX ± 0.25	projection		10P+24S+12P		RIGHT ANGLE STB RECEPTACLE	
				angles	0.XXX ± 0.1	MM		product family		PwrBlade	
				dr	Helen Zhang 03/02/11	scale		size		code	
				enr	Anson Liu 03/02/11	1:1		dwg no		213	
				chr	PM Zheng 03/02/11			A		sheet	
				appd	JOSEPH HSIA 03/02/11			51915-292		3 of 4	
sheet index	revision sheet										

cage code 22526

Pro/E

Tous droits strictement réservés. Reproduction ou communication a des tiers interdite sous quelque forme que ce soit sans autorisation écrite du propriétaire. Propriete de c FCI. Droits de reproduction FCI.



All rights strictly reserved. Reproduction or issue to third parties in any form whatever is not permitted without written authority from the proprietor. Property of FCI. Copyright FCI.

PRODUCT NUMBER
51915-292--
NOTE ③

NOTES:

1. DIMENSIONS AND TOLERANCES ARE IN ACCORDANCE WITH ASME Y14.5M, 1994 UNLESS OTHERWISE SPECIFIED.

CONNECTOR NOTES:

- ② HOUSING MATERIAL: UL 94 V-0 GLASS FILLED HIGH-TEMP THERMOPLASTIC
POWER CONTACT MATERIAL: COPPER ALLOY
SIGNAL PIN MATERIAL: COPPER ALLOY
- 3. SEE ITEM 5 & 6 IN PRINT 10064183 FOR PLATING SPEC OF 51915-292 AND 51915-292LF RESPECTIVELY.
- ④ MANUFACTURER'S NAME, P/N, AND DATE CODE TO APPEAR ON THIS SURFACE.
- 5. PRODUCT SPECIFICATION GS-12-149.
APPLICATION SPECIFICATION BUS-20-067.
- 6. PACKAGED IN TRAYS.

PCB NOTES:

- 7. ALL HOLE DIAMETERS ARE FINISHED HOLE SIZE.
- ⑧ MOUNTING HOLES, WHERE APPLICABLE, ARE UNPLATED.
- ⑨ $\varnothing .0453 \pm .0010$ [1.151 \pm 0.025] DRILLED HOLES PLATED WITH .0003 [0.008] MIN SnPb OVER .001 [0.03] TO .003 [0.08] Cu PLATING TO ACHIEVE $\varnothing .040 \pm .003$ [1.02 \pm .07] HOLE.
- ⑩ "DIM XXX" TO BE DETERMINED BY THE CUSTOMER.
- ⑪ CONNECTOR KEEP-OUT ZONE.

mat'l code				SEE NOTE 2		tolerances unless otherwise specified		CUSTOMER		FCI	
lir	ecr no.	dr	date	linear	0.X ± 0.5	COPY		www.fciconnect.com		title	
A					0.XX ± 0.25	projection		RIGHT ANGLE STB RECEPTACLE		10P+24S+12P	
				angles	0.XXX ± 0.1			product family		code	
				dr	0° + 2°	MM		PwrBlade		213	
				enr	Helen Zhang 03/02/11	scale		size		sheet	
				chr	Anson Liu 03/02/11	1:1		A		4 of 4	
				appd	PM Zheng 03/02/11			51915-292			
					JOSEPH HSIA 03/02/11						
sheet index	revision sheet										

cage code 22526

Pro/E