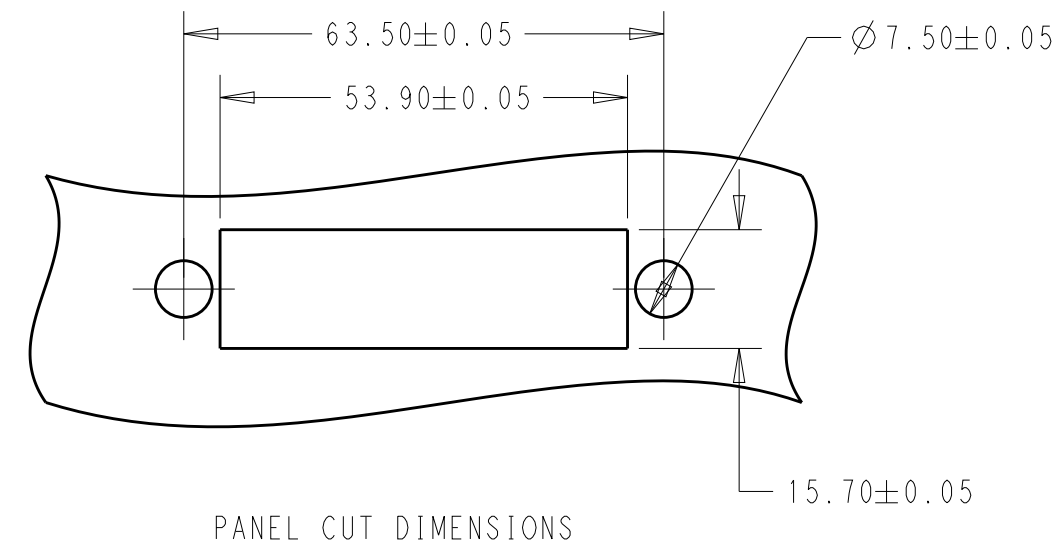
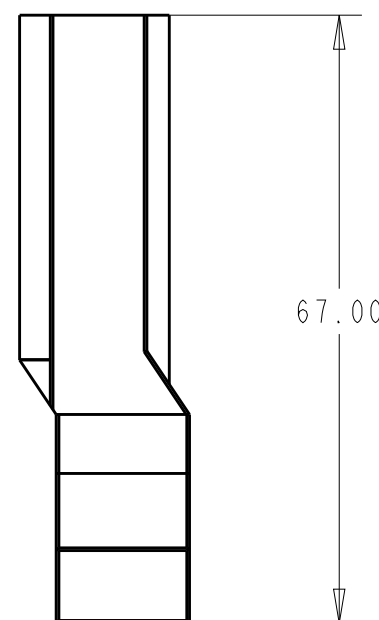
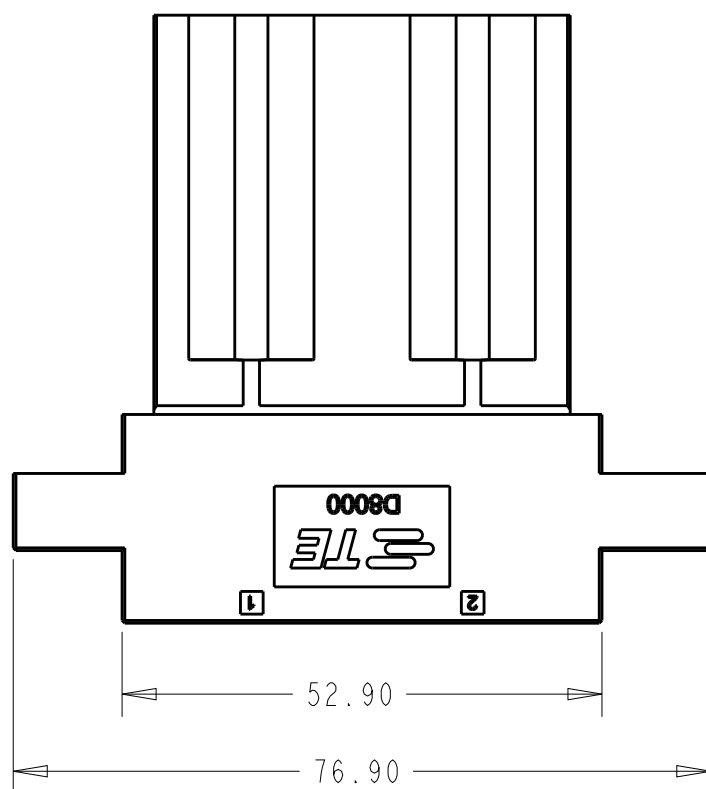
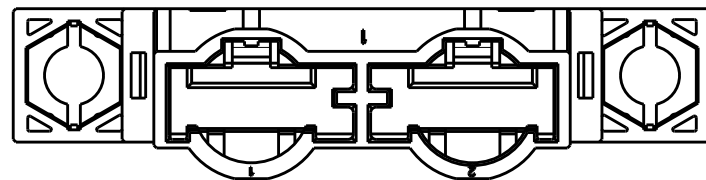
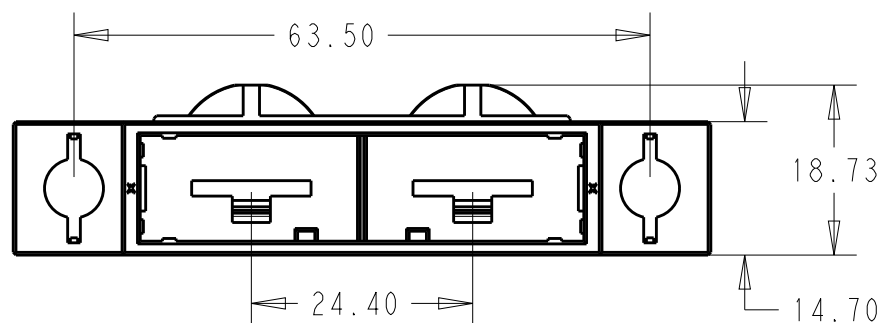


P	LTR	DESCRIPTION	DATE	DWN	APVD
	A	INITIAL	21JUN2020	A.W	R.B


AS SHOWN:1-2352216-2



PANEL CUT DIMENSIONS



NOTE
1. MATERIAL: HOUSING: GLASS FILLED THERMO PLASTIC, POLYESTER(94V-0), COLOR: BLACK

THIS DRAWING IS A CONTROLLED DOCUMENT.		DWN ALVIN.W 24MAR2020	 TE Connectivity	
DIMENSIONS: mm		CHK RICK.B 24MAR2020		
TOLERANCES UNLESS OTHERWISE SPECIFIED:		APVD RICK.B 24MAR2020	NAME TAB HOUSING DYNAMIC 8000	
0 PLC ± 1 PLC ±0.5 2 PLC ±0.4 3 PLC ± 4 PLC ± ANGLES ±		PRODUCT SPEC 108-140254	RESTRICTED TO	
MATERIAL SEE NOTE		FINISH -	APPLICATION SPEC 114-78058	SIZE A3
		WEIGHT 24.9g	CAGE CODE 00779	DRAWING NO C-2352216
		CUSTOMER DRAWING	SCALE 1:1	SHEET 1 OF 1
				REV A