

- NOTES:
- CONTACT PUSHOUT FORCE: .5 LB MIN.
 - MAX ALLOWABLE CUT FLASH: .015 [.38] MAX.
 - ⊕ REPRESENTS A CRITICAL DIMENSION.
 - MATTE TIN PLATING DOES NOT ENABLE LEAD FREE SURFACE MOUNT PROCESSING
 - NO OF POSITIONS MAY BE GREATER THAN 50 FOR INTERNAL MANUFACTURING PURPOSES.

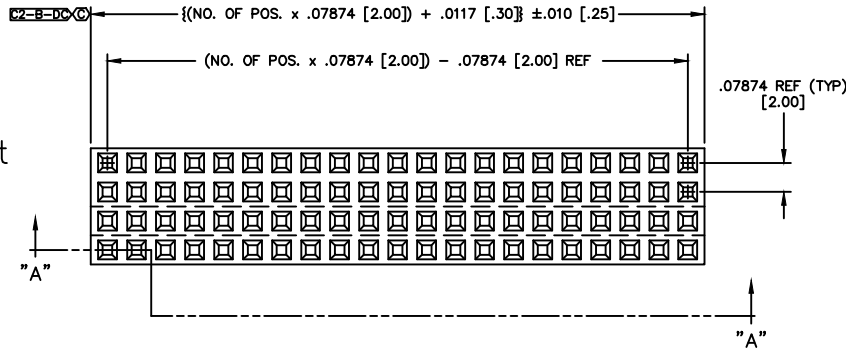
PLOT SCALE: 1=.2

UNLESS OTHERWISE NOTED
 DIMENSIONS ARE IN INCHES TOLERANCES ARE:
 ONE PLACE DECIMALS ± .1[2.5] THREE PLACE DECIMALS ± .005[.127] ANGLES ± 2°
 TWO PLACE DECIMALS ± .01[.25] FOUR PLACE DECIMALS ± .0020[.051]

TITLE:
 2MM SOCKET STRIP ASSEMBLY

DWG NO:
 SQW-1XX-XX-XXX-X-XXX
 SHEET 1 OF 1

Do not scale from this print



SQW-1XX-XX-XXX-X-XXX

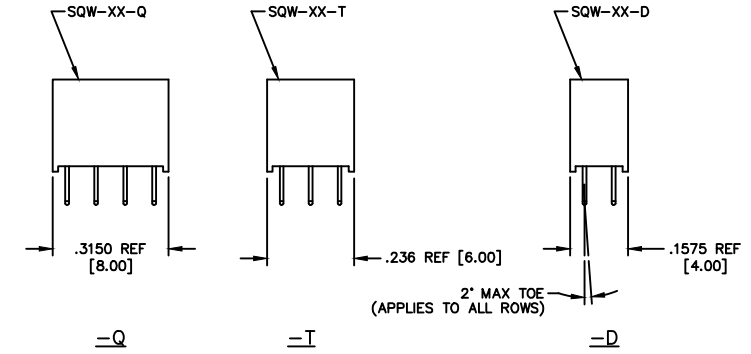
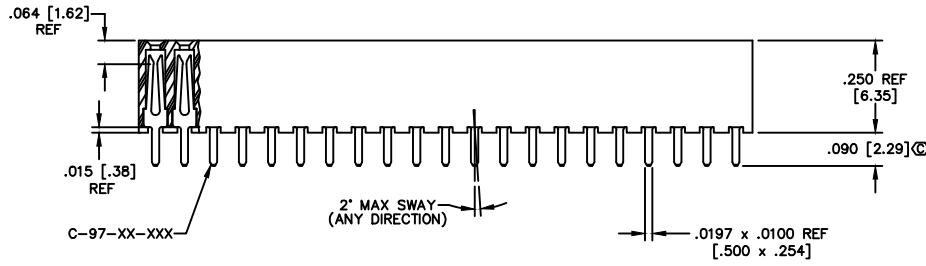
No. OF POSITIONS
 -02 THRU -50 (PER ROW)

LEAD STYLE
 -01

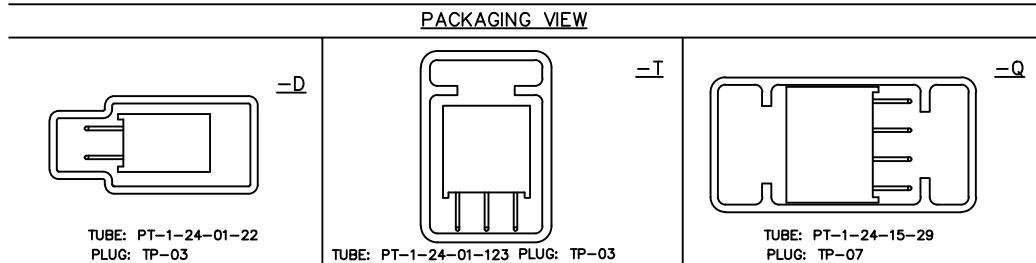
POLARIZATION OPTION
 -XXX: INDICATES POSITION POLARIZED (USE PK-07-N, SEE FIG. 2)

ROW SPECIFICATION
 -D: DOUBLE (USE SQW-XX-D)
 -T: TRIPLE (USE SQW-XX-T)
 -Q: QUAD (USE SQW-XX-Q)

- PLATING SPECIFICATION
- F: FLASH SELECTIVE GOLD (USE C-97-01-F)
 - L: LIGHT SELECTIVE GOLD (USE C-97-01-L)
 - S: SELECTIVE GOLD (USE C-97-01-S)
 - H: HEAVY GOLD (USE C-97-01-H)
 - STL: SELECTIVE TIN LEAD (USE C-97-01-STL)
 - FM: FLASH SELECTIVE GOLD, MATTE TIN TAIL (SEE NOTE 4)
 - LM: LIGHT SELECTIVE GOLD, MATTE TIN TAIL (SEE NOTE 4)
 - SM: SELECTIVE GOLD, MATTE TIN TAIL (SEE NOTE 4)



SECT. "A-A" FIG. 1



CRITICAL DIMENSION INSPECTION INSTRUCTION TABLE

| ASSEMBLY OPERATION | IN-PROCESS INSPECTION |
|--------------------|-----------------------|
| ROTARY CUT | C2 |
| FILL C-97 | C1 |

FIG. 2 POLARIZATION OPTION LOCATION
 INSERT PK-07-N INTO SPECIFIED POSITION AND BREAK OFF TAB

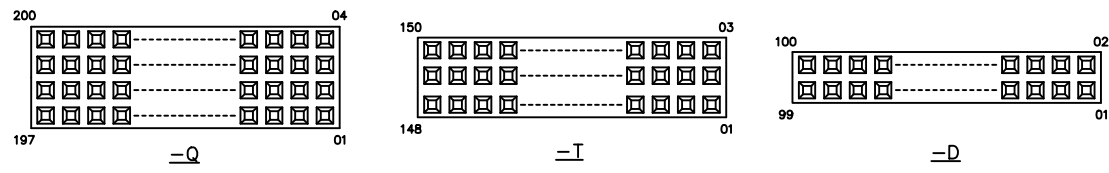


TABLE 2

| ROW SPEC. | NO. OF POS. | PKG TUBE | TUBE PLUG |
|-------------|-------------|-----------------|-----------|
| -D | 05-50 | PT-1-24-01-22 | TP-03 |
| -T | 05-50 | PT-1-24-01-123 | TP-03 |
| -Q | 05-50 | PT-1-24-15-29 | TP-07 |
| -D, -T & -Q | 02-04 | LAYER PACKAGING | |

PROPRIETARY NOTE
 THIS DOCUMENT CONTAINS INFORMATION CONFIDENTIAL AND PROPRIETARY TO SAMTEC INC. AND SHALL NOT BE REPRODUCED OR TRANSMITTED TO OTHER DOCUMENTS OR DISCLOSED TO OTHERS OR USED FOR ANY PURPOSE OTHER THAN THAT FOR WHICH IT WAS OBTAINED WITHOUT THE EXPRESSED WRITTEN CONSENT OF SAMTEC INC.

samtec
 SQW-1XX-XX-X-XXX MISC/MKGT
 520 PARK EAST BLVD. NEW ALBANY, INDIANA 47150
 PHONE (812) 944-6733 P.O. BOX 1147
 CODE 55322

MADE BY:
 BURREN 8-19-96
 SQW-1XX-XX-XXX-X-XXX
 SHEET 1 OF 1