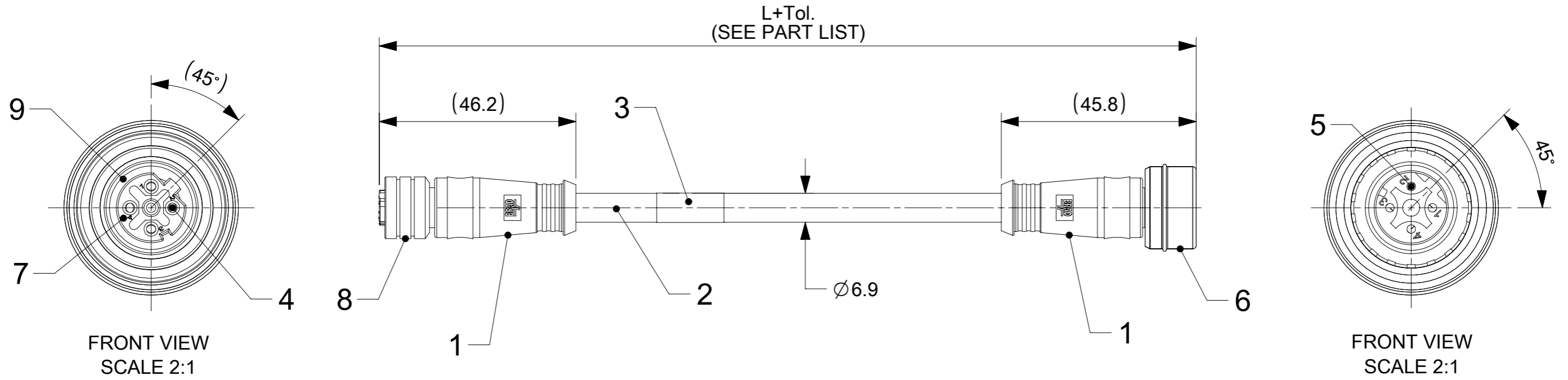
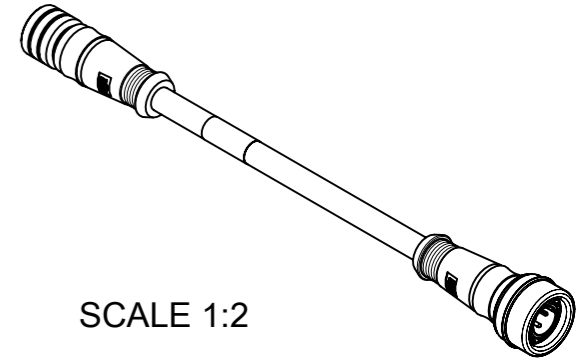


NOTES :

MAX. VOLTAGE : 30V
 MAX. CURRENT : 1.5 Amps
 IP RATING : IP67
 TEMPERATURE RANGE : -20°C TO +75°C



BOM

ITEM	QTY.	DESCRIPTION	MATERIAL	FINISH/COLOR
9	1	GASKET FEMALE	FPM	RED
8	1	COUPLING NUT FEMALE	BRASS	Ni-PLATED
7	1	INSERT M12 FEMALE 4P	PUR	BLACK
6	1	ULTALOCK MALE 4P ASSEMBLY	-	-
5	4	CONTACT MALE	BRASS	SELECTIVE GOLD
4	4	CONTACT FEMALE	BRASS	SELECTIVE GOLD
3	1	LABEL	VINYL	YELLOW
2	-	CABLE CAT5E	PVC	TEAL
1	-	OVERMOULD	TPU	BLACK

PART LIST

MOLEX P/N	ENG No.	L+Tol[mm]
1300480207	E1WB03003M002	200+19

FUNCTIONAL SYMBOLS	THIS DRAWING CONTAINS INFORMATION THAT IS PROPRIETARY TO MOLEX ELECTRONIC TECHNOLOGIES, LLC AND SHOULD NOT BE USED WITHOUT WRITTEN PERMISSION	CURRENT REV DESC:		molex
	DIMENSION UNITS: mm SCALE: 1:1 GENERAL TOLERANCES (UNLESS SPECIFIED) ANGULAR TOL ± 1.0° 4 PLACES ± 3 PLACES ± 2 PLACES ± 0.05 1 PLACE ± 0.3 0 PLACES ± 0.5	EC NO: 703538 DRWN: SSM 2022/03/16 CHK'D: RSILLER 2022/04/22 APPR: RSILLER 2022/04/22		
DIVISIONAL SYMBOLS	DRAFT WHERE APPLICABLE MUST REMAIN WITHIN DIMENSIONS THIRD ANGLE PROJECTION DRAWING: A3-SIZE SERIES: 130048	INITIAL REVISION: DRWN: SSM 2022/03/16 APPR: RSILLER 2022/04/22		PRODUCT CUSTOMER DRAWING DOCUMENT NUMBER: 1300480207 DOC TYPE: PSD DOC PART: 000 REVISION: A
		MATERIAL NUMBER: SEE PART LIST	CUSTOMER: GENERAL MARKET	SHEET NUMBER: 1 OF 1

6 5 4 3 2 1

PART NUMBER	ENGINEERING NO.	LENGTH ± TOLERANCE
1300480207	E1WB03003M002	7.87' +0.75'/-0' [0.2M +19.1/-0 mm]

AUX VIEW
SCALE 1:4

P1		P2
1	ORANGE	1
2	BLUE	2
3	DRG/WHITE	3
4	BLUE/WHITE	4

WIRING DIAGRAM

NOTES:

- MATERIAL: SEE TABLE
- FINISHES: SEE TABLE
- CABLE: #24/4 UNSHIELDED PVC
- ELECTRICAL DATA:
ACCORDING TO CAT5e ETHERNET STANDARD
MAX. VOLTAGE: 30V
MAX. CURRENT 1.5A
- ENVIRONMENTAL:
PROTECTION IP67
TEMPERATURE RANGE: -20°C TO 75°C
- WRAP LABEL IS MARKED WITH P/N, DATE CODE,
VOLTAGE & AMPERAGE.
- ASSEMBLY IS RoHS COMPLIANT.

ITEM	QTY.	DESCRIPTION	MATERIAL	FINISH
6	1	LABEL	PLASTIC FILM	BLACK/YELLOW
5	2	INSERT	PUR	BLACK
4	8	PIN CONTACT	COPPER ALLOY	GOLD PLATED
3	2	M12 ULTRA-LOCK HEAD ASSY	BRASS	NICKEL
2	2	OVERMOLD	PVC	BLACK
1	1	ETHERNET CABLE-CAT5E	PVC JACKET	TEAL

SD RELEASE EC NO: MEL2010-0005 DRWN: VOU CHKD: BWOODMAN APPR: JFMURPHY 2009/07/20 7/15/09	QUALITY SYMBOLS	GENERAL TOLERANCES (UNLESS SPECIFIED)	DIMENSION STYLE	SCALE	DESIGN UNITS	THIRD ANGLE PROJECTION
	$\nabla = 0$ $\nabla C = 0$	mm INCH 4 PLACES ±--- ±--- 3 PLACES ±--- ±.005 2 PLACES ±--- ±.010 1 PLACE ±--- ±.020	IN/MM	3:4	INCH	
		ANGULAR ± 1/2°	DRAWN BY DATE VOU 2009/07/06 CHECKED BY DATE BWOODMAN 2009/07/31 APPROVED BY DATE	TITLE M12 ETHERNET CABLE ASSY M12 4P M/MFE ULCK/THD #24/4 UNSHIELDED PVC		
		DRAFT WHERE APPLICABLE MUST REMAIN WITHIN DIMENSIONS	MATERIAL NO. SEE CHART SIZE A	MOLEX INCORPORATED DOCUMENT NO. SD-120108-030		SHEET NO. 1 OF 1

6 5 4 3 2 1