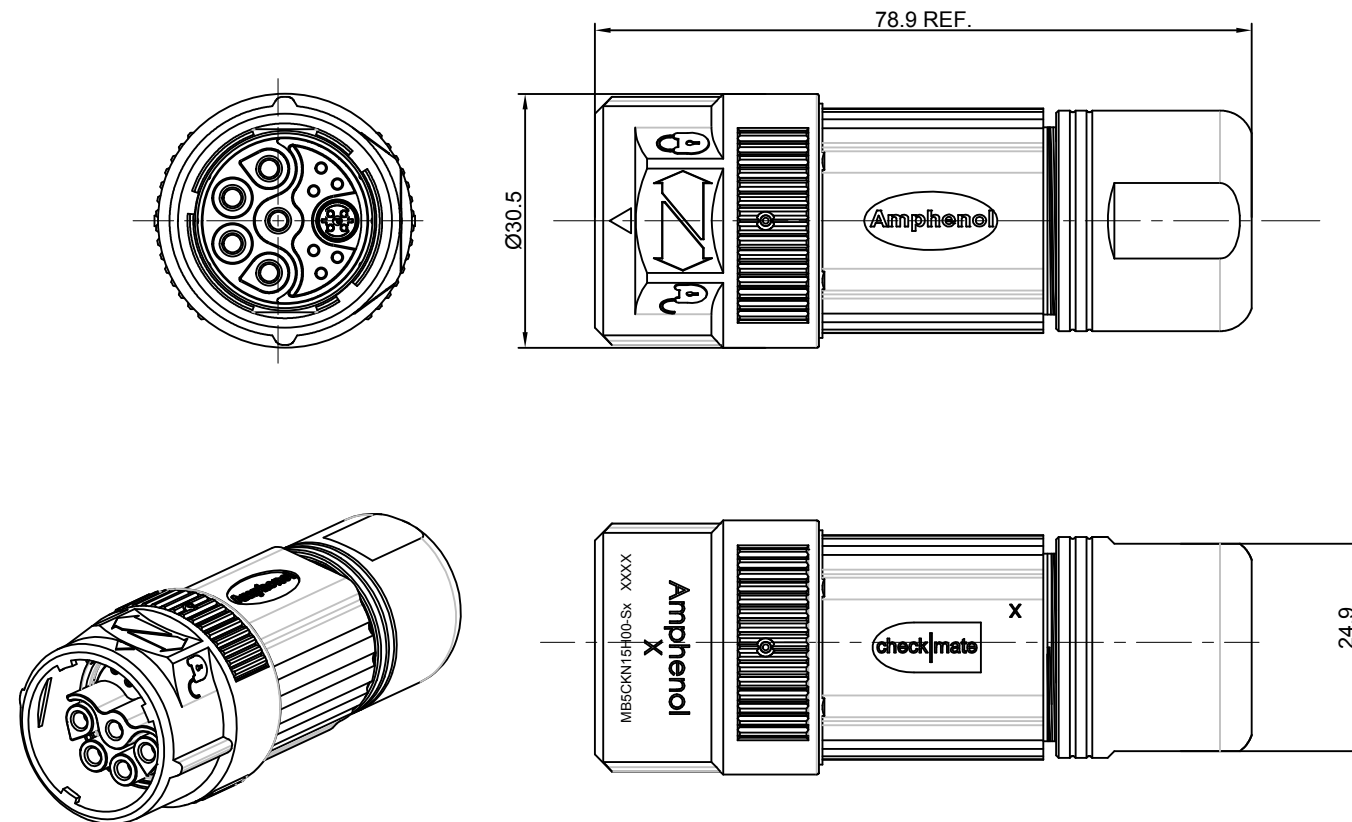


REVISIONS					
REV	ECO	DESCRIPTION	DATE	BY	APPR
A1	-	FIRST RELEASE	Jun.01,2017	Tod	Tommy



NOTES: UNLESS OTHERWISE SPECIFIED

- MATERIAL:  
INSULATION INSERT: PA66, UL94 V0  
SEAL: VITON, SILICONE, EPDM  
HOUSING BODY: ZINC DIE CAST, NICKEL PLATED  
COUPLING NUT: ZINC DIE CAST, NICKEL PLATED
- SPECIFICATIONS:  
2.1 CURRENT RATING: EARTHNET: 1.2 AMPS  
SIGNAL: 1.2 AMPS  
POWER: 30AMPS  
2.2 VOLTAGE RATING: EARTHNET: 30V AC/DC  
SIGNAL: 30V AC/ 50V DC  
POWER: 630V AC/ 850V DC  
2.3 OPERATING TEMPERATURE: -20°C TO +130°C  
2.4 DIELECTRIC WITHSTANDING VOLTAGE: LESS THAN 2  
MILLIAMPS CURRENT LEAKAGE @ EARTHNET: 500VOLTS AC.  
SIGNAL: 1500VOLTS AC.  
POWER: 6000 VOLTS AC.  
2.5 DEGREE OF PROTECTION: IP67 ( MATED CONDITION )  
2.6 DEGREE OF POLLUTION: 3 PER UL840  
2.7 OVERVOLTAGE CATEGORY: III PER UL840  
2.8 MATING CYCLE DURABILITY: >500 CYCLES  
2.9 RoHS COMPLIANT

3. ALL DIMENSIONS ARE FOR REFERENCE USE ONLY.

Item	Part number	Cable OD Range
1	MB5CKN15H00-S1	7.5~11.0 mm
2	MB5CKN15H00-S2	11.0~14.5 mm
3	MB5CKN15H00-S3	14.5~17.0 mm

SEE PART NUMBER CHART		DESCRIPTION	ITEM																		
QUANTITY	PART NUMBER																				
<b>MATERIALS LIST</b>																					
UNLESS OTHERWISE SPECIFIED 1) All dimensions are in metric(mm). 2) Tolerances are as follows: 1 PL DEC ±0.30 Fractions ±1/64 2 PL DEC ±0.15 Angles ±1° 3 PL DEC ±0.08 3) Note reference =		<table border="1"> <thead> <tr> <th colspan="2">SIGNATURES</th> <th>DATE</th> </tr> </thead> <tbody> <tr> <td>DRAWN: Tod</td> <td></td> <td>Jun.01,2017</td> </tr> <tr> <td>CHECKED:</td> <td></td> <td></td> </tr> <tr> <td>ENGINEER:</td> <td></td> <td></td> </tr> <tr> <td>APPROVAL: Tommy</td> <td></td> <td>Jun.02,2017</td> </tr> <tr> <td>CUSTOMER:</td> <td></td> <td></td> </tr> </tbody> </table>		SIGNATURES		DATE	DRAWN: Tod		Jun.01,2017	CHECKED:			ENGINEER:			APPROVAL: Tommy		Jun.02,2017	CUSTOMER:		
SIGNATURES		DATE																			
DRAWN: Tod		Jun.01,2017																			
CHECKED:																					
ENGINEER:																					
APPROVAL: Tommy		Jun.02,2017																			
CUSTOMER:																					
MATERIAL SPECIFICATIONS:		<h1>Amphenol</h1> <p>Sine Systems - www.amphenol-sine.com 44724 Morley Drive Clinton Township, MI 48036</p>																			
PROCESS SPECIFICATIONS:		<p>M23B, PLUG, STR, 15POS, CHECKMATE</p>																			
NEXT ASSY:		<table border="1"> <thead> <tr> <th>SIZE</th> <th>TYPE</th> <th>DWG NO:</th> <th>REVISION</th> </tr> </thead> <tbody> <tr> <td>B</td> <td>C-</td> <td>MB5CKN15H00-Sx</td> <td>A1</td> </tr> </tbody> </table>		SIZE	TYPE	DWG NO:	REVISION	B	C-	MB5CKN15H00-Sx	A1										
SIZE	TYPE	DWG NO:	REVISION																		
B	C-	MB5CKN15H00-Sx	A1																		
		<table border="1"> <thead> <tr> <th>SCALE</th> <th>SHEET</th> <th>OF</th> </tr> </thead> <tbody> <tr> <td>NONE</td> <td>1</td> <td>1</td> </tr> </tbody> </table>		SCALE	SHEET	OF	NONE	1	1												
SCALE	SHEET	OF																			
NONE	1	1																			

TITLE: M23B, PLUG, STR, 15POS, CHECKMATE DWG NO: MB5CKN15H00-Sx REV: A1 SH: 1 OF: 1