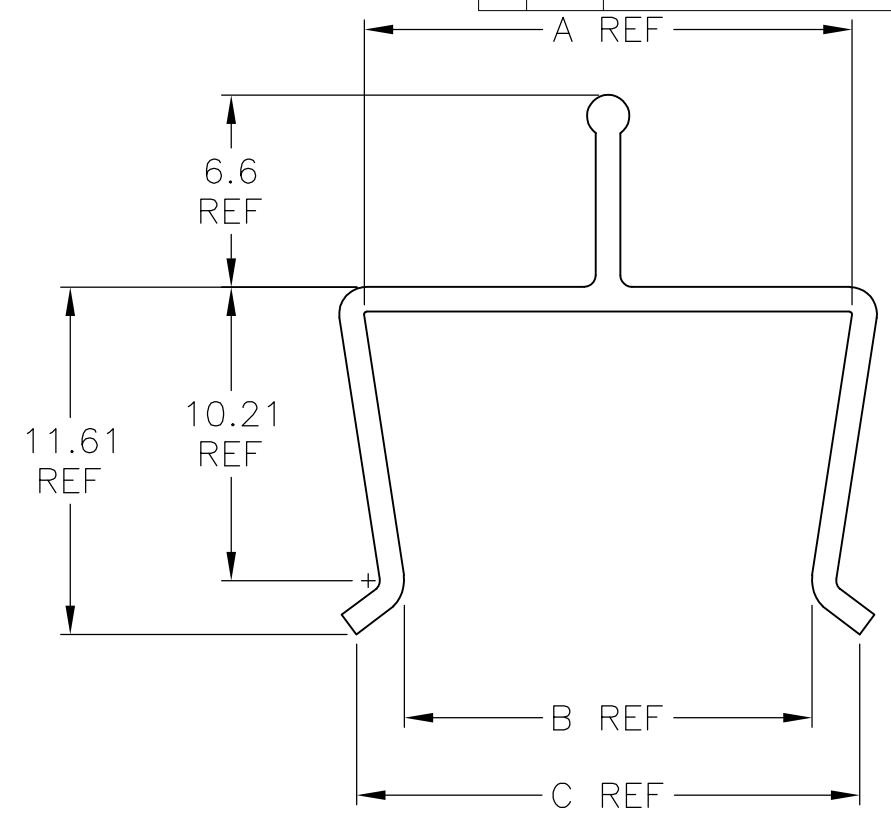
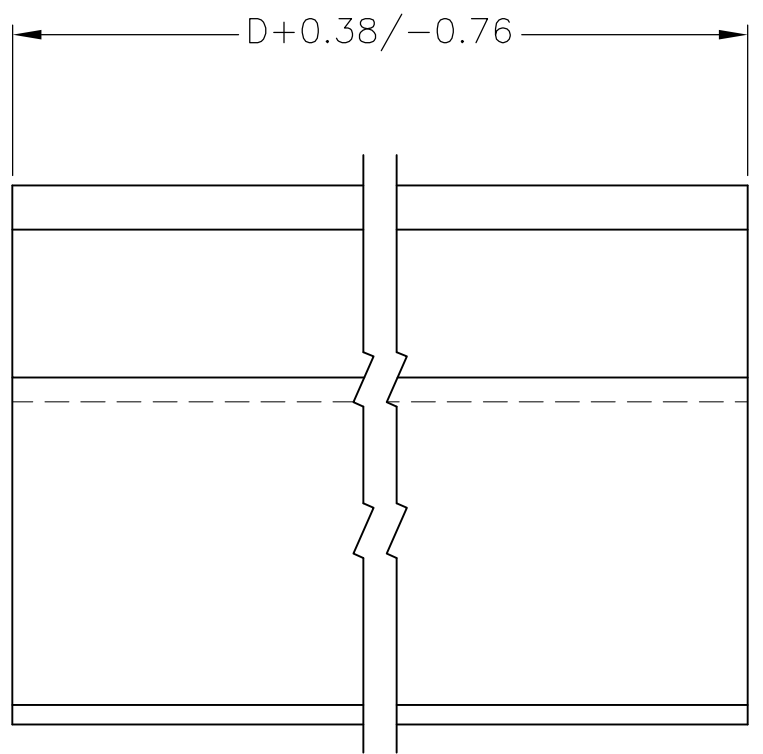


THIS DRAWING IS UNPUBLISHED. RELEASED FOR PUBLICATION
 © COPYRIGHT BY TYCO ELECTRONICS CORPORATION. ALL RIGHTS RESERVED.

LOC	DIST	REVISIONS			
P	LTR	DESCRIPTION	DATE	DWN	APVD
AD	00	H	REVISED PER ECO-08-015436	14JUL08	DH JE
		H1	REVISED PER ECO-10-000443	16JAN10	KK AEG
		J	ECR-10-018652	10SEP10	SW MQW



	1 TYPE "D" OR "E"	92.00	22.630	19.38	22.10	1-646502-2
	1 TYPE "D" OR "E"	30.00	22.63	19.38	22.10	1-646502-1
	2 PAIR R/A HMzd	74.93	22.63	19.38	22.10	1-646502-0
	3 PAIR HMzd	100.08	20.22	16.97	19.69	646502-9
3	OBSOLETE 8 TYPE "D" OR "E"	394.00	22.63	19.38	22.10	646502-8
	6U CARD	227.13	16.64	13.46	16.13	646502-7
	3U CARD	93.73	16.64	13.46	16.13	646502-6
3	OBSOLETE 4 TYPE "A" OR "B" STACKED	198.63	16.64	13.46	16.13	646502-5
	1 TYPE "F"	23.97	22.63	19.38	22.10	2 646502-4
3	OBSOLETE 1 TYPE "C"	23.97	16.64	13.46	16.13	646502-3
	1 TYPE "D" OR "E"	49.23	22.63	19.38	22.10	646502-2
	1 TYPE "A" OR "B"	49.23	16.64	13.46	16.13	646502-1
	ASSEMBLY USED ON	D	C	B	A	PART NUMBER

- 1 MATERIAL: LEXAN 940A. COLOR: CLEAR. MATERIAL TO BE ANTI-STATIC.
- 2 OBSOLETE PART NUMBER.
- 3 OBSOLETE PARTS: OBSOLETE CIS STREAMLINING PER D.RENAUD/D.SINISI

THIS DRAWING IS A CONTROLLED DOCUMENT.		DWN	L.BRINER	2/12/99	Tyco Electronics Corporation Harrisburg, PA 17105-3608						
DIMENSIONS: mm		CHK	L.BRINER	2/12/99							
		APVD	L.BRINER	2/12/99							
TOLERANCES UNLESS OTHERWISE SPECIFIED: 0-PLC ±-- 1-PLC ±-- ±0.2 2-PLC ±-- 3-PLC ±-- 4-PLC ±-- ANGLES ±-- FINISH -		PRODUCT SPEC		NAME							
MATERIAL 1		APPLICATION SPEC		COVER, Z-PACK, 2mm HM, PIN							
		WEIGHT -		SIZE	A3	CAGE CODE	00779	DRAWING NO	C-646502	RESTRICTED TO	-
CUSTOMER DRAWING				SCALE	4:1	SHEET	1 OF 1	REV	J		