

LMH6586 User's Guide

LIST OF FIGURES	1
LIST OF TABLES.....	1
1. INTRODUCTION	1
2. SETUP	2
3. BOARD LAYOUT.....	7
4. SCHEMATIC AND BILL OF MATERIALS (BOM).....	8
EVALUATION BOARD/KIT/MODULE (EVM).....	14

LIST OF FIGURES

Figure 1: LMH6586 EVAL Board Connection Block Diagram	2
Figure 2: LMH6586 Interface Harness.....	2
Figure 3: Input Circuit Schematic.....	3
Figure 4: Output Circuit Schematic.....	3
Figure 5: Clamp Enable Circuit.....	4
Figure 6: Sync Detect Threshold Circuit.....	5
Figure 7: Video Detect FLAG Circuit.....	6
Figure 8: LMH6586 Layout Top Layer.....	7
Figure 9: LMH6586 Board Layout Bottom Layer.....	7
Figure 10: LMH6586 Board Schematic.....	8

LIST OF TABLES

Table 1: Jumper Settings.....	4
Table 2: Device Address Jumper Settings.....	4
Table 3: LMH6586 EVAL Board BOM.....	9

1. Introduction

The LMH6586 evaluation board is designed by Texas Instruments to demonstrate the performance of the LMH6586 32x16 video Crosspoint switch. The board provides BNC connectors for 1/2 of the inputs and outputs (VIN0 - VIN31 (16 inputs), and OUT0 - OUT16 (8+1 outputs), even numbered channels only), potentiometers to adjust the clamp reference voltage and the sync detect threshold voltage. On-board jumpers allow the user to control the gain setting for the LMH6586 and to define logic inputs for device reset, power save and device address.

2. Setup

A USB Interface board (supplied), plugs into the evaluation board providing a graphical user interface (GUI) with a PC to program the LMH6586’s internal registers via I²C protocol. Figure 1 shows the connections between the PC, USB Interface board, and LMH6586 EVAL board. Figure 2 is the drawing for the harness that connects the LMH6586 EVAL board to the USB Interface board.

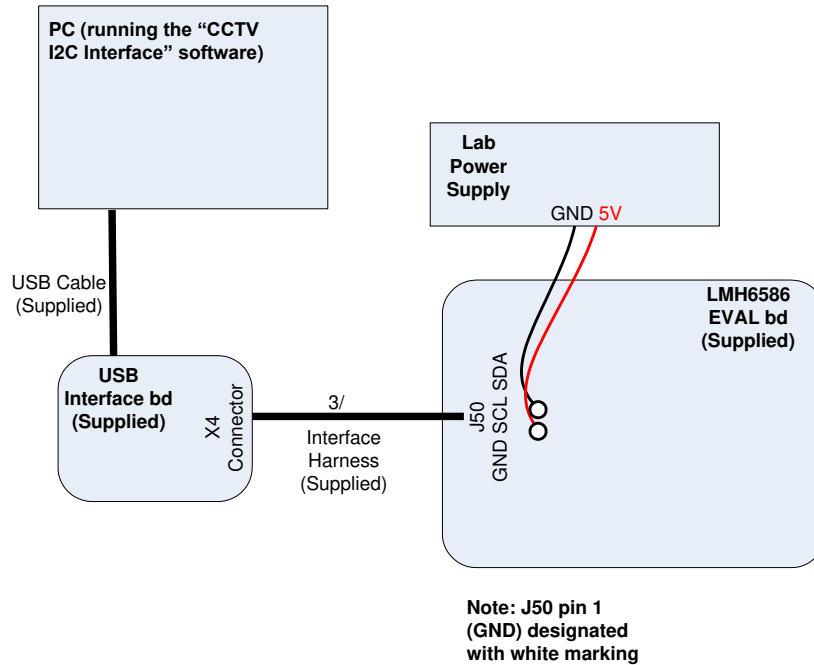


Figure 1: LMH6586 EVAL Board Connection Block Diagram

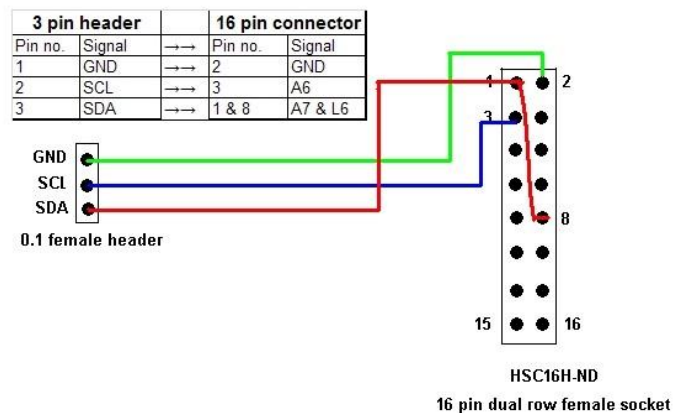


Figure 2: LMH6586 Interface Harness

Power Supplies

The evaluation board requires a 5V power supply (0.5A capability or higher) and a ground connection to power the device.

Video Inputs and Outputs

The evaluation board is populated with 16 BNC connectors for 1/2 the 32 inputs from VIN0 – VIN31 and 8 BNC connectors for 1/2 the 16 outputs from OUT0 – OUT15. There is an additional BNC connector coming from OUT16 of the LMH6586 which can be given to an external sync separator such as the LMH1980.

The inputs to the LMH6586 are AC coupled through a 0.01uF capacitor. Since the inputs are AC coupled, the CLAMP EN jumper (*JP4*) should be shorted to enable the clamp voltage for DC restoration. The LMH6586 can accept input video signals in the range of 0V to 1.5V. The input circuit for each input is shown below.

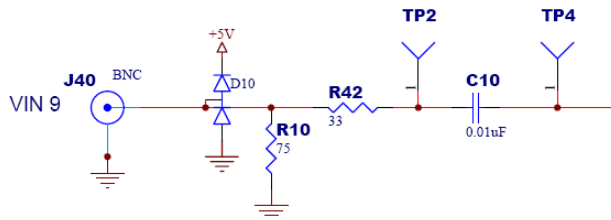


Figure 3: Input Circuit Schematic

Note: Protection diode D10 not installed but can be added for extra protection in case of overvoltage

The LMH6586 can provide output signals in the range of 0V to 3V depending on the gain setting determined by the GAIN jumper (*JP3*). The output circuit for each output is shown below.

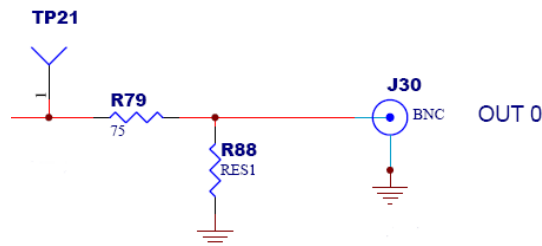


Figure 4: Output Circuit Schematic

Jumper Settings

JUMPER	POSITION	FUNCTION
JP1	OPEN	DVDD not connected to +5V
	SHORTED	DVDD connected to external +5V supply
JP2	OPEN	LMH6586 is active
	SHORTED	LMH6586 is in power save mode
JP3	OPEN	LMH6586 gain is set to 1V/V
	SHORTED	LMH6586 gain is set to 2V/V
JP4	OPEN	Clamp is disabled
	SHORTED	Clamp is enabled
JP5	OPEN	LMH6586 is active
	SHORTED	LMH6586 is reset

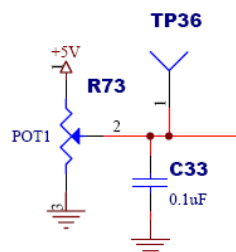
Table 1: Jumper Settings

JP7 (ADDR SEL 1)	JP6 (ADDR SEL 0)	FUNCTION
OPEN	OPEN	Device address set to 00
OPEN	SHORTED	Device address set to 01
SHORTED	OPEN	Device address set to 10
SHORTED	SHORTED	Device address set to 11

Table 2: Device Address Jumper Settings
Clamp Enable Feature

When jumper JP4 is shorted, the clamp enable feature of the LMH6586 is enabled. Since the inputs to the LMH6586 are AC coupled, DC restoration is required. This is accomplished using the clamp enable feature. The clamp enable feature clamps the sync tip of the input signal to the set level. The clamp voltage is set at the VCLAMP pin (*PIN 66*) using potentiometer *R73*. The clamp voltage can be measured at *TP36*. For optimum performance the clamp voltage should be fixed at 0.3V.

The clamp enable circuit is shown below.


Figure 5: Clamp Enable Circuit

Video Detect

The LMH6586 can be setup to detect the presence or absence of video on each input by setting the appropriate bits in the video detect enable register and the video detect invert register for the respective inputs. The video detect threshold can be adjusted to eight different levels with a 3 bit programmable register. Each of the 32 video input channels can be configured individually to detect video or the loss of video using the accompanying software provided. The software is also used to set up the appropriate video detect threshold level.

The default video detect level at power on is blacker than black. So at power On, the video detect level should be adjusted to a suitable value.

Sync Detect

The LMH6586 can be setup to detect the loss of sync by setting the appropriate bits in the sync detect enable register for the respective inputs. The sync detect threshold level is adjusted using the potentiometer *R120* connected to the SSR pin (*PIN 65*). The sync detect threshold voltage can be measured at *TP84*. For optimum performance the sync detect threshold voltage should be adjusted to 0.35V.

The sync detect threshold circuit is shown below.

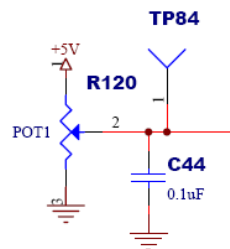


Figure 6: Sync Detect Threshold Circuit

External Video Detect FLAG

When there is a loss of sync or video (or a “*presence*” of video, depending on the setting of the respective bits in the video detect invert register) on any one of the 32 inputs, an external flag (*PIN 75*) is asserted and the two color video detect LED *D34* glows red. Under normal operation *D34* is green.

The video detect flag circuit is shown below.

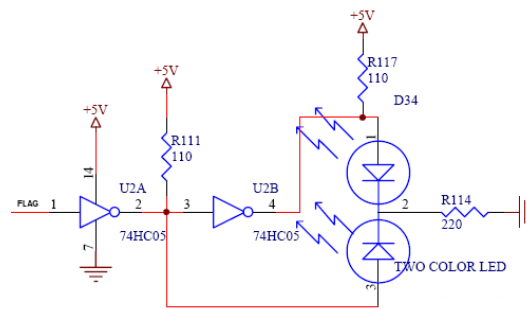


Figure 7: Video Detect FLAG Circuit

Individual Channel Power Save

Each input and each output channel of the LMH6586 can be individually placed in power save mode by programming the appropriate bits in the registers 0x18h – 0x1Bh for the inputs and the registers 0x1Eh – 0x1Fh for the outputs. The accompanying software is used for this programming.

3. Board Layout

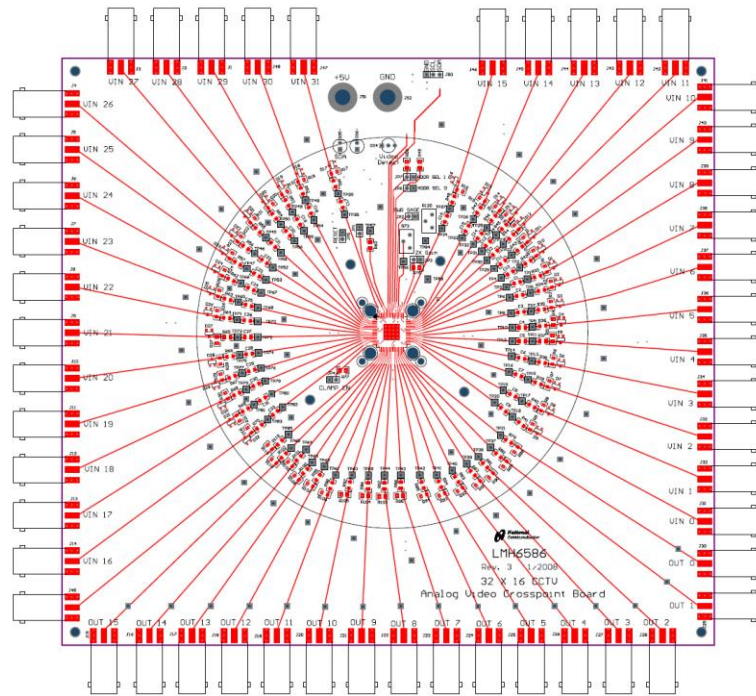


Figure 8: LMH6586 Layout Top Layer

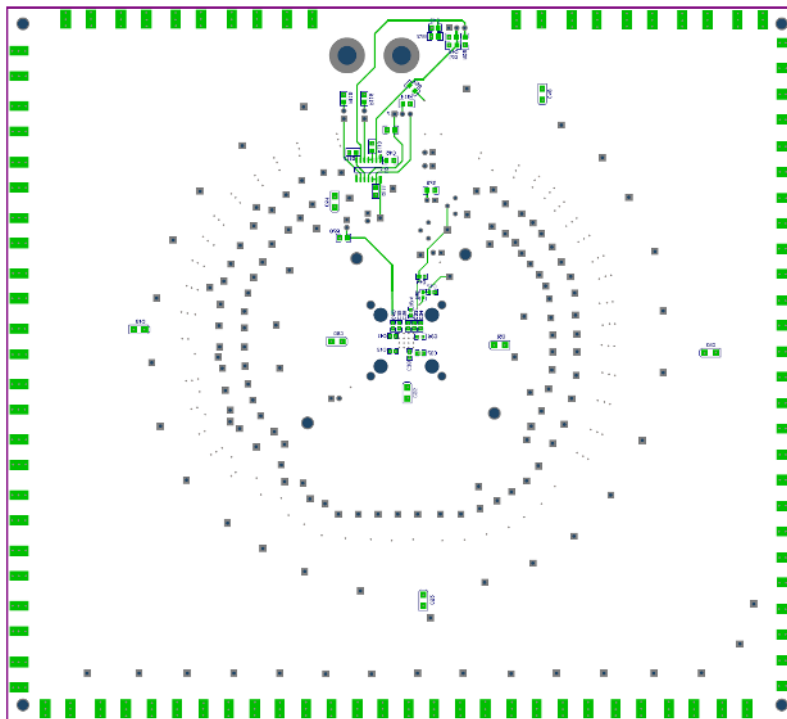


Figure 9: LMH6586 Board Layout Bottom Layer

4. Schematic and Bill of Materials (BOM)

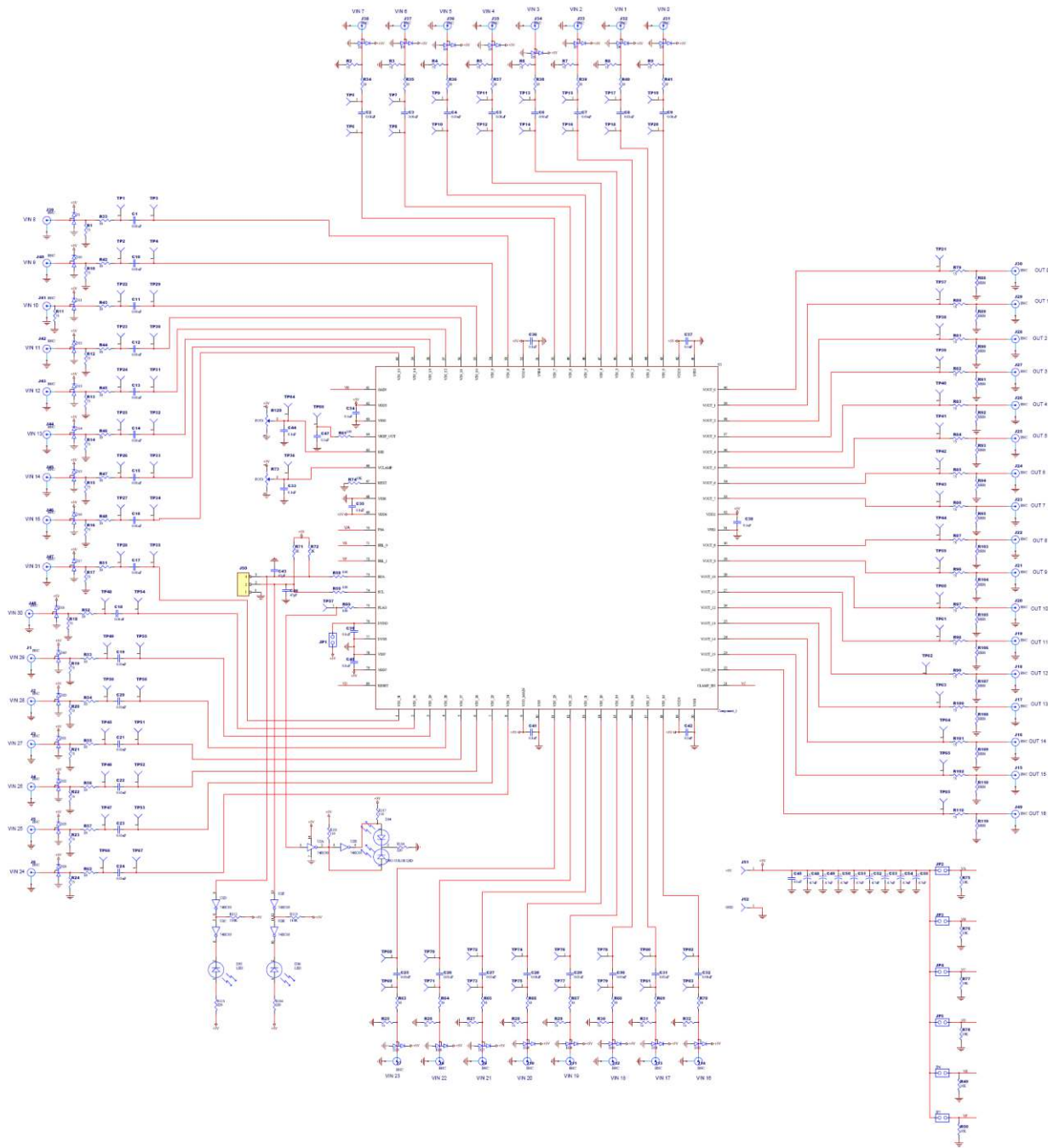


Figure 10: LMH6586 Board Schematic

Notes:

1. R77 is 1kohm.
2. Not all Input / Output BNC's shown are installed.
3. Input protection diodes D1-D32 (MMBD4148SE) not installed.

Part Type	Part Designator	QTY	PART #
2 pin header	JP1-JP7	7	WM6502-ND
2 pin shorting shunt	JP1-JP7	7	A26227-ND
BANANA Jack	J51, J52	2	575-8K-ND
CAPACITOR, 100nF, X7R, 25V, 0805	C45	1	PCC1828CT-ND
CAPACITOR, 100nF, X7R, 25V, 0603	C33-42, C44, C47	12	PCC2277CT-ND
CAPACITOR, 10nF, X7R, 25V, 0603	C1-C32	32	PCC1763CT-ND
RESISTOR, 2K, 1%, 0805	R71, R72	2	P2.00KCCT-ND
CAPACITOR, 4.7uF, TANT, SIZE A	C48-C55	8	495-2197-1-ND
RESISTOR, 10K, 1%, 0603	R74	1	RHM10.0KHCT-ND
RESISTOR, 10K, 1%, 0805	R49, R50, R75, R76, R78	5	P10.0KCCT-ND
RESISTOR, 33ohm, 1%, 0805	R33-R48, R51-R57, R62-R70	32	P33.0CCT-ND
RESISTOR, 1K, 1%, 0805	R77	1	P1.00KCCT-ND
CAPACITOR, 47pF, NPO, 50V, 0805	C43, C46	2	PCC470CGCT-ND
74HC05	U2	1	296-1190-5-ND
RESISTOR, 75, 1%, 0805	R1-R32, R79-R87, R96-R102, R118	49	P75.0CCT-ND
RESISTOR, 100, 1%, 0603	R61	1	P100HCT-ND
RESISTOR, 100, 1%, 0805	R58-R60	3	P100CCT-ND
RESISTOR, 110, 1%, 0805	R111, R117	2	P110CCT-ND
RESISTOR, 110K, 1%, 0805	R112, R113	2	P110KCCT-ND
RESISTOR, 220, 1%, 0805	R114-R116	3	P220CCT-ND
EDGE MOUNT BNC	J2, J4, J6, J8, J10, J12, J14, J16, J18, J20, J22, J24, J26, J28, J30, J31, J33, J35, J37, J39, J41, J43, J45, J48, J49	25	1097-1139-ND
LMH6586	U1	1	LMH6586
MMBD4148SE	D1- D32 (not installed)	32	MMBD4148SECT-ND
3 PIN HEADER	J50	1	WM6503-ND
2 PIN HEADER	JP1-JP7	7	WM6502-ND
RED / GREEN LED	D34	1	754-1232-ND
RED LED	D35	1	P559-ND
GREEN LED	D36	1	P560-ND
5K POT	R73, R120	2	3299Y-502LF-ND
NOT STUFFED	R88-R95, R107, R108, R103-R106, R109, R110, R119	N/A	-

Table 3: LMH6586 EVAL Board BOM

EVALUATION BOARD/KIT/MODULE (EVM) ADDITIONAL TERMS

Texas Instruments (TI) provides the enclosed Evaluation Board/Kit/Module (EVM) under the following conditions:

The user assumes all responsibility and liability for proper and safe handling of the goods. Further, the user indemnifies TI from all claims arising from the handling or use of the goods.

Should this evaluation board/kit not meet the specifications indicated in the User's Guide, the board/ kit may be returned within 30 days from the date of delivery for a full refund. THE FOREGOING LIMITED WARRANTY IS THE EXCLUSIVE WARRANTY MADE BY SELLER TO BUYER AND IS IN LIEU OF ALL OTHER WARRANTIES, EXPRESSED, IMPLIED, OR STATUTORY, INCLUDING ANY WARRANTY OF MERCHANTABILITY OR FITNESS FOR ANY PARTICULAR PURPOSE. EXCEPT TO THE EXTENT OF THE INDEMNITY SET FORTH ABOVE, NEITHER PARTY SHALL BE LIABLE TO THE OTHER FOR ANY INDIRECT, SPECIAL, INCIDENTAL, OR CONSEQUENTIAL DAMAGES.

Please read the User's Guide and, specifically, the Warnings and Restrictions notice in the User's Guide prior to handling the product. This notice contains important safety information about temperatures and voltages. For additional information on TI's environmental and/or safety programs, please visit www.ti.com/esh or contact TI.

No license is granted under any patent right or other intellectual property right of TI covering or relating to any machine, process, or combination in which such TI products or services might be or are used. TI currently deals with a variety of customers for products, and therefore our arrangement with the user is not exclusive. TI assumes no liability for applications assistance, customer product design, software performance, or infringement of patents or services described herein.

Mailing Address: Texas Instruments Post Office Box 655303 Dallas, Texas 75265

Copyright 2012, Texas Instruments Incorporated

REGULATORY COMPLIANCE INFORMATION

As noted in the EVM User's Guide and/or EVM itself, this EVM and/or accompanying hardware may or may not be subject to the Federal Communications Commission (FCC) and Industry Canada (IC) rules.

For EVMs **not** subject to the above rules, this evaluation board/kit/module is intended for use for ENGINEERING DEVELOPMENT, DEMONSTRATION OR EVALUATION PURPOSES ONLY and is not considered by TI to be a finished end product fit for general consumer use. It generates, uses, and can radiate radio frequency energy and has not been tested for compliance with the limits of computing devices pursuant to part 15 of FCC or ICES-003 rules, which are designed to provide reasonable protection against radio frequency interference. Operation of the equipment may cause interference with radio communications, in which case the user at his own expense will be required to take whatever measures may be required to correct this interference.

General Statement for EVMs including a radio

User Power/Frequency Use Obligations: This radio is intended for development/professional use only in legally allocated frequency and power limits. Any use of radio frequencies and/or power availability of this EVM and its development application(s) must comply with local laws governing radio spectrum allocation and power limits for this evaluation module. It is the user's sole responsibility to only operate this radio in legally acceptable frequency space and within legally mandated power limitations. Any exceptions to this is strictly prohibited and unauthorized by Texas Instruments unless user has obtained appropriate experimental/development licenses from local regulatory authorities, which is responsibility of user including its acceptable authorization.

For EVMs annotated as FCC – FEDERAL COMMUNICATIONS COMMISSION Part 15 Compliant

Caution

This device complies with part 15 of the FCC Rules. Operation is subject to the following two conditions: (1) This device may not cause harmful interference, and (2) this device must accept any interference received, including interference that may cause undesired operation.

Changes or modifications not expressly approved by the party responsible for compliance could void the user's authority to operate the equipment.

FCC Interference Statement for Class A EVM devices

This equipment has been tested and found to comply with the limits for a Class A digital device, pursuant to part 15 of the FCC Rules. These limits are designed to provide reasonable protection against harmful interference when the equipment is operated in a commercial environment. This equipment generates, uses, and can radiate radio frequency energy and, if not installed and used in accordance with the instruction manual, may cause harmful interference to radio communications. Operation of this equipment in a residential area is likely to cause harmful interference in which case the user will be required to correct the interference at his own expense.

FCC Interference Statement for Class B EVM devices

This equipment has been tested and found to comply with the limits for a Class B digital device, pursuant to part 15 of the FCC Rules. These limits are designed to provide reasonable protection against harmful interference in a residential installation. This equipment generates, uses and can radiate radio frequency energy and, if not installed and used in accordance with the instructions, may cause harmful interference to radio communications. However, there is no guarantee that interference will not occur in a particular installation. If this equipment does cause harmful interference to radio or television reception, which can be determined by turning the equipment off and on, the user is encouraged to try to correct the interference by one or more of the following measures:

- Reorient or relocate the receiving antenna.
- Increase the separation between the equipment and receiver.
- Connect the equipment into an outlet on a circuit different from that to which the receiver is connected.
- Consult the dealer or an experienced radio/TV technician for help.

For EVMs annotated as IC – INDUSTRY CANADA Compliant

This Class A or B digital apparatus complies with Canadian ICES-003.

Changes or modifications not expressly approved by the party responsible for compliance could void the user's authority to operate the equipment.

Concerning EVMs including radio transmitters

This device complies with Industry Canada licence-exempt RSS standard(s). Operation is subject to the following two conditions: (1) this device may not cause interference, and (2) this device must accept any interference, including interference that may cause undesired operation of the device.

Concerning EVMs including detachable antennas

Under Industry Canada regulations, this radio transmitter may only operate using an antenna of a type and maximum (or lesser) gain approved for the transmitter by Industry Canada. To reduce potential radio interference to other users, the antenna type and its gain should be so chosen that the equivalent isotropically radiated power (e.i.r.p.) is not more than that necessary for successful communication.

This radio transmitter has been approved by Industry Canada to operate with the antenna types listed in the user guide with the maximum permissible gain and required antenna impedance for each antenna type indicated. Antenna types not included in this list, having a gain greater than the maximum gain indicated for that type, are strictly prohibited for use with this device.

~

Cet appareil numérique de la classe A ou B est conforme à la norme NMB-003 du Canada.

Les changements ou les modifications pas expressément approuvés par la partie responsable de la conformité ont pu vider l'autorité de l'utilisateur pour actionner l'équipement.

Concernant les EVMs avec appareils radio

Le présent appareil est conforme aux CNR d'Industrie Canada applicables aux appareils radio exempts de licence. L'exploitation est autorisée aux deux conditions suivantes : (1) l'appareil ne doit pas produire de brouillage, et (2) l'utilisateur de l'appareil doit accepter tout brouillage radioélectrique subi, même si le brouillage est susceptible d'en compromettre le fonctionnement.

Concernant les EVMs avec antennes détachables

Conformément à la réglementation d'Industrie Canada, le présent émetteur radio peut fonctionner avec une antenne d'un type et d'un gain maximal (ou inférieur) approuvé pour l'émetteur par Industrie Canada. Dans le but de réduire les risques de brouillage radioélectrique à l'intention des autres utilisateurs, il faut choisir le type d'antenne et son gain de sorte que la puissance isotrope rayonnée équivalente (p.i.r.e.) ne dépasse pas l'intensité nécessaire à l'établissement d'une communication satisfaisante.

Le présent émetteur radio a été approuvé par Industrie Canada pour fonctionner avec les types d'antenne énumérés dans le manuel d'usage et ayant un gain admissible maximal et l'impédance requise pour chaque type d'antenne. Les types d'antenne non inclus dans cette liste, ou dont le gain est supérieur au gain maximal indiqué, sont strictement interdits pour l'exploitation de l'émetteur.

Important Notice for Users of this Product in Japan]

This development kit is NOT certified as Confirming to Technical Regulations of Radio Law of Japan!

If you use this product in Japan, you are required by Radio Law of Japan to follow the instructions below with respect to this product:

(1) Use this product in a shielded room or any other test facility as defined in the notification #173 issued by Ministry of Internal Affairs and Communications on March 28, 2006, based on Sub-section 1.1 of Article 6 of the Ministry's Rule for Enforcement of Radio Law of Japan,

(2) Use this product only after you obtained the license of Test Radio Station as provided in Radio Law of Japan with respect to this product, or

(3) Use of this product only after you obtained the Technical Regulations Conformity Certification as provided in Radio Law of Japan with respect to this product.

Also, please do not transfer this product, unless you give the same notice above to the transferee.

Please note that if you could not follow the instructions above, you will be subject to penalties of Radio Law of Japan.

Texas Instruments Japan Limited
(address) 24-1, Nishi-Shinjuku 6 chome, Shinjuku-ku, Tokyo, Japan

<http://www.tij.co.jp>

【ご使用にあたっての注意】

本開発キットは技術基準適合証明を受けておりません。

本製品のご使用に際しては、電波法遵守のため、以下のいずれかの措置を取っていただく必要がありますのでご注意ください。

- (1) 電波法施行規則第6条第1項第1号に基づく平成18年3月28日総務省告示第173号で定められた電波暗室等の試験設備でご使用いただく。
- (2) 実験局の免許を取得後ご使用いただく。
- (3) 技術基準適合証明を取得後ご使用いただく。

なお、本製品は、上記の「ご使用にあたっての注意」を譲渡先、移転先に通知しない限り、譲渡、移転できないものとなります。

上記を遵守頂けない場合は、電波法の罰則が適用される可能性があることをご留意ください。

日本テキサス・インスツルメンツ株式会社
東京都新宿区西新宿6丁目24番1号
西新宿三井ビル
<http://www.tij.co.jp>

EVALUATION BOARD/KIT/MODULE (EVM)

WARNINGS, RESTRICTIONS AND DISCLAIMERS

For Feasibility Evaluation Only, in Laboratory/Development Environments. Unless otherwise indicated, this EVM is not a finished electrical equipment and not intended for consumer use. It is intended solely for use for preliminary feasibility evaluation in laboratory/development environments by technically qualified electronics experts who are familiar with the dangers and application risks associated with handling electrical mechanical components, systems and subsystems. It should not be used as all or part of a finished end product.

Your Sole Responsibility and Risk. You acknowledge, represent and agree that:

1. You have unique knowledge concerning Federal, State and local regulatory requirements (including but not limited to Food and Drug Administration regulations, if applicable) which relate to your products and which relate to your use (and/or that of your employees, affiliates, contractors or designees) of the EVM for evaluation, testing and other purposes.
2. You have full and exclusive responsibility to assure the safety and compliance of your products with all such laws and other applicable regulatory requirements, and also to assure the safety of any activities to be conducted by you and/or your employees, affiliates, contractors or designees, using the EVM. Further, you are responsible to assure that any interfaces (electronic and/or mechanical) between the EVM and any human body are designed with suitable isolation and means to safely limit accessible leakage currents to minimize the risk of electrical shock hazard.
3. You will employ reasonable safeguards to ensure that your use of the EVM will not result in any property damage, injury or death, even if the EVM should fail to perform as described or expected.
4. You will take care of proper disposal and recycling of the EVM's electronic components and packing materials.

Certain Instructions. It is important to operate this EVM within TI's recommended specifications and environmental considerations per the user guidelines. Exceeding the specified EVM ratings (including but not limited to input and output voltage, current, power, and environmental ranges) may cause property damage, personal injury or death. If there are questions concerning these ratings please contact a TI field representative prior to connecting interface electronics including input power and intended loads. Any loads applied outside of the specified output range may result in unintended and/or inaccurate operation and/or possible permanent damage to the EVM and/or interface electronics. Please consult the EVM User's Guide prior to connecting any load to the EVM output. If there is uncertainty as to the load specification, please contact a TI field representative. During normal operation, some circuit components may have case temperatures greater than 60°C as long as the input and output are maintained at a normal ambient operating temperature. These components include but are not limited to linear regulators, switching transistors, pass transistors, and current sense resistors which can be identified using the EVM schematic located in the EVM User's Guide. When placing measurement probes near these devices during normal operation, please be aware that these devices may be very warm to the touch. As with all electronic evaluation tools, only qualified personnel knowledgeable in electronic measurement and diagnostics normally found in development environments should use these EVMs.

Agreement to Defend, Indemnify and Hold Harmless. You agree to defend, indemnify and hold TI, its licensors and their representatives harmless from and against any and all claims, damages, losses, expenses, costs and liabilities (collectively, "Claims") arising out of or in connection with any use of the EVM that is not in accordance with the terms of the agreement. This obligation shall apply whether Claims arise under law of tort or contract or any other legal theory, and even if the EVM fails to perform as described or expected.

Safety-Critical or Life-Critical Applications. If you intend to evaluate the components for possible use in safety critical applications (such as life support) where a failure of the TI product would reasonably be expected to cause severe personal injury or death, such as devices which are classified as FDA Class III or similar classification, then you must specifically notify TI of such intent and enter into a separate Assurance and Indemnity Agreement.

IMPORTANT NOTICE

Texas Instruments Incorporated and its subsidiaries (TI) reserve the right to make corrections, modifications, enhancements, improvements, and other changes to its products and services at any time and to discontinue any product or service without notice. Customers should obtain the latest relevant information before placing orders and should verify that such information is current and complete. All products are sold subject to TI's terms and conditions of sale supplied at the time of order acknowledgment.

TI warrants performance of its hardware products to the specifications applicable at the time of sale in accordance with TI's standard warranty. Testing and other quality control techniques are used to the extent TI deems necessary to support this warranty. Except where mandated by government requirements, testing of all parameters of each product is not necessarily performed.

TI assumes no liability for applications assistance or customer product design. Customers are responsible for their products and applications using TI components. To minimize the risks associated with customer products and applications, customers should provide adequate design and operating safeguards.

TI does not warrant or represent that any license, either express or implied, is granted under any TI patent right, copyright, mask work right, or other TI intellectual property right relating to any combination, machine, or process in which TI products or services are used. Information published by TI regarding third-party products or services does not constitute a license from TI to use such products or services or a warranty or endorsement thereof. Use of such information may require a license from a third party under the patents or other intellectual property of the third party, or a license from TI under the patents or other intellectual property of TI. Reproduction of information in TI data books or data sheets is permissible only if reproduction is without alteration and is accompanied by all associated warranties, conditions, limitations, and notices.

Reproduction of this information with alteration is an unfair and deceptive business practice. TI is not responsible or liable for such altered documentation. Resale of TI products or services with statements different from or beyond the parameters stated by TI for that product or service voids all express and any implied warranties for the associated TI product or service and is an unfair and deceptive business practice. TI is not responsible or liable for any such statements.

TI products are not authorized for use in safety-critical applications (such as life support) where a failure of the TI product would reasonably be expected to cause severe personal injury or death, unless officers of the parties have executed an agreement specifically governing such use. Buyers represent that they have all necessary expertise in the safety and regulatory ramifications of their applications, and acknowledge and agree that they are solely responsible for all legal, regulatory and safety-related requirements concerning their products and any use of TI products in such safety-critical applications, notwithstanding any applications-related information or support that may be provided by TI. Further, Buyers must fully indemnify TI and its representatives against any damages arising out of the use of TI products in such safety-critical applications.

TI products are neither designed nor intended for use in military/aerospace applications or environments unless the TI products are specifically designated by TI as military-grade or "enhanced plastic." Only products designated by TI as military-grade meet military specifications. Buyers acknowledge and agree that any such use of TI products which TI has not designated as military-grade is solely at the Buyer's risk, and that they are solely responsible for compliance with all legal and regulatory requirements in connection with such use.

TI products are neither designed nor intended for use in automotive applications or environments unless the specific TI products are designated by TI as compliant with ISO/TS 16949 requirements. Buyers acknowledge and agree that, if they use any non-designated products in automotive applications, TI will not be responsible for any failure to meet such requirements.

Following are URLs where you can obtain information on other Texas Instruments products and application solutions:

Products

Amplifiers	amplifier.ti.com
Data Converters	dataconverter.ti.com
DSP	dsp.ti.com
Interface	interface.ti.com
Logic	logic.ti.com
Power Mgmt	power.ti.com
Microcontrollers	microcontroller.ti.com
RFID	www.ti-rfid.com
Low Power	www.ti.com/lpw
Wireless	

Applications

Audio	www.ti.com/audio
Automotive	www.ti.com/automotive
Broadband	www.ti.com/broadband
Digital Control	www.ti.com/digitalcontrol
Military	www.ti.com/military
Optical Networking	www.ti.com/opticalnetwork
Security	www.ti.com/security
Telephony	www.ti.com/telephony
Video & Imaging	www.ti.com/video
Wireless	www.ti.com/wireless

Mailing Address: Texas Instruments, Post Office Box 655303, Dallas, Texas 75265

Copyright © 2007, Texas Instruments Incorporated