

4

3

2

1

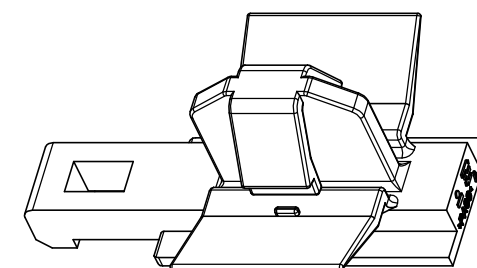
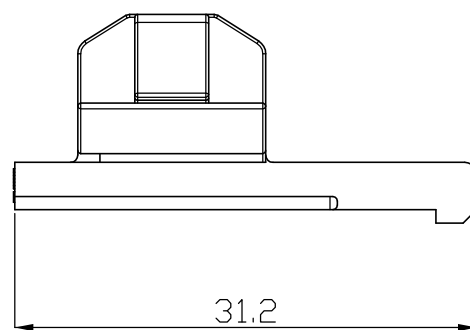
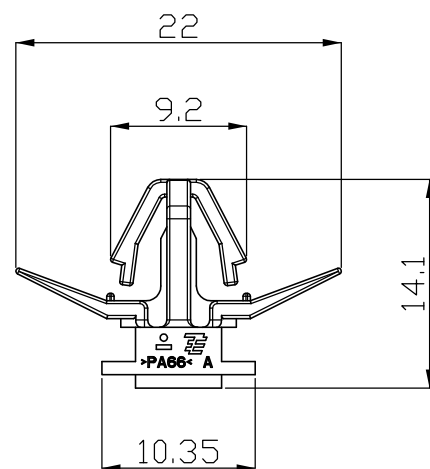
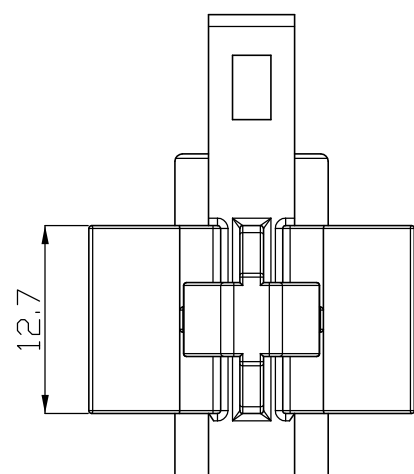
THIS DRAWING IS UNPUBLISHED.

RELEASED FOR PUBLICATION

20

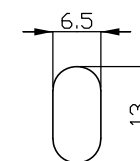
© COPYRIGHT 20 BY TYCO ELECTRONICS CORPORATION. ALL RIGHTS RESERVED.

LOC	DIST	REVISIONS			
P	LTR	DESCRIPTION	DATE	DWN	APVD
DS	-	RELEASE	23 JUN'10	SJ	JK



ISOMETRIC VIEW

PANEL HOLE



PANEL THICKNESS : 1.5mm

- NOTE :
1. GENERAL TOLERANCE : $\pm 0.3, \pm 0.3^\circ$
 2. THE MATING PLUG HSG P/N : 1452484

2005039-2	PA66	BLACK
P/N	MATERIAL	COLOR

<small>THIS DRAWING IS A CONTROLLED DOCUMENT FOR TYCO ELECTRONICS CORPORATION IT IS SUBJECT TO CHANGE AND THE CONTROLLING ENGINEERING ORGANIZATION SHOULD BE CONTACTED FOR THE LATEST REVISION.</small>		DWN	-	Tyco Electronics Kyungsan, Korea															
DIMENSIONS: mm		CHK	-	NAME															
		APVD	-	-															
<table border="1"> <tr><th colspan="2">TOLERANCES UNLESS OTHERWISE SPECIFIED</th></tr> <tr><td>0 PLC</td><td>\pm</td></tr> <tr><td>1 PLC</td><td>± 0.5</td></tr> <tr><td>2 PLC</td><td>± 0.13</td></tr> <tr><td>3 PLC</td><td>± 0.013</td></tr> <tr><td>4 PLC</td><td>± 0.0001</td></tr> <tr><td>ANGLES</td><td>\pm</td></tr> </table>		TOLERANCES UNLESS OTHERWISE SPECIFIED		0 PLC	\pm	1 PLC	± 0.5	2 PLC	± 0.13	3 PLC	± 0.013	4 PLC	± 0.0001	ANGLES	\pm	PRODUCT SPEC	-	SLOT CLIP FOR FAKRA 2P HSG	
TOLERANCES UNLESS OTHERWISE SPECIFIED																			
0 PLC	\pm																		
1 PLC	± 0.5																		
2 PLC	± 0.13																		
3 PLC	± 0.013																		
4 PLC	± 0.0001																		
ANGLES	\pm																		
MATERIAL	SEE TABLE	FINISH	SEE TABLE	APPLICATION SPEC	-														
		WEIGHT	-	SIZE	A3														
		CUSTOMER DRAWING		CAGE CODE	00779														
				DRAWING NO	C=2005039														
				RESTRICTED TO	-														
				SCALE	1:1														
				SHEET	1 OF 1														
				REV	A														