



**ANATECH ELECTRONICS INC**  
RF & Microwave Filters & Products

# 480 MHz LC Band Pass Filter

**Part Number: AE480B11271**



## Electrical Specifications

**Center Frequency:** 480 MHz  
**-3dB Pass Band:** 467-493 MHz Min  
**-50dB Bandwidth:** 120 MHz Max  
**Insertion Loss:** 5.0 dB Max at 480 MHz  
**In/Out VSWR:** 1.25:1 Max at 480 MHz  
**Stopbands:** >60 dB @ 240 MHz  
                   >60 dB @ 420 MHz

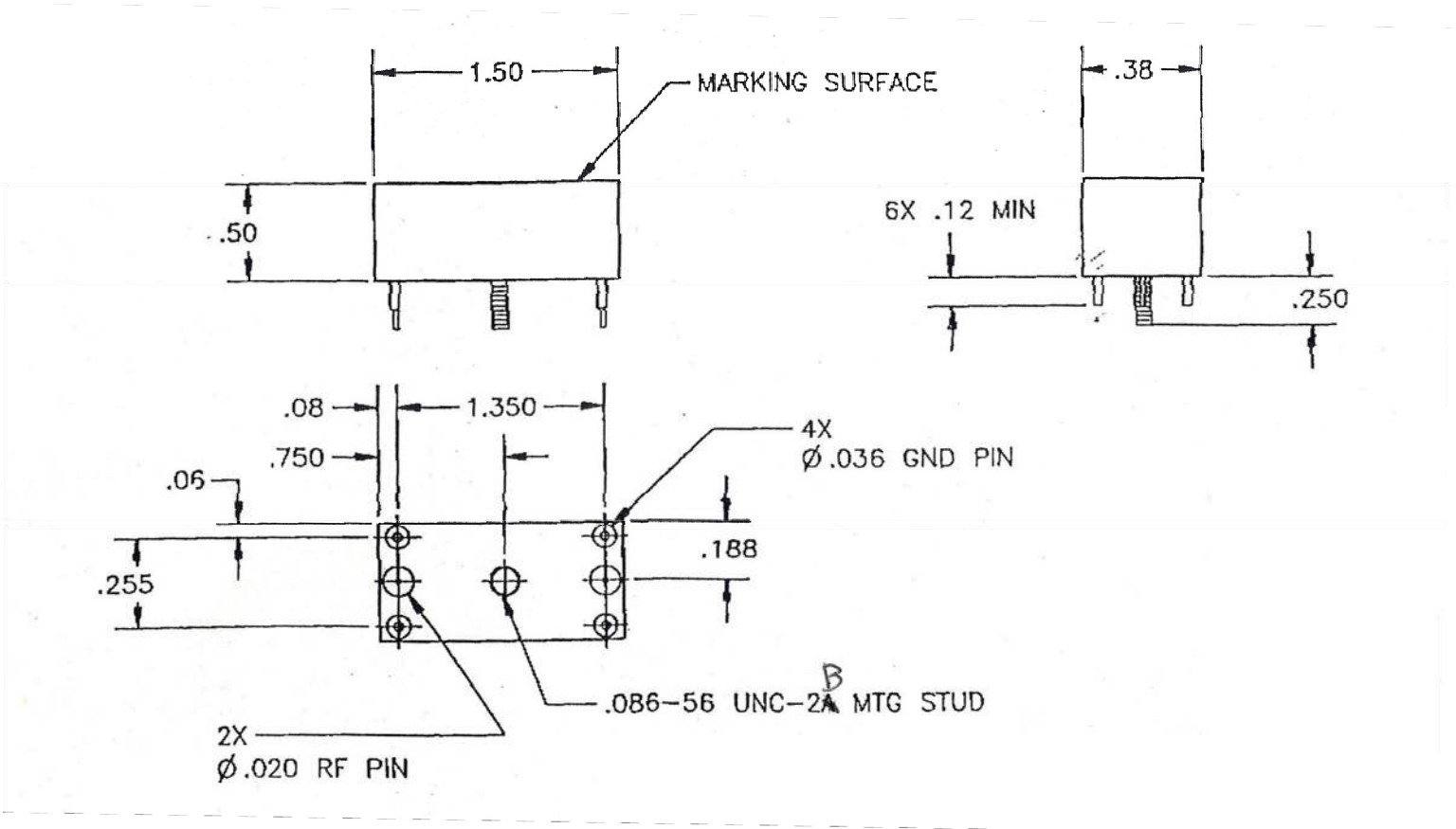
## Mechanical

**Connector Type:** RF Pins  
**Dimensions:** 1.50 x 0.38 x 0.50 Inches

## Environmental

**Operating Temperature:** -30 to +85° C  
**Storage Temperature:** -40 to +95° C  
**Shock:** 20 G. 11 ms  
**Vibration:** 20 G. 5 to 200 MHz

## Outline Drawing:



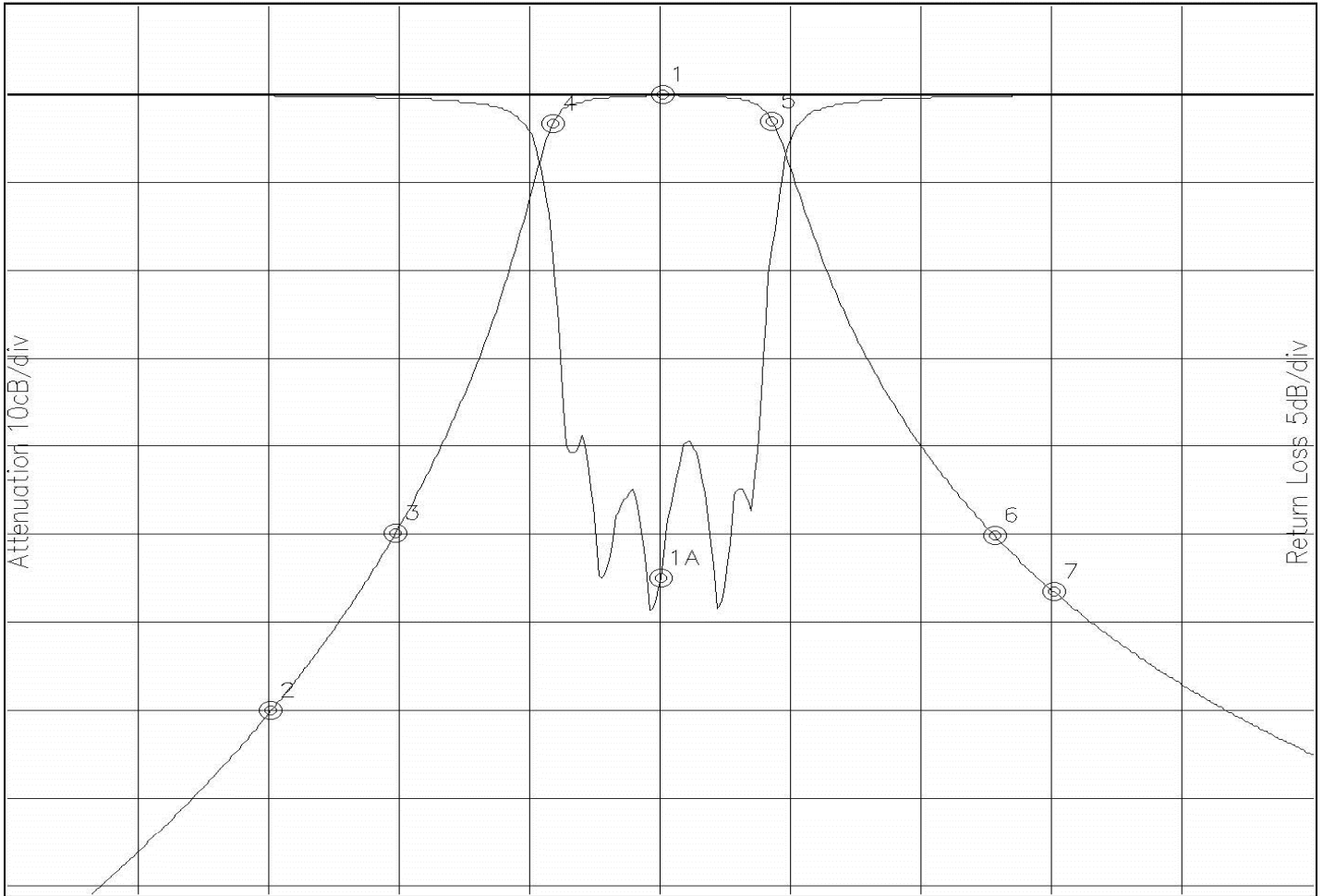


**Response Plot:**

A509.lad

DEC 10, 2015

Attenuation/Return Loss



Attenuation Start: 380.0MHz Stop: 580.0MHz

Return Loss Start: 380.0MHz Stop: 580.0MHz

Offset -1.7391dB

- Marker 1 Freq 480.16MHz Atten -0.085dB
- Marker 2 Freq 420.06MHz Atten -69.873dB
- Marker 3 Freq 439.12MHz Atten -49.822dB
- Marker 4 Freq 463.36MHz Atten -3.221dB
- Marker 5 Freq 496.96MHz Atten -2.986dB
- Marker 6 Freq 531.21MHz Atten -50.080dB
- Marker 7 Freq 540.25MHz Atten -56.402dB

Marker 1A Freq 479.83MHz Ret Loss -27.394dB