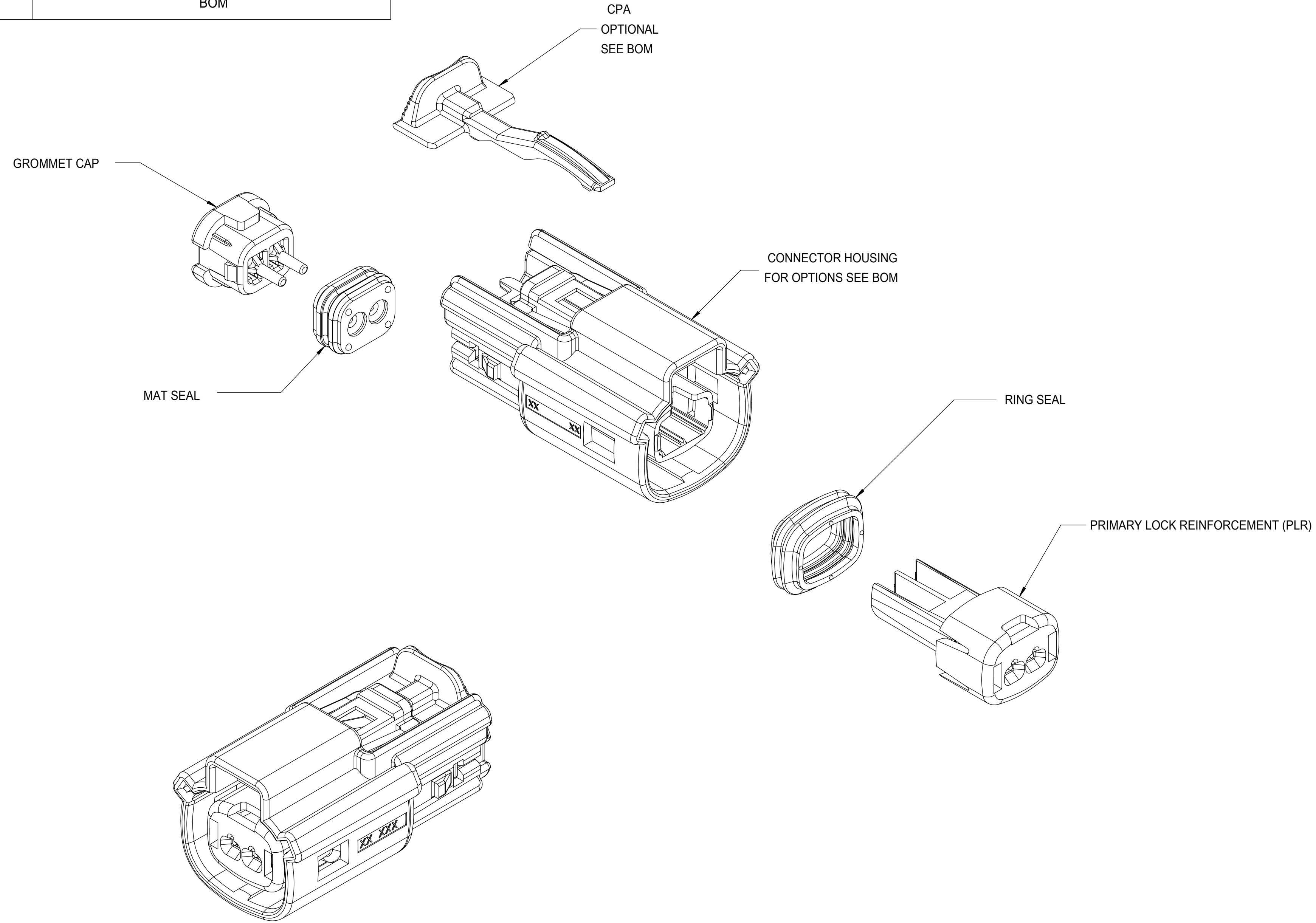


TABLE OF CONTENTS	
SHEET NO.	SHEET DESCRIPTION
1	NOTES
2	KEY CONFIGURATIONS
3	RECEPTACLE SEALED ASSEMBLY
4	BACKSHELL NOTES
5	BACKSHELL
6	BACKSHELL CONFIGURATIONS
7	BOM



NOTES: VALID UNLESS OTHERWISE SPECIFIED

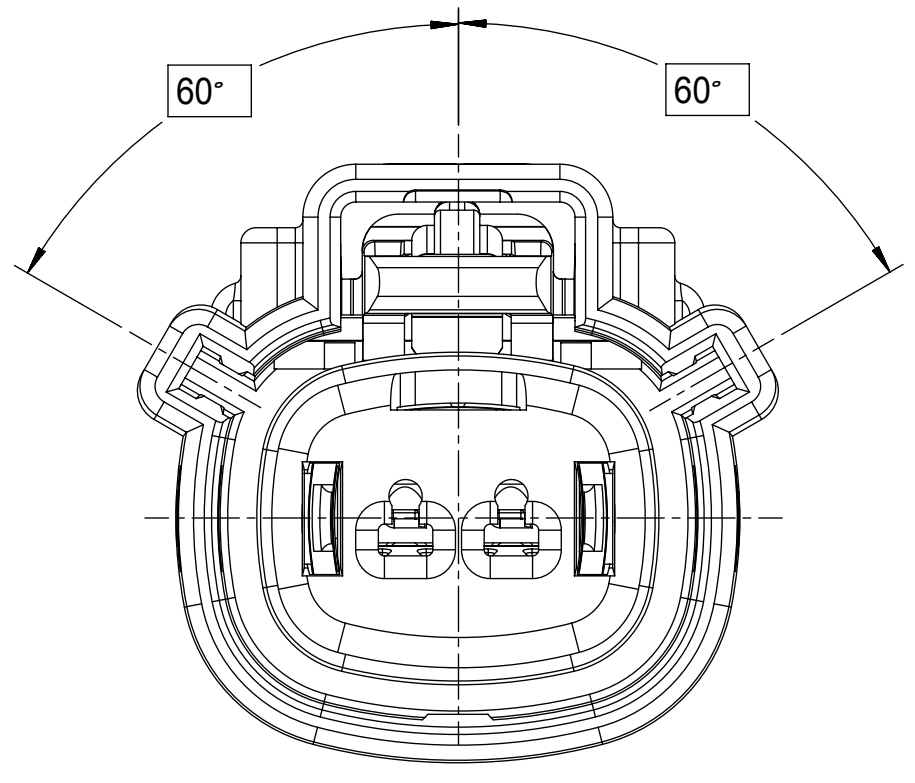
1. GENERAL:
 - a. APPLICATION SPECIFICATION SEE: AS-33472-100
 - CONTAINS: PRODUCT INTRODUCTION, PRODUCT SUMMARY, CONNECTOR ASSEMBLY, PACKAGING INFORMATION, CONNECTOR MATING, SERVICE INSTRUCTIONS, ELECTRICAL CONTINUITY CHECKING, CRIMPING, AND TROUBLESHOOTING.
 - DESIGNED TO MATE WITH DEVICE CONNECTION AS SPECIFIED IN DRAWING EWCAP 150-S-002-1-Z05, AVAILABLE AT <http://ewcap.uscarteams.org>.
 - DESIGNED TO MATE WITH BLADE SEALED ASSEMBLY AS SPECIFIED IN DRAWING SD-33481-021
 - FOR 1.5mm RECEPTACLE TERMINALS TO BE USED WITH THIS ASSEMBLY. SEE MOLEX DRAWING SD-33012-002.
 - SYSTEM TO BE USED WITH WIRE WITHIN DIAMETER RANGE OF 1.2 mm TO 2.69 mm.
 - ASSEMBLY SHIPPED WITH PLR AND CPA IN PRE-LOCK POSITION (SEE SECTION Z-Z PRE-LOCK).
 - IN THE EVENT THAT THE PLR IS FOUND IN THE SEATED (FINAL LOCK) POSITION, REFER TO MOLEX SPECIFICATION PS-34646-001, AVAILABLE AT www.molex.com <http://www.molex.com>.
 - ASSEMBLY CONFORMS TO SAE/USCAR-2 REV.4 WITH THE FOLLOWING EXCEPTIONS: ENGAGEMENT FORCE TO MOVE CPA FROM PRE-LOCK TO FINAL LOCK POSITION WHEN UNMATED: 40N MIN. DISENGAGEMENT FORCE TO MOVE CPA FROM FINAL LOCK TO PRE-LOCK POSITION: 3N MIN, 40N MAX. TERMINAL INSERTION FORCE FOR WIRE DIAMETER ABOVE 2.5mm NOT EXCEEDING 2.69mm SHALL NOT EXCEED 40 NEWTONS.
 - b. PRODUCT SPECIFICATION SEE: PS-33471-000
 - CONTAINS: PRODUCT INTRODUCTION, PRODUCT SUMMARY, RATINGS (CURRENT, TEMPERATURE, SEALING, AND FLAMMABILITY), AND PRODUCT VALIDATION.
 - c. PACKAGING SPECIFICATION PER MOLEX DRAWING: PK-31300-635
 - d. PARTS MUST BE IN COMPLIANCE TO MOLEX CHEMICAL SUBSTANCES FOR PRODUCTS AND PACKAGING SPECIFICATION: ES-40000-5016
 - e. DATA MUST BE SUBMITTED UNDER THE MOLEX PART NUMBER TO IMDS (COMPANY ID#13255)
2. DESIGN - MATERIALS:
 - a. SEE BOM TABLE
3. DESIGN - GEOMETRY:
 - a. THIS IS A 100% CAD GENERATED PART. THE CAD MATHEMATICAL DATA IS THE MASTER FOR THIS PART. FOR DIMENSIONAL OR ANY INFORMATION NOT SHOWN ON THIS DRAWING, ANALYZE THE CAD MODEL.
 - b. GEOMETRIC DIMENSIONS AND TOLERANCES PER ASME Y14.5M - 1994
 - c. EDGES AND UNDIMENSIONED DETAILS PER ISO13715
 - d. CORNERS SHOWN AS SHARP TO BE R 0.2 MAX.
 - e. LETTERING SHALL BE 0.15 MAX RAISED IN 0.25 MAX RECESS PAD. THIS INCLUDES RECYCLING CODE, CAVITY ID, VENDOR IDENTIFICATION, AND CUSTOMER MATERIAL NUMBER.
 - f. VISUAL DEFECTS SHALL MEET COSMETIC STANDARD PS-45499-002 (Class B)
 - g. LASER MARKING: TBD

INSPECTION NUMBER LOG
 LAST NUMBER USED: 5
 ADDED:
 REMOVED:

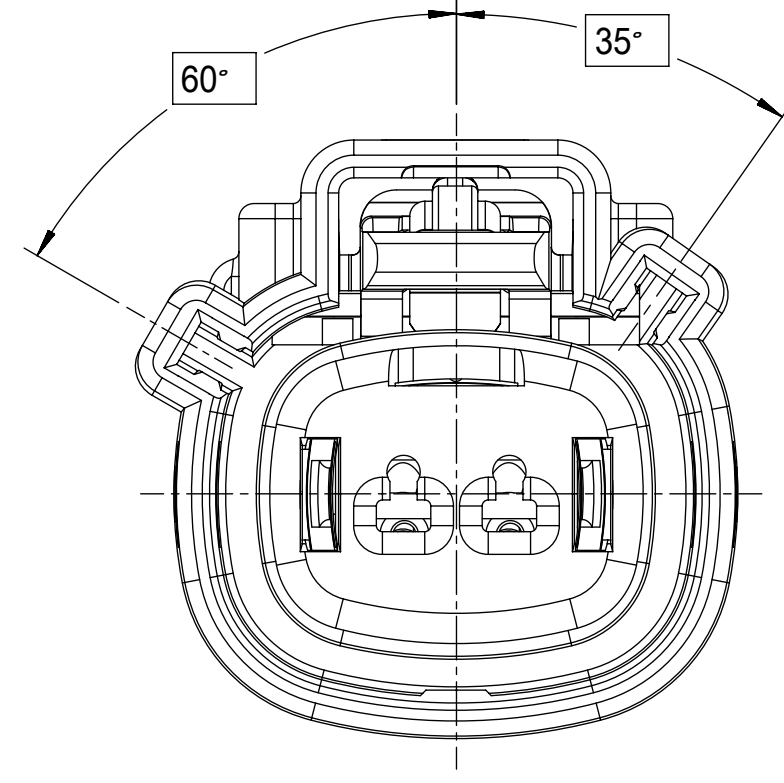
C12	UPDATED THE DRAWING FRAME
C11	ADD NEW P/N 33471-0224
C10	ADD NEW P/N 33471-0223
C9	UPDATED VIEWSET & NOTES
C8	RENAMED BACKSHELLS
C7	UPDATED CONFIGURATIONS SHEET 3
C6	UPDATED PACKAGING SPECIFICATION
C5	UPDATED GROMMET CAP CALLOUT
C4	REDRAWN, ADDED BACKSHELL
REV	DESCRIPTION

FUNCTIONAL SYMBOLS	THIS DRAWING CONTAINS INFORMATION THAT IS PROPRIETARY TO MOLEX ELECTRONIC TECHNOLOGIES, LLC AND SHOULD NOT BE USED WITHOUT WRITTEN PERMISSION		CURRENT REV DESC:	
$\frac{F}{A} = 0$	DIMENSION UNITS	SCALE		
	mm	3:1		
$\frac{F}{C} = 0$	GENERAL TOLERANCES (UNLESS SPECIFIED)			
	ANGULAR TOL	$\pm 3.0^\circ$		
$\frac{F}{D} = 0$	4 PLACES	\pm		
	3 PLACES	\pm		
	2 PLACES	± 0.1		
	1 PLACE	± 0.2		
	0 PLACES	\pm		
DIVISIONAL SYMBOLS	DRAFT WHERE APPLICABLE MUST REMAIN WITHIN DIMENSIONS		THIRD ANGLE PROJECTION	
			D-SIZE	
			SERIES	
			33471	
			DRAWING	
			2010/11/04	
			INITIAL REVISION:	
			DRWN: SVERZYL 2008/06/17	
			APPR: VKOSHY 2010/11/04	
			EC NO: 643941	
			DRWN: XLDONG03 2020/08/21	
			CHK'D: JDENG02 2020/08/26	
			APPR: JDENG02 2020/08/26	
			MATERIAL NUMBER	
			SD-33471-021	
			DOC TYPE	
			PSD	
			DOC PART	
			001	
			REVISION	
			C12	
			CUSTOMER	
			GENERAL MARKET	
			SHEET NUMBER	
			1 OF 7	

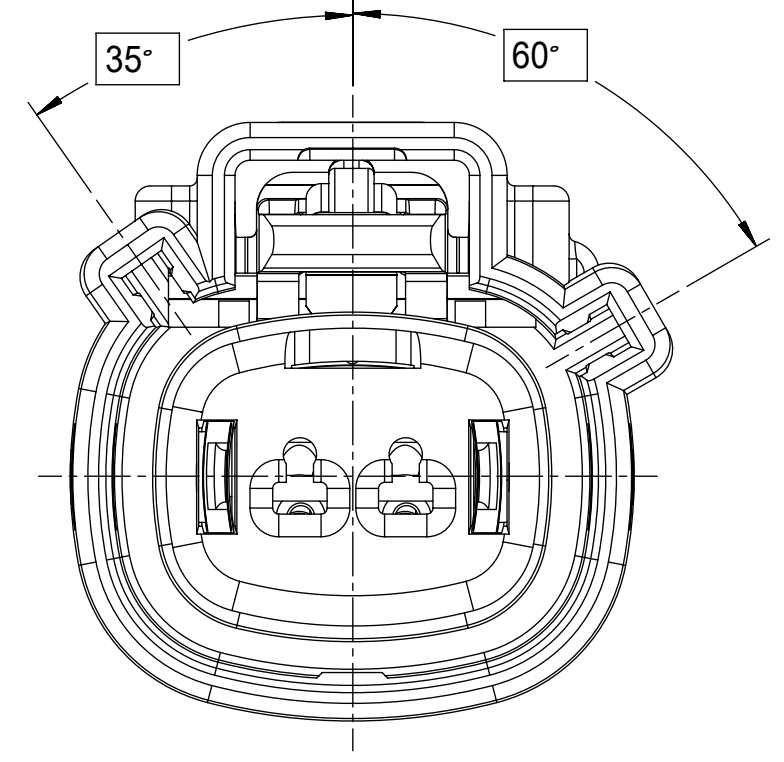
KEY CONFIGURATIONS



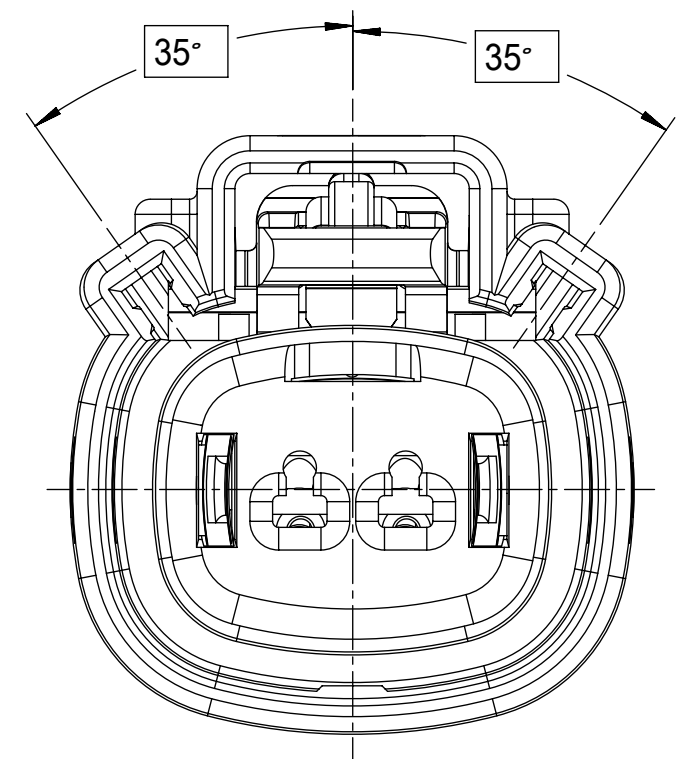
KEY A



KEY B



KEY C



KEY D

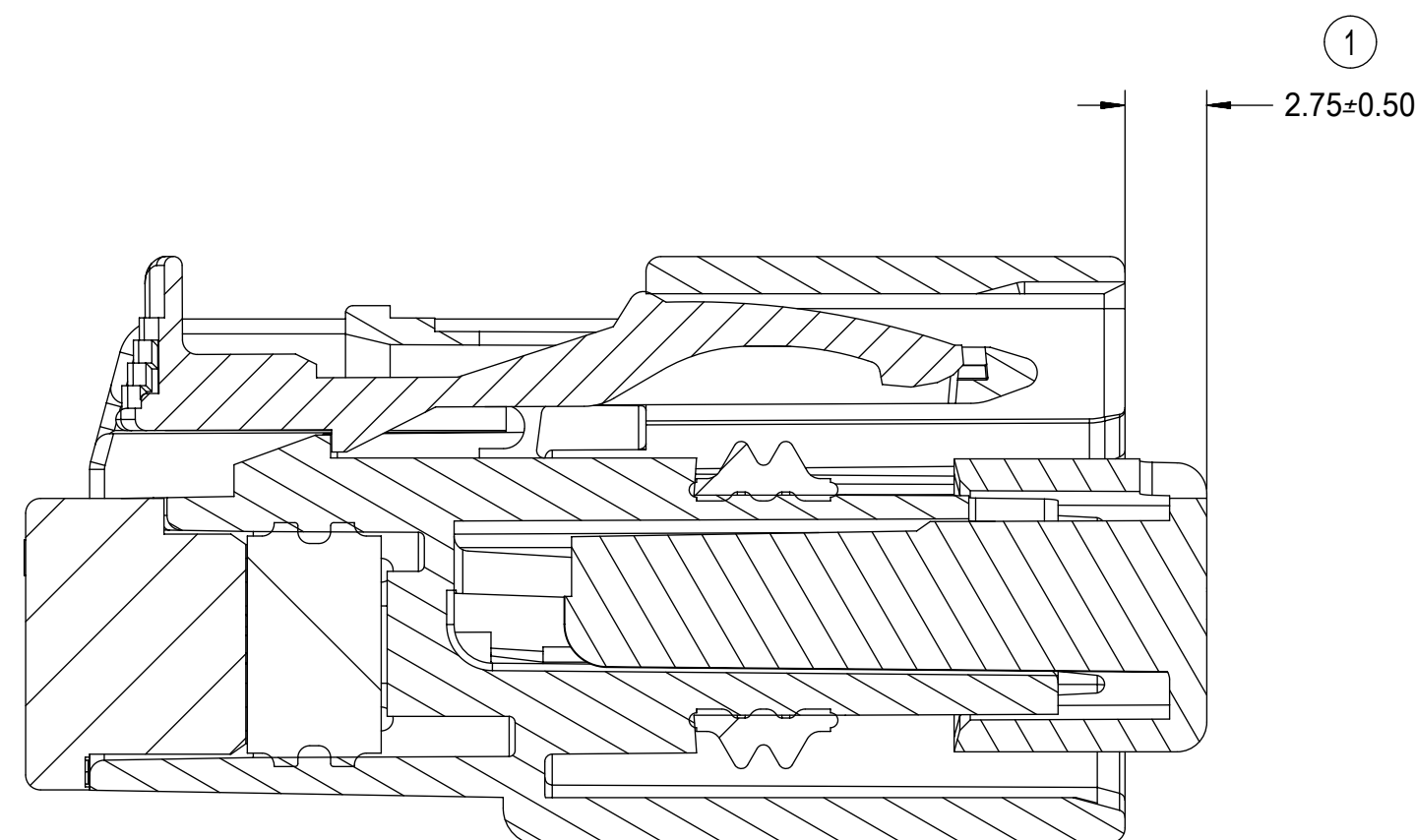
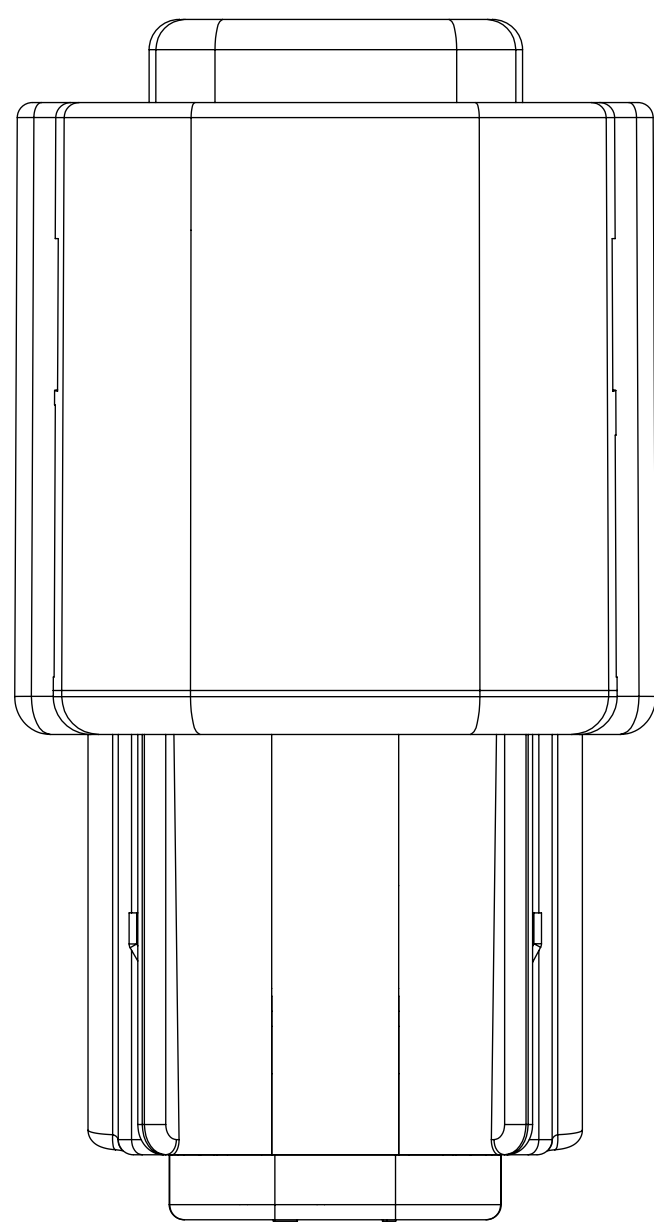
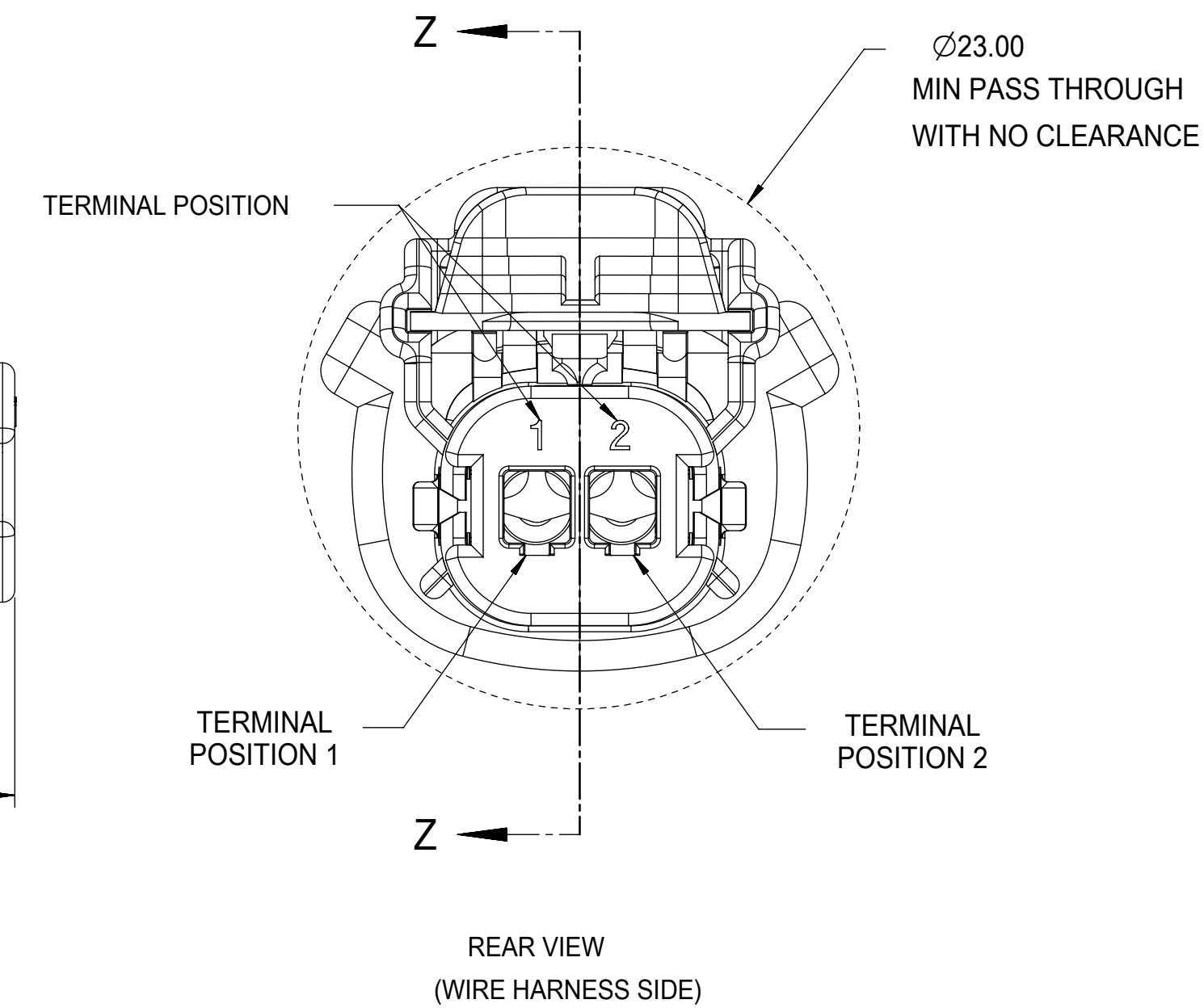
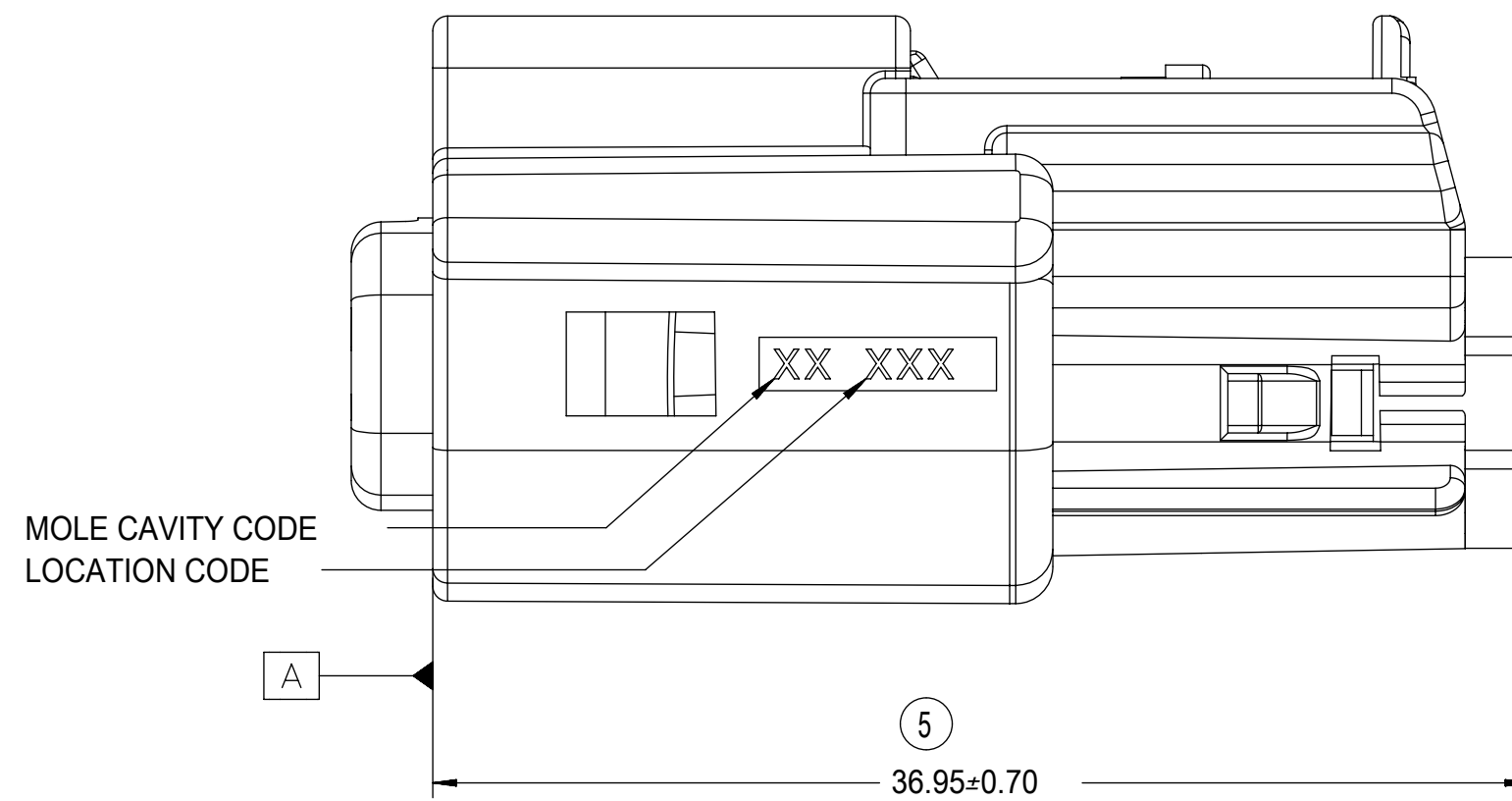
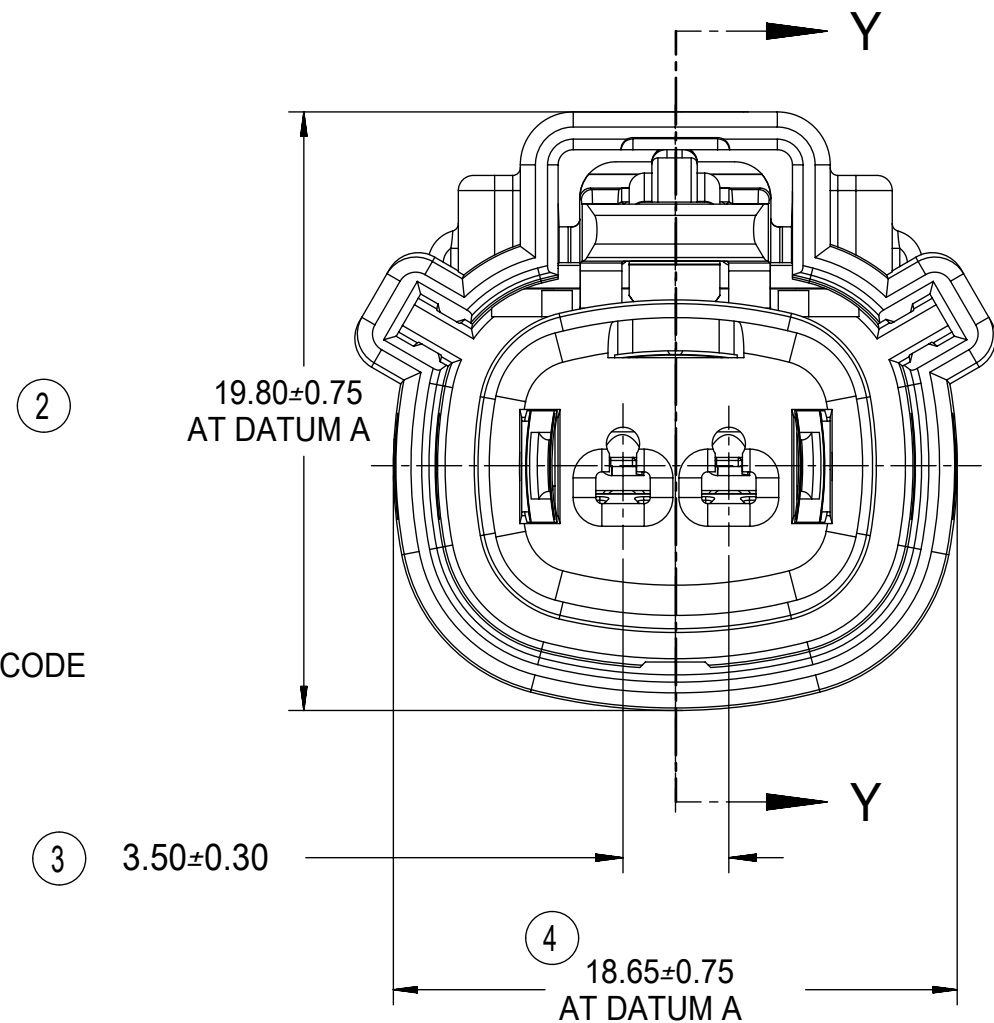
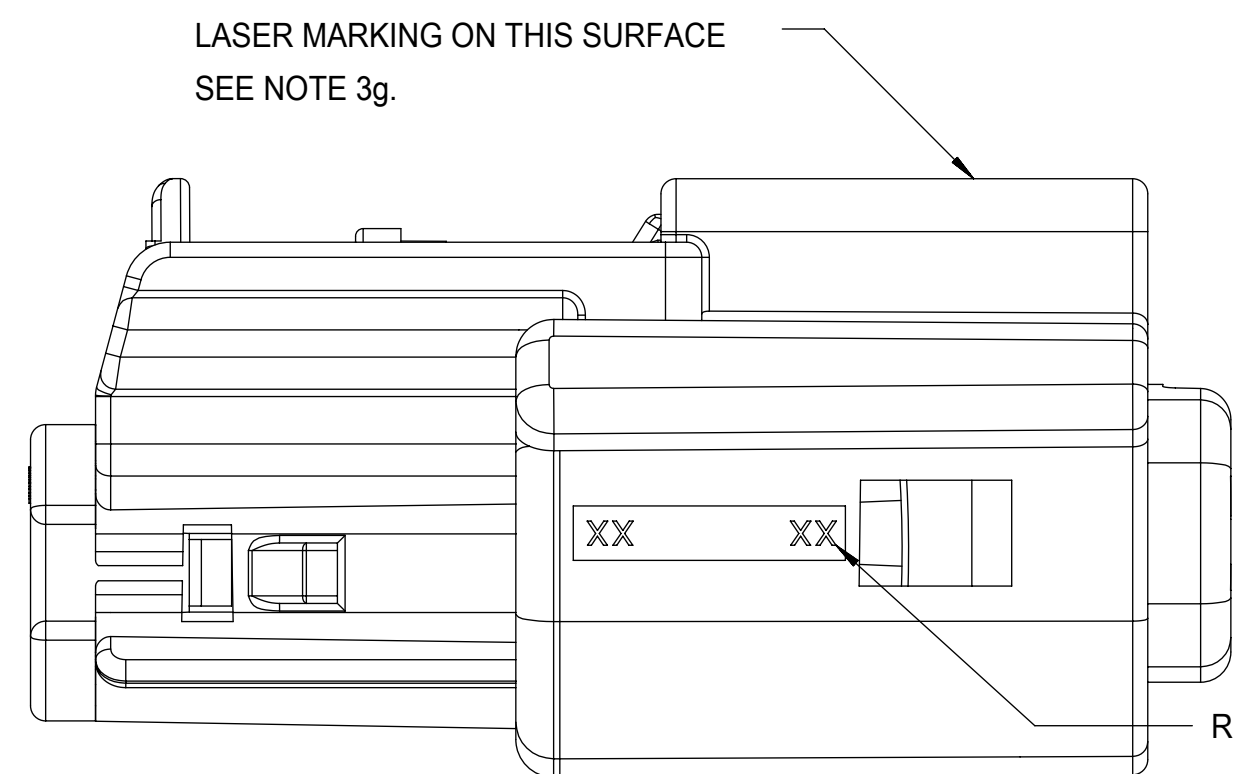
FUNCTIONAL SYMBOLS	THIS DRAWING CONTAINS INFORMATION THAT IS PROPRIETARY TO MOLEX ELECTRONIC TECHNOLOGIES, LLC AND SHOULD NOT BE USED WITHOUT WRITTEN PERMISSION		
	DIMENSION UNITS	SCALE	CURRENT REV DESC:
$\nabla_A = 0$	mm	4:1	
$\nabla_C = 0$	GENERAL TOLERANCES (UNLESS SPECIFIED)		
$\nabla_D = 0$	ANGULAR TOL $\pm 3.0^\circ$		
DIVISIONAL SYMBOLS	4 PLACES	\pm	EC NO: 643941
	3 PLACES	\pm	DRWN: XLDONG03 2020/08/21
	2 PLACES	± 0.1	CHK'D: JDENG02 2020/08/26
	1 PLACE	± 0.2	APPR: JDENG02 2020/08/26
	0 PLACES	\pm	INITIAL REVISION: DRWN: SVERZYL 2008/06/17 APPR: VKOSHY 2010/11/04
DRAFT WHERE APPLICABLE MUST REMAIN WITHIN DIMENSIONS		THIRD ANGLE PROJECTION	DRAWING SERIES MATERIAL NUMBER CUSTOMER SHEET NUMBER
			D-SIZE 33471 SEE BOM GENERAL MARKET 2 OF 7

molex

MX150 1X2 RECEPTACLE
SEALED ASSEMBLY MAT SEAL

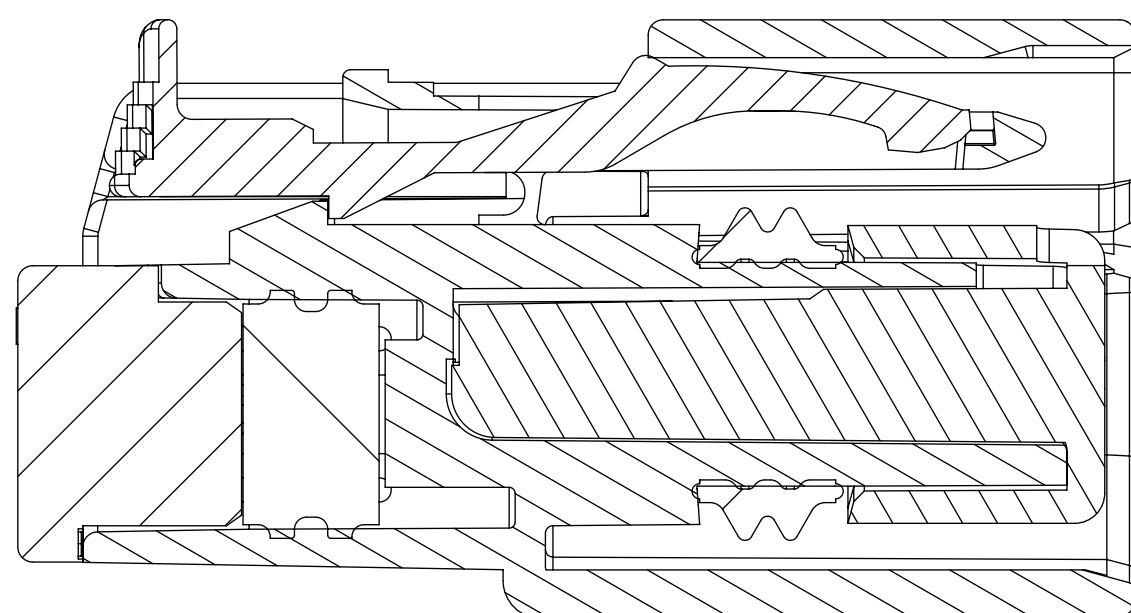
PRODUCT CUSTOMER DRAWING

DOCUMENT NUMBER	DOC TYPE	DOC PART	REVISION
SD-33471-021	PSD	001	C12



PRIMARY LOCK REINFORCEMENT (PLR) SHOWN
IN PRE-STAGED POSITION

SECTION Z-Z



PRIMARY LOCK REINFORCEMENT (PLR) SHOWN
IN FINAL-LOCK POSITION

SECTION Y-Y

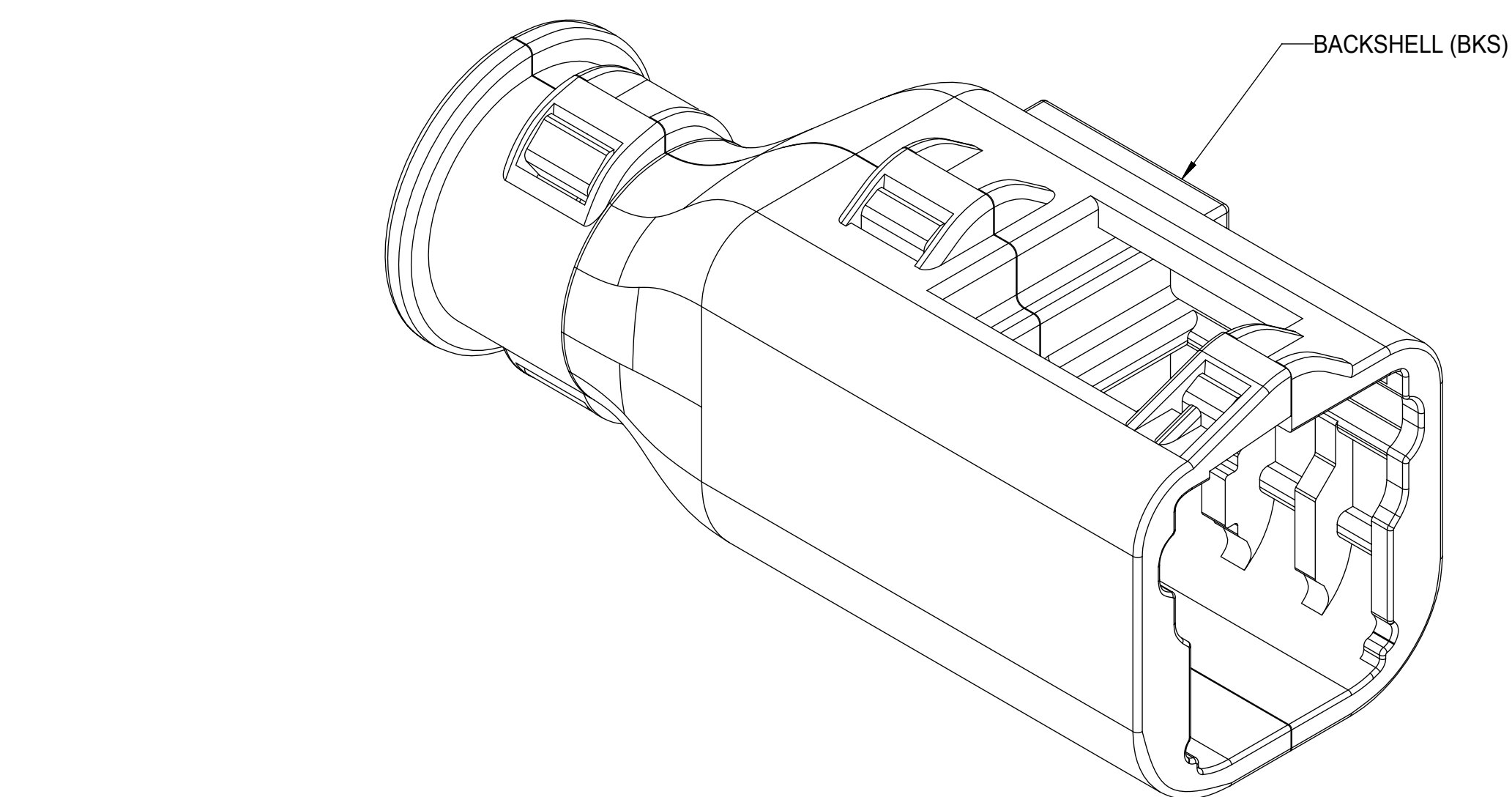
FUNCTIONAL SYMBOLS $F_A = 0$ $F_C = 0$ $F_D = 0$ DIVISIONAL SYMBOLS	THIS DRAWING CONTAINS INFORMATION THAT IS PROPRIETARY TO MOLEX ELECTRONIC TECHNOLOGIES, LLC AND SHOULD NOT BE USED WITHOUT WRITTEN PERMISSION		CURRENT REV DESC:	
	DIMENSION UNITS	SCALE	EC NO: 643941	
	mm	4:1	DRWN: XLDONG03	2020/08/21
	GENERAL TOLERANCES (UNLESS SPECIFIED)		CHK'D: JDENG02	2020/08/26
	ANGULAR TOL ± 3.0°		APPR: JDENG02	2020/08/26
4 PLACES ±		INITIAL REVISION:		
3 PLACES ±		DRWN: SVERZYL	2008/06/17	
2 PLACES ± 0.1		APPR: VKOSHY	2010/11/04	
1 PLACE ± 0.2		DRAFT WHERE APPLICABLE MUST REMAIN WITHIN DIMENSIONS		
0 PLACES ±		THIRD ANGLE PROJECTION	DRAWING	
			D-SIZE	
		SERIES	MATERIAL NUMBER	
		33471	SEE BOM	
		CUSTOMER	GENERAL MARKET	
		DOCUMENT NUMBER	DOC TYPE DOC PART REVISION	
		SD-33471-021	PSD 001 C12	
		SHEET NUMBER	3 OF 7	

BACKSHELL NOTES

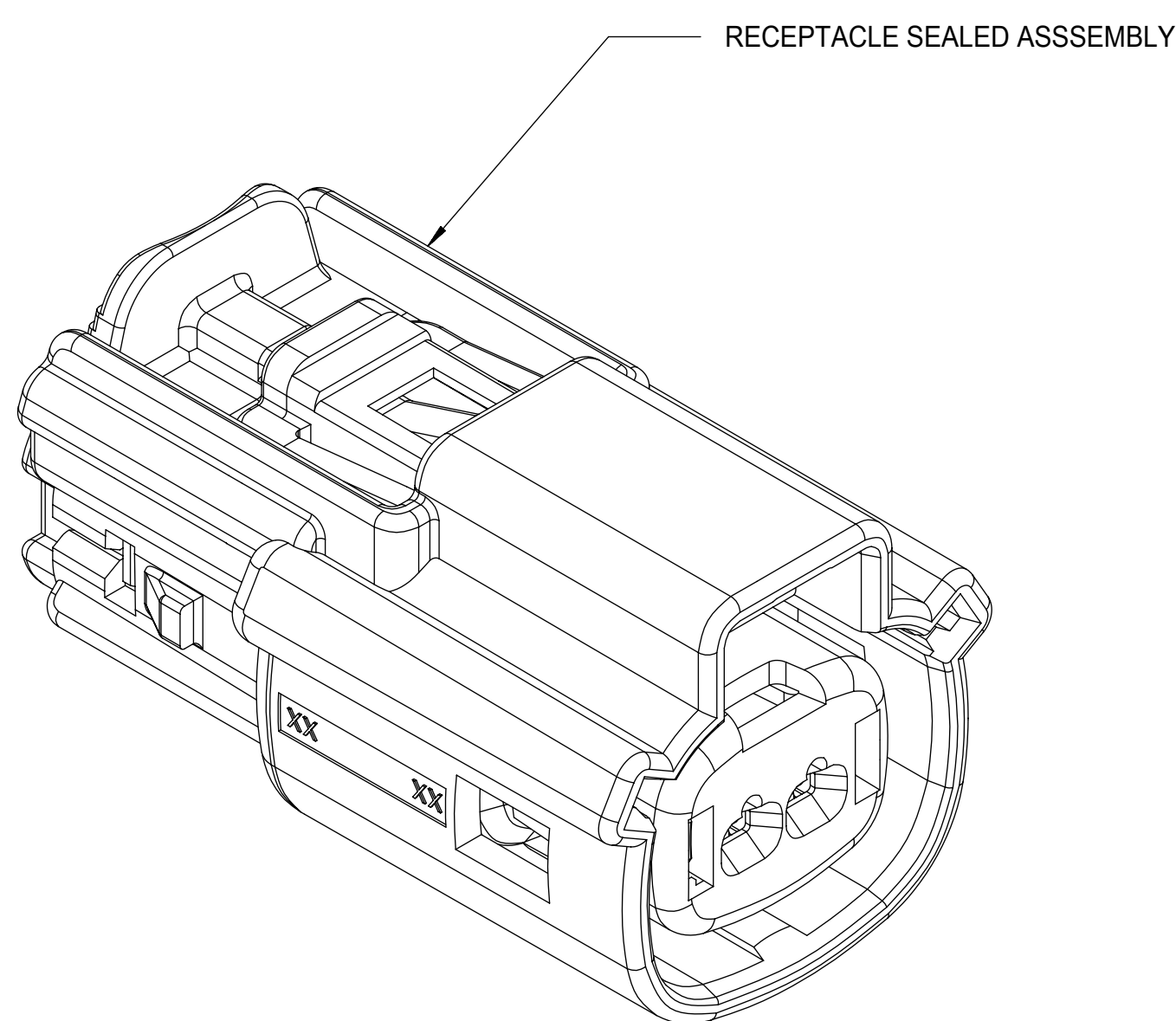
BACKSHELL NOTES VALID UNLESS OTHERWISE SPECIFIED

1.GENERAL:

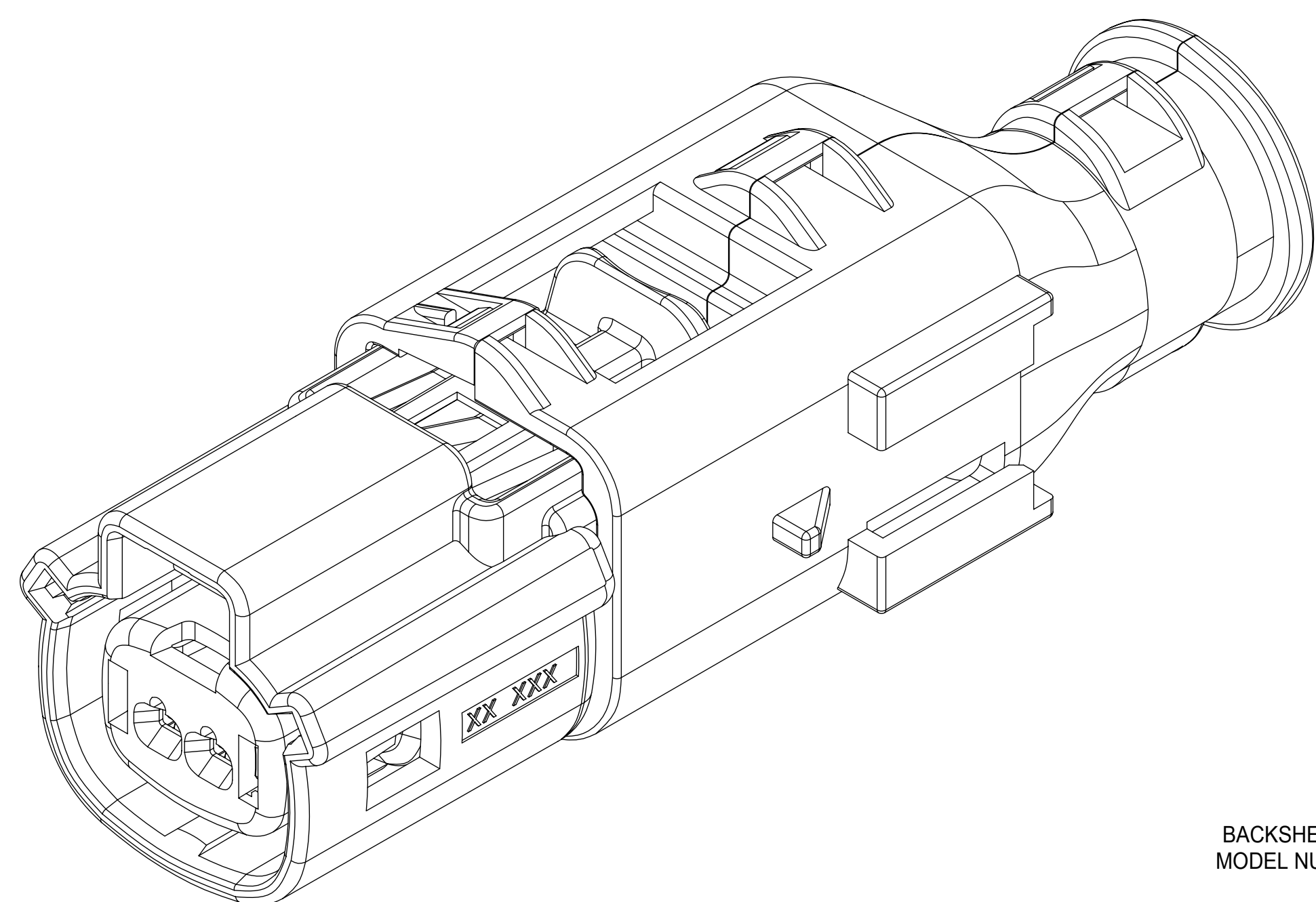
- a. APPLICATION SPECIFICATION SEE: AS-34951-001
 - DESIGNED TO MATE WITH RECEPTACLE SEALED ASSEMBLY SPECIFIED IN MOLEX DRAWING SD-33471-021.
 - SYSTEM TO BE USED WITH WIRE WITHIN DIAMETER RANGE OF 1.2mm TO 2.69mm.
 - COMPONENTS ARE OPTIONAL AND MUST BE PURCHASED SEPERATELY.
 - BACKSHELL DESIGN IS OWNED BY SChLEMMER.
 - FOR ADDITIONAL INFORMATION SEE THE BACKSHELL COMPONENT DRAWING SD-34949-0001.



BACKSHELL (BKS)



RECEPTACLE SEALED ASSEMBLY



BACKSHELL CUSTOMER MODEL NUMBER LEGEND

34949-XXXX

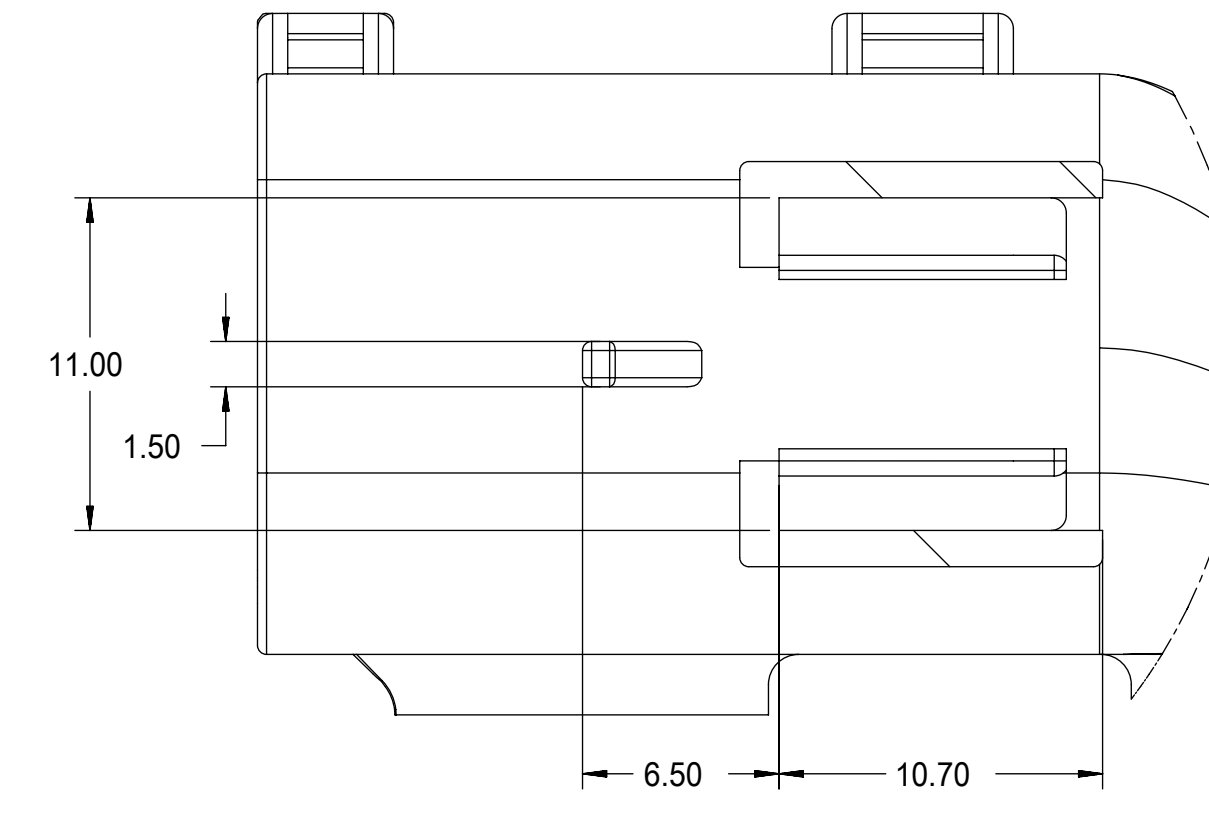
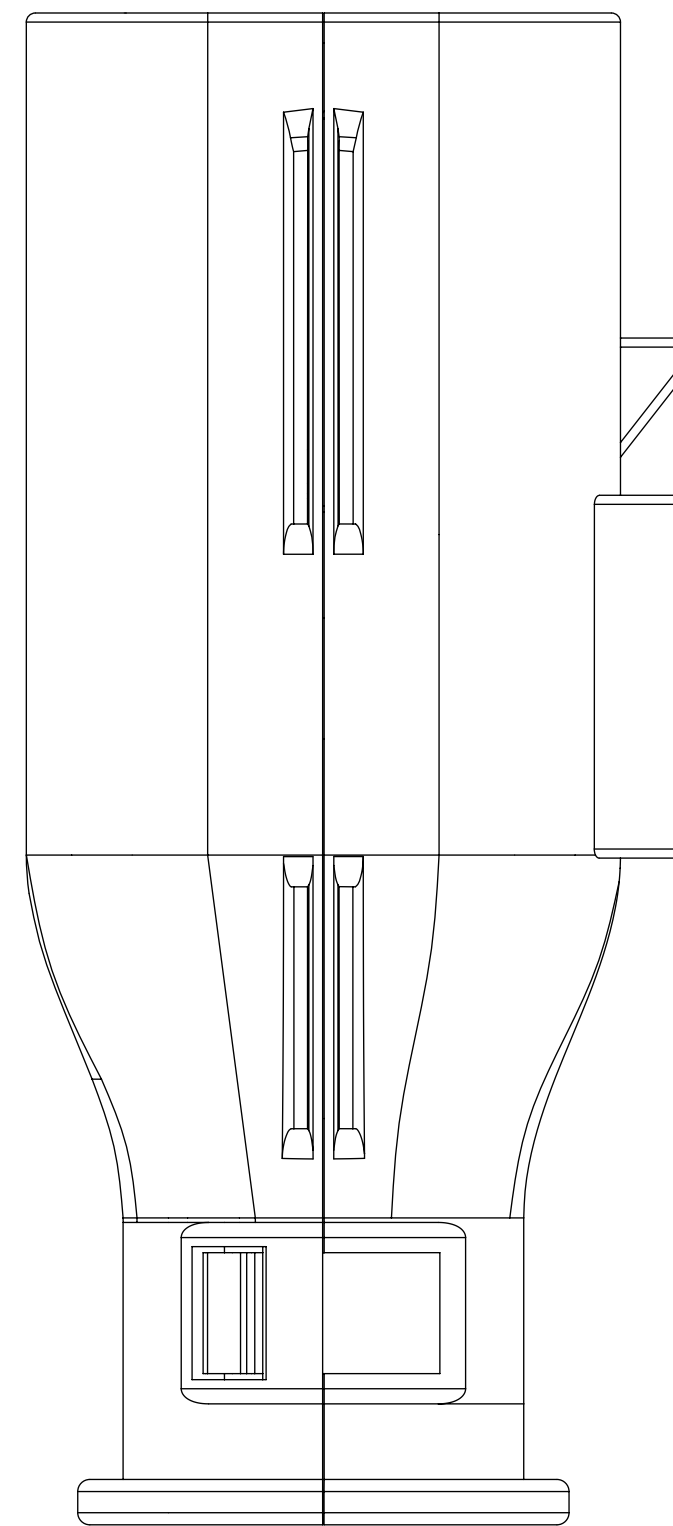
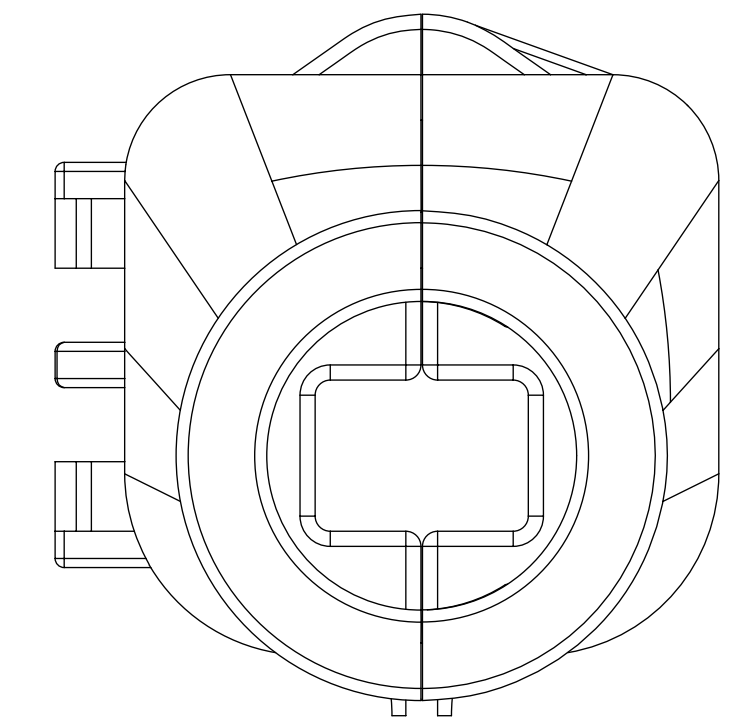
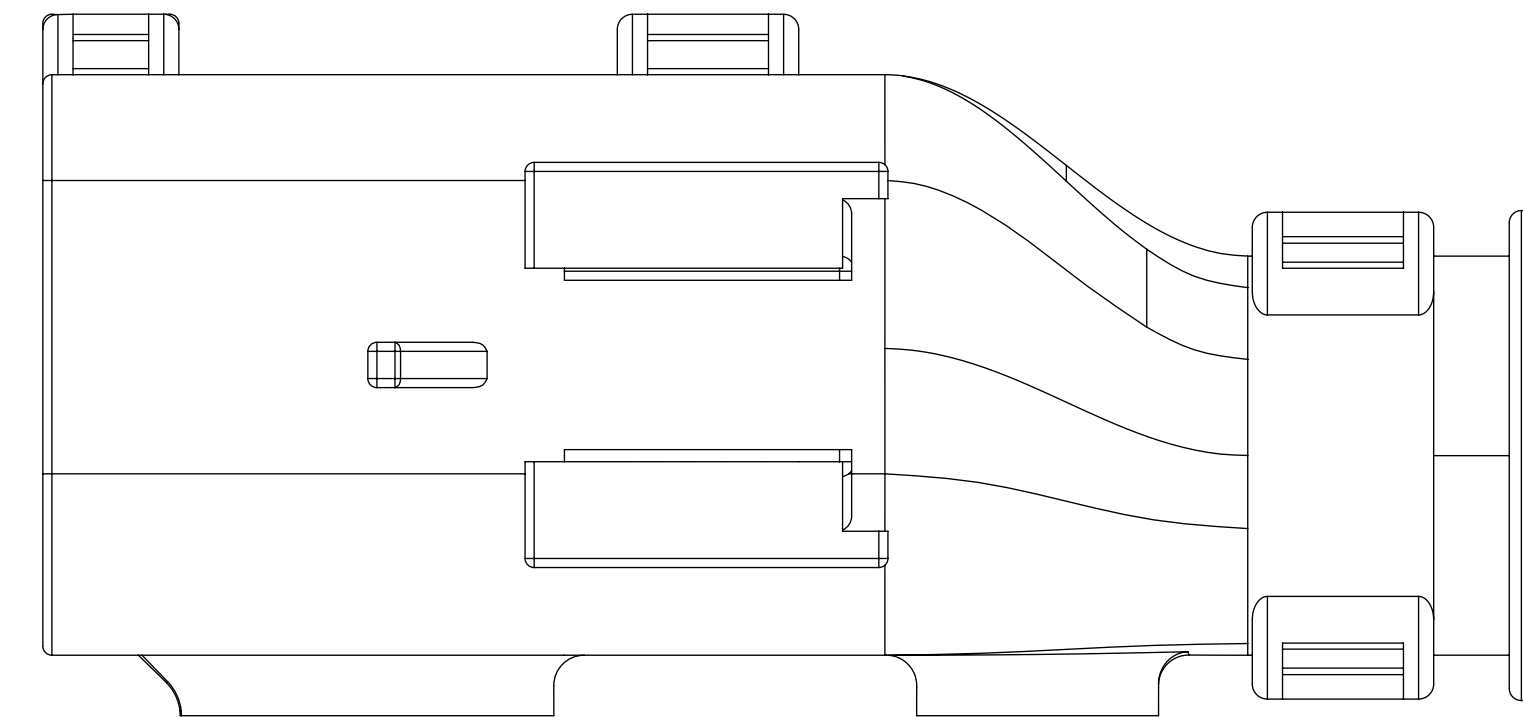
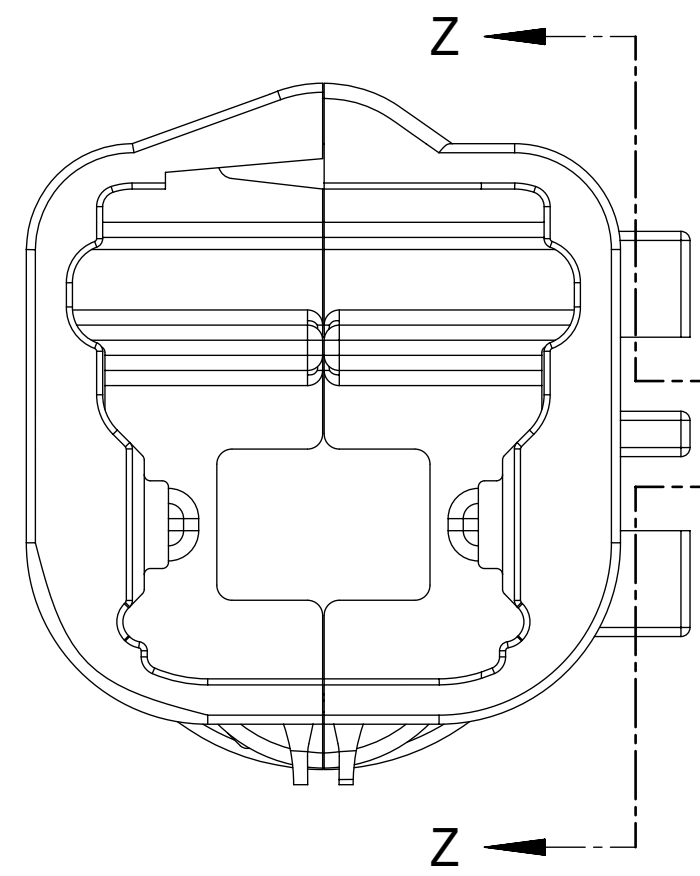
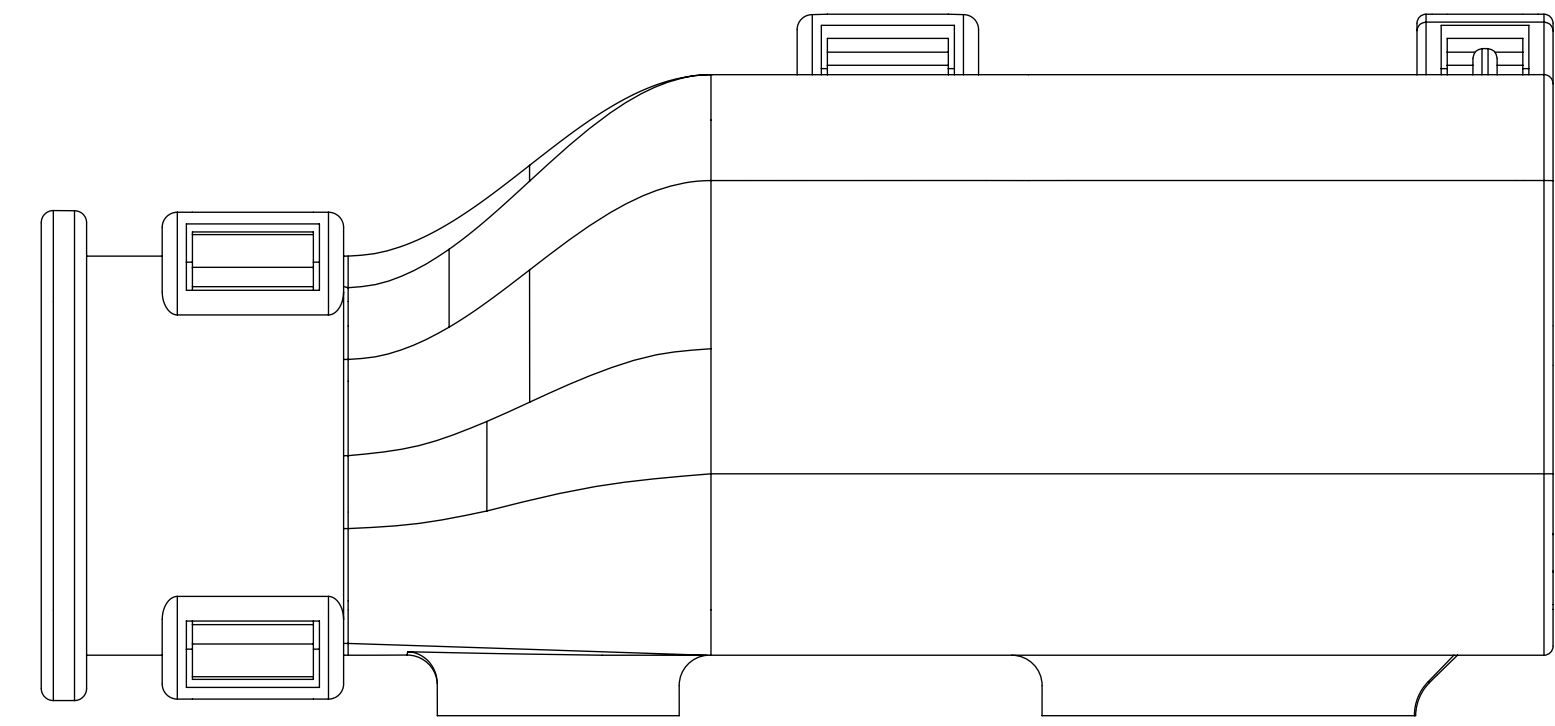
- CUSTOMER MODEL COMPONENTS
- 0 - BACKSHELL ONLY
 - 1 - BACKSHELL & MX150 HOUSING KEY A ASSEMBLY
 - 2 - BACKSHELL & MX150 HOUSING KEY B ASSEMBLY
 - 3 - BACKSHELL & MX150 HOUSING KEY C ASSEMBLY
 - 4 - BACKSHELL & MX150 HOUSING KEY D ASSEMBLY

- BACKSHELL FEATURES
- 1 - WITH RIBS
 - 2 - WITHOUT RIBS

MX150 CIRCUIT SIZE 02, 03, 04, 05, 06

FUNCTIONAL SYMBOLS $\nabla_A = 0$ $\nabla_C = 0$ $\nabla_D = 0$ DIVISIONAL SYMBOLS	THIS DRAWING CONTAINS INFORMATION THAT IS PROPRIETARY TO MOLEX ELECTRONIC TECHNOLOGIES, LLC AND SHOULD NOT BE USED WITHOUT WRITTEN PERMISSION		CURRENT REV DESC:		
	DIMENSION UNITS	SCALE	EC NO: 643941		
	mm	4:1	DRWN: XLDONG03 2020/08/21		
	GENERAL TOLERANCES (UNLESS SPECIFIED)		CHK'D: JDENG02 2020/08/26		
ANGULAR TOL $\pm 3.0^\circ$		APPR: JDENG02 2020/08/26		PRODUCT CUSTOMER DRAWING	
4 PLACES \pm		INITIAL REVISION:		DOCUMENT NUMBER	DOC TYPE
3 PLACES \pm		DRWN: SVERZYL 2008/06/17		SD-33471-021	PSD
2 PLACES ± 0.1		APPR: VKOSHY 2010/11/04		001	C12
1 PLACE ± 0.2		DRAFT WHERE APPLICABLE MUST REMAIN WITHIN DIMENSIONS		SEE BOM	GENERAL MARKET
0 PLACES \pm		THIRD ANGLE PROJECTION	DRAWING	SERIES	SHEET NUMBER
			D-SIZE	33471	4 OF 7

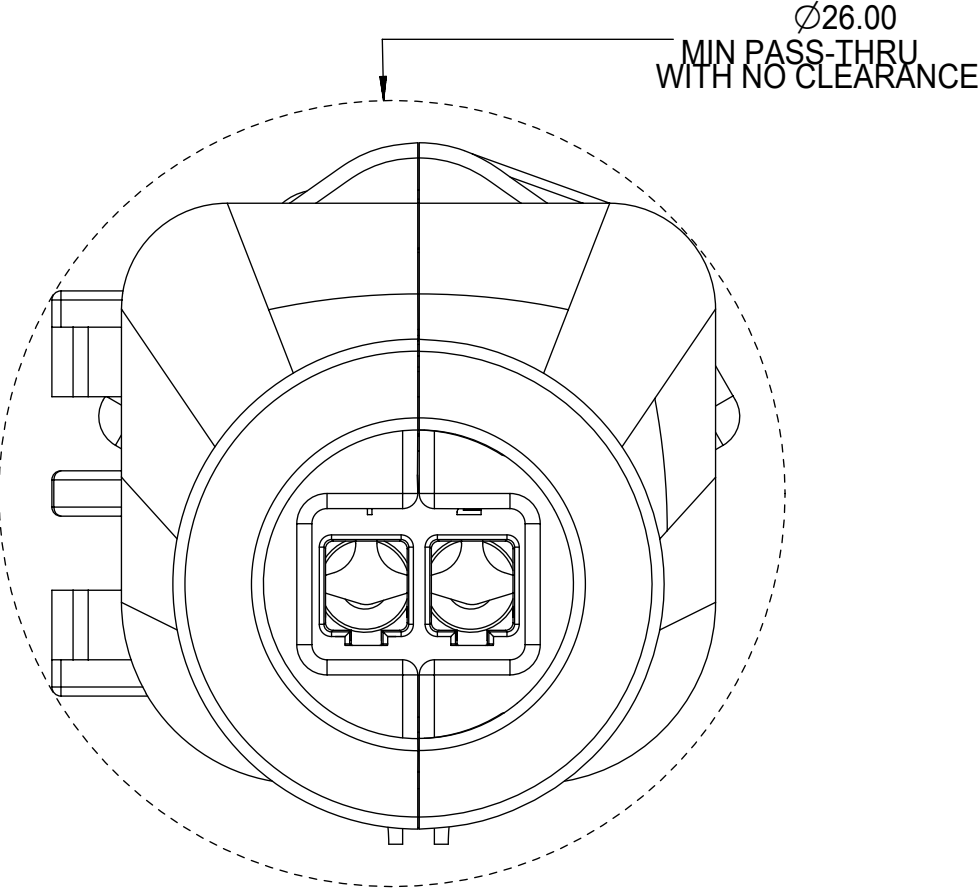
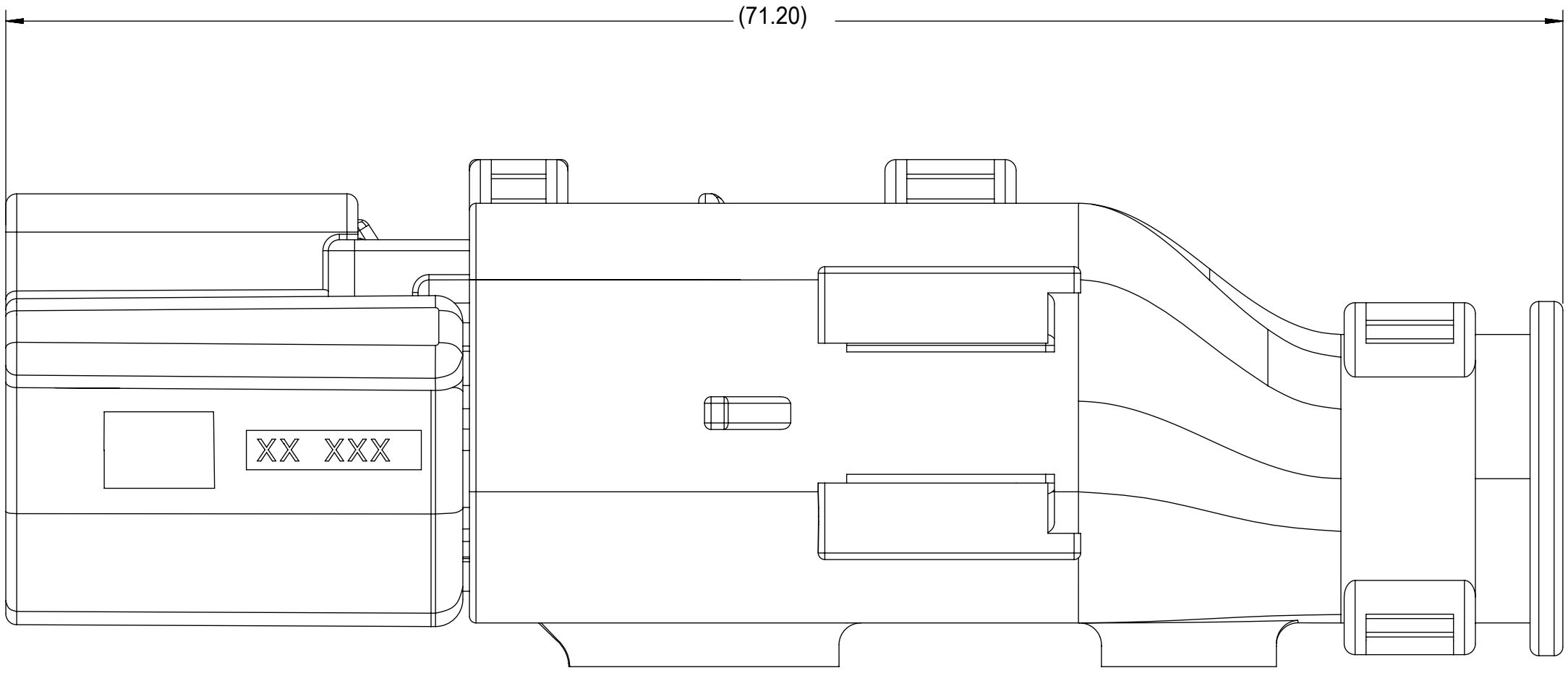
BACKSHELL
 THE VIEWS ON THIS SHEET ARE
 IN THE CLOSED UN-ASSEMBLED POSITION



Partial Z-Z
 SCALE 4:1

FUNCTIONAL SYMBOLS $F_A = 0$ $F_C = 0$ $F_D = 0$ DIVISIONAL SYMBOLS	THIS DRAWING CONTAINS INFORMATION THAT IS PROPRIETARY TO MOLEX ELECTRONIC TECHNOLOGIES, LLC AND SHOULD NOT BE USED WITHOUT WRITTEN PERMISSION		CURRENT REV DESC:			
	DIMENSION UNITS mm	SCALE 4:1	EC NO: 643941 DRWN: XLDONG03 2020/08/21 CHK'D: JDENG02 2020/08/26 APPR: JDENG02 2020/08/26			MX150 1X2 RECEPTACLE SEALED ASSEMBLY MAT SEAL
	GENERAL TOLERANCES (UNLESS SPECIFIED)		INITIAL REVISION: DRWN: SVERZYL 2008/06/17 APPR: VKOSHY 2010/11/04			PRODUCT CUSTOMER DRAWING
	ANGULAR TOL $\pm 3.0^\circ$		DRIFT WHERE APPLICABLE MUST REMAIN WITHIN DIMENSIONS			DOCUMENT NUMBER: SD-33471-021 DOC TYPE: PSD DOC PART: 001 REVISION: C12
	4 PLACES \pm 3 PLACES \pm 2 PLACES ± 0.1 1 PLACE ± 0.2 0 PLACES \pm		THIRD ANGLE PROJECTION 	DRAWING: D-SIZE SERIES: 33471		MATERIAL NUMBER: SEE BOM CUSTOMER: GENERAL MARKET SHEET NUMBER: 5 OF 7

BACKSHELL CONFIGURATIONS



RECEPTACLE SEALED ASSEMBLY WITH RECEPTACLE BACKSHELL

FUNCTIONAL SYMBOLS FA = 0 FC = 0 FD = 0 DIVISIONAL SYMBOLS	THIS DRAWING CONTAINS INFORMATION THAT IS PROPRIETARY TO MOLEX ELECTRONIC TECHNOLOGIES, LLC AND SHOULD NOT BE USED WITHOUT WRITTEN PERMISSION		DIMENSION UNITS: mm SCALE: 4:1		CURRENT REV DESC:						
	GENERAL TOLERANCES (UNLESS SPECIFIED) ANGULAR TOL ± 3.0°		EC NO: 643941 DRWN: XLDONG03 2020/08/21 CHK'D: JDENG02 2020/08/26 APPR: JDENG02 2020/08/26		INITIAL REVISION: DRWN: SVERZYL 2008/06/17 APPR: VKOSHY 2010/11/04						DOCUMENT NUMBER: SD-33471-021 DOC TYPE: PSD DOC PART: 001 REVISION: C12
DRAFT WHERE APPLICABLE MUST REMAIN WITHIN DIMENSIONS		THIRD ANGLE PROJECTION		DRAWING: D-SIZE		SERIES: 33471		MATERIAL NUMBER: SEE BOM CUSTOMER: GENERAL MARKET		SHEET NUMBER: 6 OF 7	

C11	KEY A W/CPA, BLACK	33471-0224	A					GCP	CPA		2	SALEABLE		34949-0210	34949-0220	
	KEY A W/CPA, YELLOW	33471-0223				A	GCO		CPA			SALEABLE		34949-0210	34949-0220	
	KEY A, BLACK	33471-0222	A					GCP			2	SALEABLE		34949-0210	34949-0220	
	KEY A, BLACK	33471-0221	A					GCP		1	2	SALEABLE		34949-0210	34949-0220	
	KEY D W/CPA, STONE GRAY	33471-0217				D		GCP	CPA	1		SALEABLE		34949-0210	34949-0220	
	KEY C W/CPA, DARK GRAY	33471-0216				C		GCP	CPA	1		SALEABLE		34949-0210	34949-0220	
	KEY B W/CPA, LIGHT GRAY	33471-0215				B		GCP	CPA	1		SALEABLE		34949-0210	34949-0220	
	KEY A W/CPA, BLACK	33471-0214	A					GCP	CPA	1		SALEABLE		34949-0210	34949-0220	
	KEY D, STONE GRAY	33471-0213				D		GCP		1		SALEABLE		34949-0210	34949-0220	
	KEY C, DARK GRAY	33471-0212				C		GCP		1		SALEABLE		34949-0210	34949-0220	
	KEY B, LIGHT GRAY	33471-0211				B		GCP		1		SALEABLE		34949-0210	34949-0220	
	KEY A, BLACK	33471-0210	A					GCP		1		SALEABLE		34949-0210	34949-0220	
	KEY D W/CPA, STONE GRAY	33471-0209				D	GCO		CPA			SALEABLE		34949-0210	34949-0220	
	KEY C W/CPA, DARK GRAY	33471-0208				C	GCO		CPA			SALEABLE		34949-0210	34949-0220	
	KEY B W/CPA, LIGHT GRAY	33471-0207				B	GCO		CPA			SALEABLE		34949-0210	34949-0220	
	KEY A W/CPA, BLACK	33471-0206	A				GCO		CPA			SALEABLE		34949-0210	34949-0220	
	KEY D, STONE GRAY	33471-0204				D	GCO					SALEABLE		34949-0210	34949-0220	
	KEY C, DARK GRAY	33471-0203				C	GCO					SALEABLE		34949-0210	34949-0220	
	KEY B, LIGHT GRAY	33471-0202				B	GCO					SALEABLE		34949-0210	34949-0220	
	KEY A, BLACK	33471-0201	A				GCO					SALEABLE		34949-0210	34949-0220	
	ASSEMBLY DESCRIPTION	ASSEMBLY PART NUMBER	A	B	C	D	A	GCO	GCP	CPA	1	2	STATUS	COMMENTS	BACKSHELL WITH RIBS	BACKSHELL WITHOUT RIBS

CAVITY WITH A NUMBER INDICATES BLOCKED TERMINAL POSITION
CAVITY WITHOUT A NUMBER INDICATES OPEN TERMINAL POSITION

OPTIONAL ATTATCHMENTS
SOLD SEPERATLEY

MAT SEAL	ROYAL BLUE	INHERENTLY LUBRICATED SILICONE
RING SEAL	LIGHT BLUE	INHERENTLY LUBRICATED SILICONE
PLR	NATURAL	SPS/NYLON GF20
CPA	RED	PBT GF20
GROMMET CAP (PLUGGED)	BLACK	SPS/NYLON GF20
GROMMET CAP (OPEN)	BLACK	SPS/NYLON GF20
HOUSING KEYING OPTION A	YELLOW	SPS/NYLON GF20
HOUSING KEYING OPTION D	STONE GRAY	SPS/NYLON GF20
HOUSING KEYING OPTION C	DARK GRAY	SPS/NYLON GF20
HOUSING KEYING OPTION B	LIGHT GRAY	SPS/NYLON GF20
HOUSING KEYING OPTION A	BLACK	SPS/NYLON GF20

DESCRIPTION	COLOR	MATERIAL
-------------	-------	----------

BOM/APPLICABLE COMPONENTS TABLE

ABREVIATION	COMPONENT
A	HOUSING KEY A
B	HOUSING KEY B
C	HOUSING KEY C
D	HOUSING KEY D
GCO	GROMMET CAP, OPEN
GCP	GROMMET CAP, CLOSED
M	MAT SEAL
R	RING SEAL
P	PLR, STANDARD
CPA	CPA
BKS	BACKSHELL

FUNCTIONAL SYMBOLS FA = 0 FC = 0 FP = 0 DIVISIONAL SYMBOLS	THIS DRAWING CONTAINS INFORMATION THAT IS PROPRIETARY TO MOLEX ELECTRONIC TECHNOLOGIES, LLC AND SHOULD NOT BE USED WITHOUT WRITTEN PERMISSION		CURRENT REV DESC:		 MX150 1X2 RECEPTACLE SEALED ASSEMBLY MAT SEAL PRODUCT CUSTOMER DRAWING
	DIMENSION UNITS: mm SCALE:	GENERAL TOLERANCES (UNLESS SPECIFIED) ANGULAR TOL ± 3.0°		EC NO: 643941 DRWN: XLDONG03 2020/08/21 CHK'D: JDENG02 2020/08/26 APPR: JDENG02 2020/08/26	
	4 PLACES ± 3 PLACES ± 2 PLACES ± 0.1 1 PLACE ± 0.2 0 PLACES ±	INITIAL REVISION: DRWN: SVERZYL 2008/06/17 APPR: VKOSHY 2010/11/04		DOCUMENT NUMBER: SD-33471-021 DOC TYPE: PSD DOC PART: 001 REVISION: C12	
	DRAFT WHERE APPLICABLE MUST REMAIN WITHIN DIMENSIONS	THIRD ANGLE PROJECTION 	DRAWING: D-SIZE SERIES: 33471	MATERIAL NUMBER: SEE BOM CUSTOMER: GENERAL MARKET SHEET NUMBER: 7 OF 7	

TABLE OF CONTENTS	
SHEET NO.	SHEET DESCRIPTION
1	NOTES AND BOM
2	CONFIGURATIONS
3-4	KEY CONFIGURATIONS
5	BLADE SEALED ASSEMBLY
6	SYSTEM PACKAGING
7	BACKSHELL NOTES
8	BACKSHELL
9	BACKSHELL CONFIGURATIONS

MATING CONNECTOR DRAWINGS	
DESCRIPTION	MOLEX INLINE
1X2	SD-33471-0001
1X6	SD-33471-0001

NOTES: VALID UNLESS OTHERWISE SPECIFIED

1. GENERAL:

a. APPLICATION SPECIFICATION SEE: AS-33472-100

- CONTAINS: PRODUCT INTRODUCTION, PRODUCT SUMMARY, CONNECTOR ASSEMBLY, PACKAGING INFORMATION, CONNECTOR MATING, SERVICE INSTRUCTIONS, ELECTRICAL CONTINUITY CHECKING, CRIMPING, AND TROUBLESHOOTING.
- DESIGNED TO MATE WITH RECEPTACLE SEALED ASSEMBLY AS SPECIFIED IN THE MATING CONNECTOR DRAWINGS CHART.
- *DENOTES DRAWINGS THAT CAN BE ACCESSED AT <http://ewcap.uscarteams.org/>
- ASSEMBLY SHIPPED WITH PLR IN PRE-LOCK POSITION (SEE PLR PRE-LOCK VIEW SHEET 5).

b. PRODUCT SPECIFICATION SEE:

- STANDARD CONFIGURATION: PS-33471-000
- UL V0 CONFIGURATION: PS-160105-0001
- CONTAINS: PRODUCT INTRODUCTION, PRODUCT SUMMARY, RATINGS (CURRENT, TEMPERATURE, SEALING, AND FLAMMABILITY), TERMINALS, WIRE DIAMETER RANGE, PRODUCT VALIDATION, AND PRODUCT DEVIATIONS.

c. PACKAGING SPECIFICATION PER MOLEX DRAWING: PK-31300-635 (PK-33471-000 FOR 1X5)

d. PARTS MUST BE IN COMPLIANCE TO MOLEX CHEMICAL SUBSTANCES FOR PRODUCTS AND PACKAGING SPECIFICATION: QEHS-699000-300

e. DATA MUST BE SUBMITTED UNDER THE MOLEX PART NUMBER TO IMDS (COMPANY ID#13255)

2. DESIGN - MATERIALS:

a. FOR BILL OF MATERIALS SEE:

- STANDARD CONFIGURATION: SD-33481-0002
- UL V0 CONFIGURATION: SD-160106-0002

3. DESIGN - GEOMETRY:

a. THE 3-D CAD DATA IS BASIC (WITHOUT TOLERANCE) AND MASTER FOR THIS PART WITH THE EXCEPTION OF UNDERLINED DIMENSIONS. DIMENSIONAL INFORMATION NOT SHOWN ON THIS DRAWING IS DEFINED BY THE DATA FILE AT ITS LATEST REVISION.

b. GEOMETRIC DIMENSIONS AND TOLERANCES PER ASME Y14.5M-2009

c. EDGES AND UNDIMENSIONED DETAILS PER ISO13715

d. CORNERS SHOWN AS SHARP TO BE R 0.2 MAX.

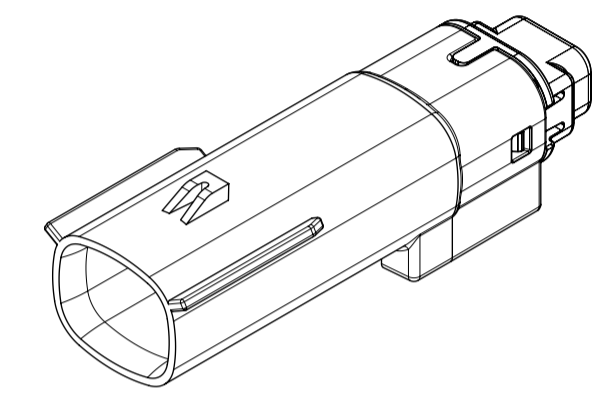
e. LETTERING SHALL BE 0.15 MAX RAISED IN 0.25 MAX RECESS PAD. THIS INCLUDES RECYCLING CODE, CAVITY ID, VENDOR IDENTIFICATION, AND CUSTOMER MATERIAL NUMBER.

f. VISUAL DEFECTS SHALL MEET COSMETIC STANDARD PS-45499-002 (Class B).

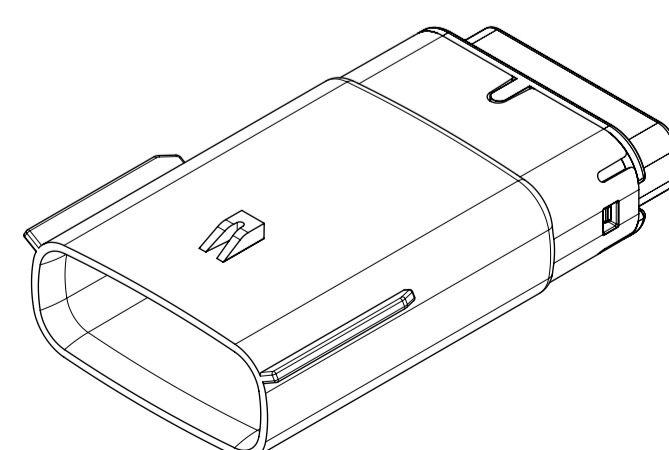
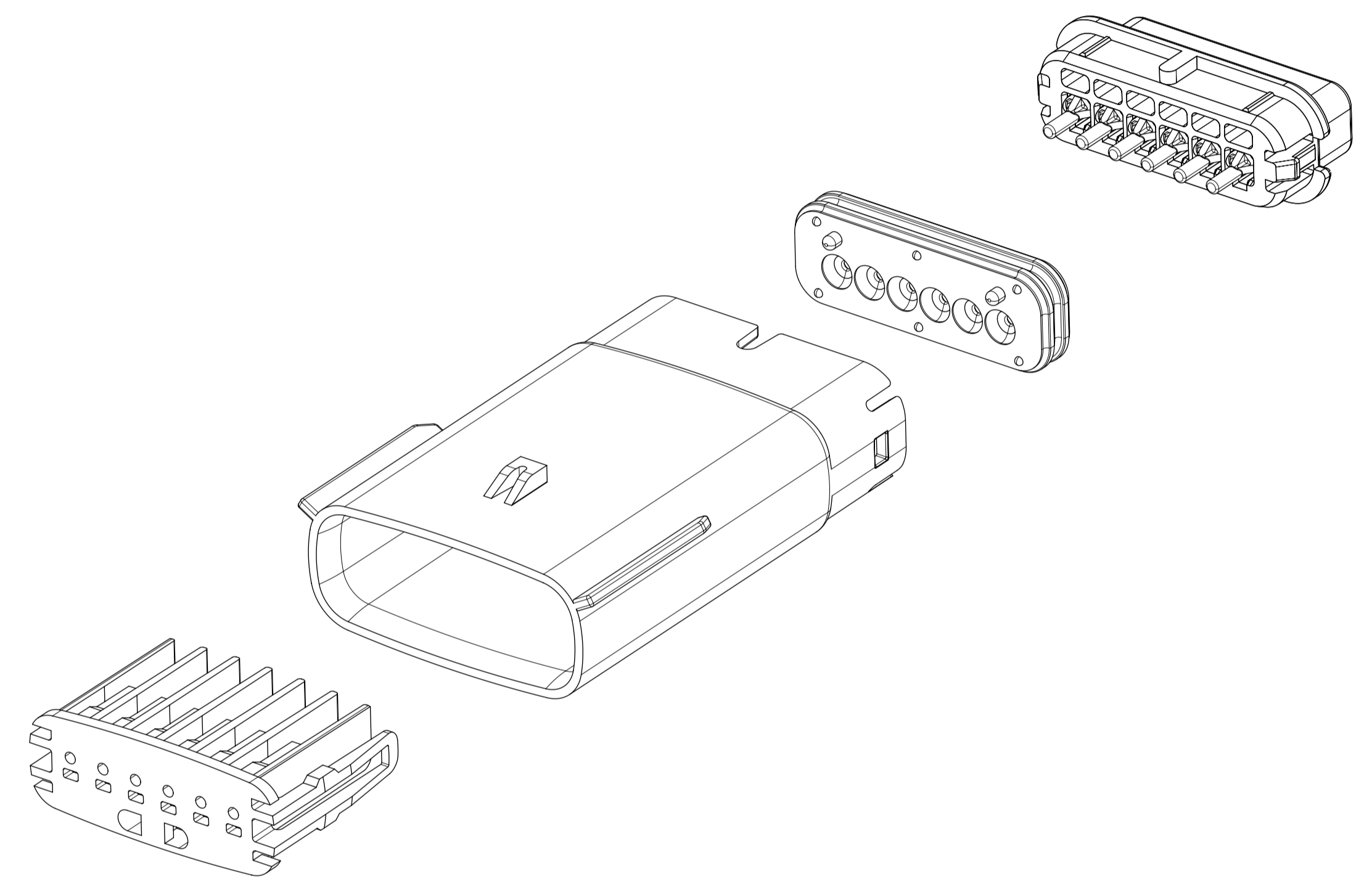
g. LASER MARKING:

1. PART NUMBER
2. DAY OF THE YEAR
3. SHIFT
4. YEAR

FOR ADDITIONAL INFORMATION SEE SECTION 5 UNDER PROCEDURES IN ES-34735-008.



1X2



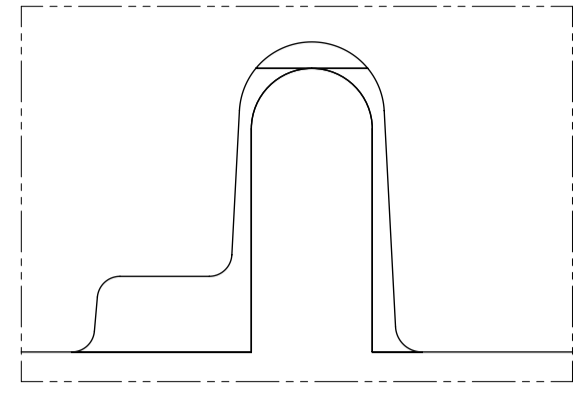
1X6

INSPECTION NUMBER LOG	
LAST NUMBER:	ADDED:
9	1
REMOVED:	REV
	REV DESCRIPTION

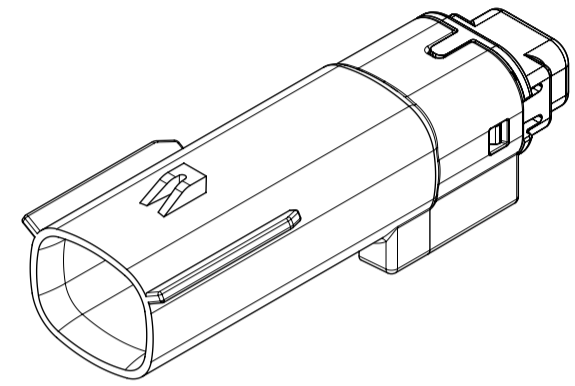
A1	NX REMASTERING , CHANGE PS DRAWING NUMBER FROM PS-160105-0001 TO PS-160074-0001 IN NOTES 1.b
A	MINOR GEOMETRY CHANGE FOR UL V0
2	UPDATED VIEWSETS
1	INITIAL RELEASE
REV	REV DESCRIPTION

SYMBOLS = 0 = 0 = 0 = 0 = 0 = 0 = 0 = 0 = 0	THIS DRAWING CONTAINS INFORMATION THAT IS PROPRIETARY TO MOLEX ELECTRONIC TECHNOLOGIES, LLC AND SHOULD NOT BE USED WITHOUT WRITTEN PERMISSION DIMENSION UNITS: MM ONLY SCALE: 1.5:1	CURRENT REV DESC: EC NO: 602373 DRWN: DSHETTY01 2018/05/25 CHK'D: MVANSLAMBROU 2018/10/04 APPR: MVANSLAMBROU 2018/10/04 INITIAL REVISION: DRWN: APROFFITT 2015/07/21 APPR: KDEKOSKI 2016/06/14	 MX150 BLADE SINGLE ROW SEALED ASSY MAT SEAL		
	GENERAL TOLERANCES (UNLESS SPECIFIED) ANGULAR TOL ± 1.0° 4 PLACES ± 3 PLACES ± 2 PLACES ± 0.1 1 PLACE ± 0.2 0 PLACES ±	PRODUCT CUSTOMER DRAWING			
	DRAFT WHERE APPLICABLE MUST REMAIN WITHIN DIMENSIONS	THIRD ANGLE PROJECTION	DRAWING: A1-SIZE SERIES: 33481	MATERIAL NUMBER: SEE NOTE 2a. CUSTOMER: GENERAL MARKET	SHEET NUMBER: 1 OF 9
	DOCUMENT STATUS: P1 RELEASE DATE: 2018/10/04 15:02:02		DOCUMENT NUMBER: SD-33481-0001 DOC TYPE: PSD DOC PART: 001 REVISION: A1		

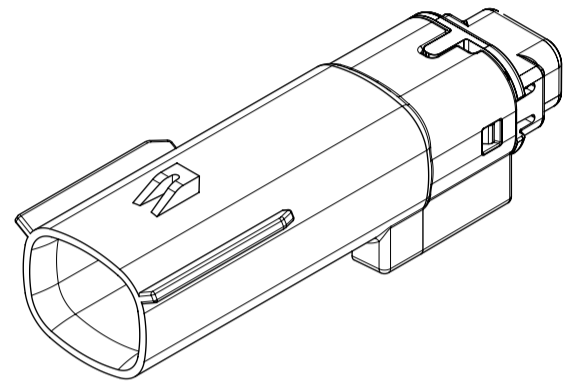
SHEET DESCRIPTION
CONFIGURATIONS



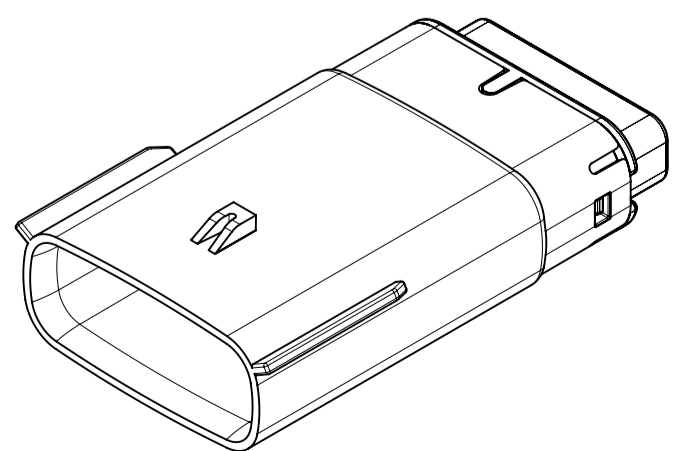
UL V0 UNIQUE FEATURE
Partial1
SCALE 10:1



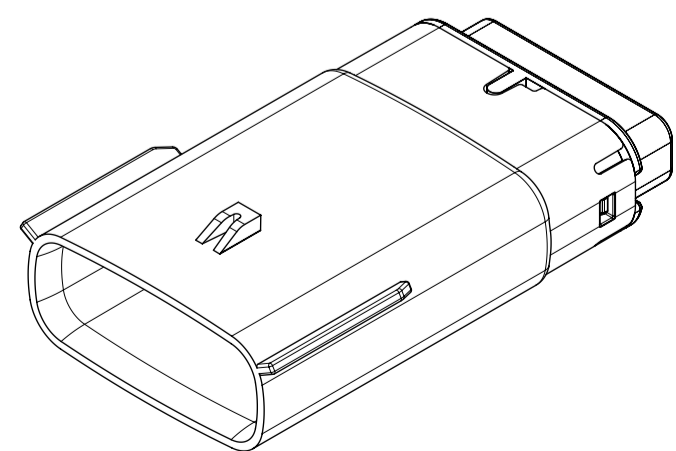
1x2 - STD



1X2 - UL V0*



1x6 - STD

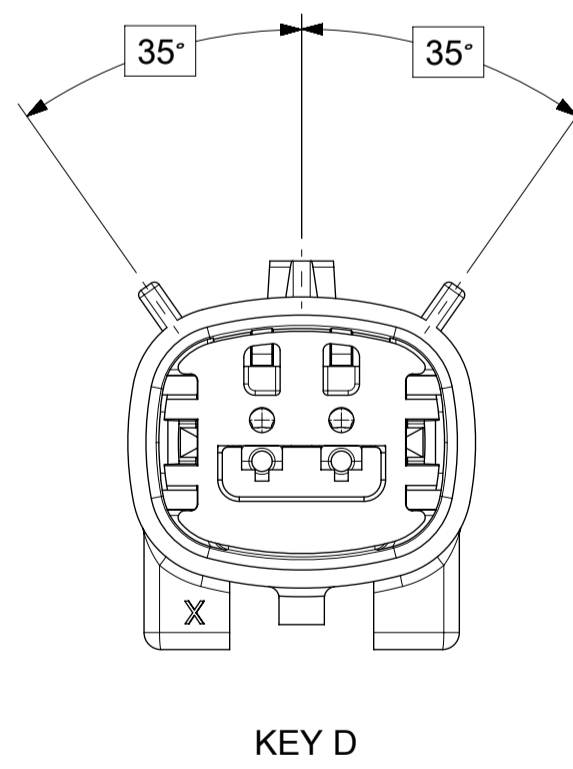
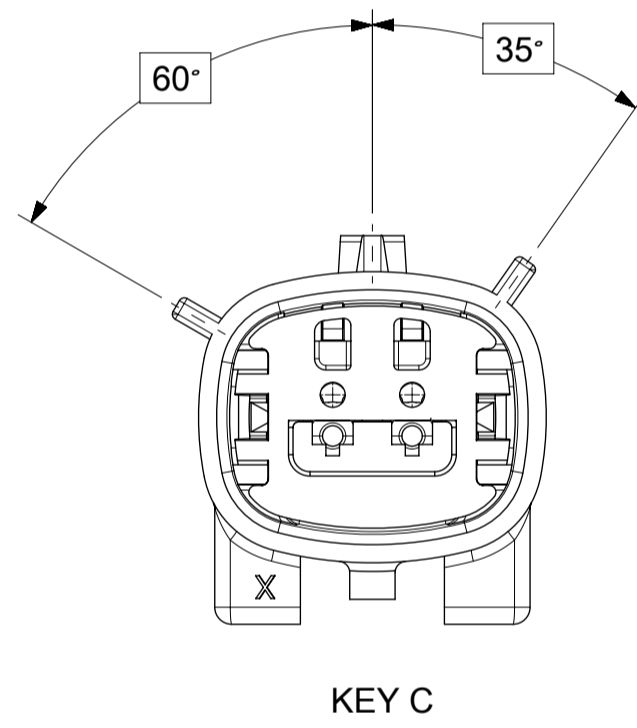
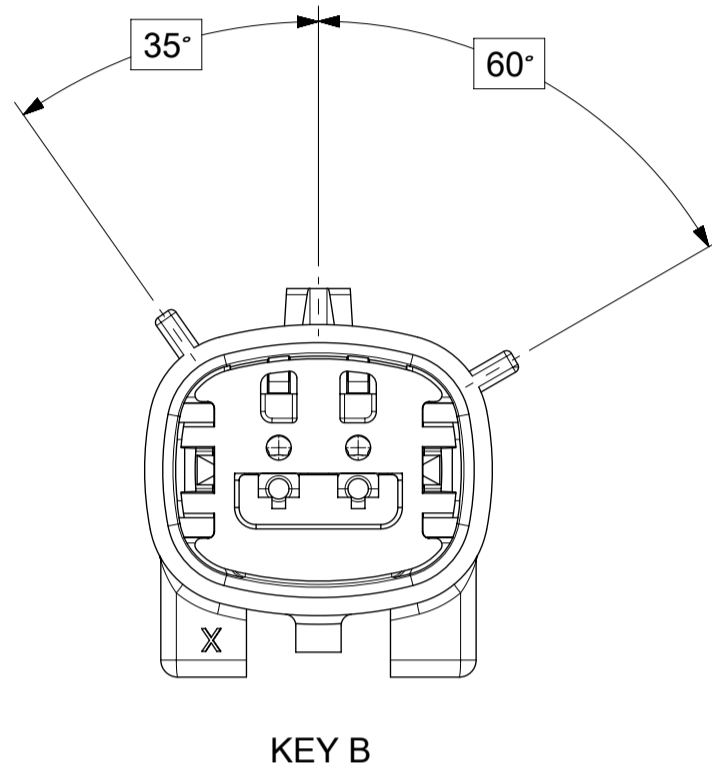
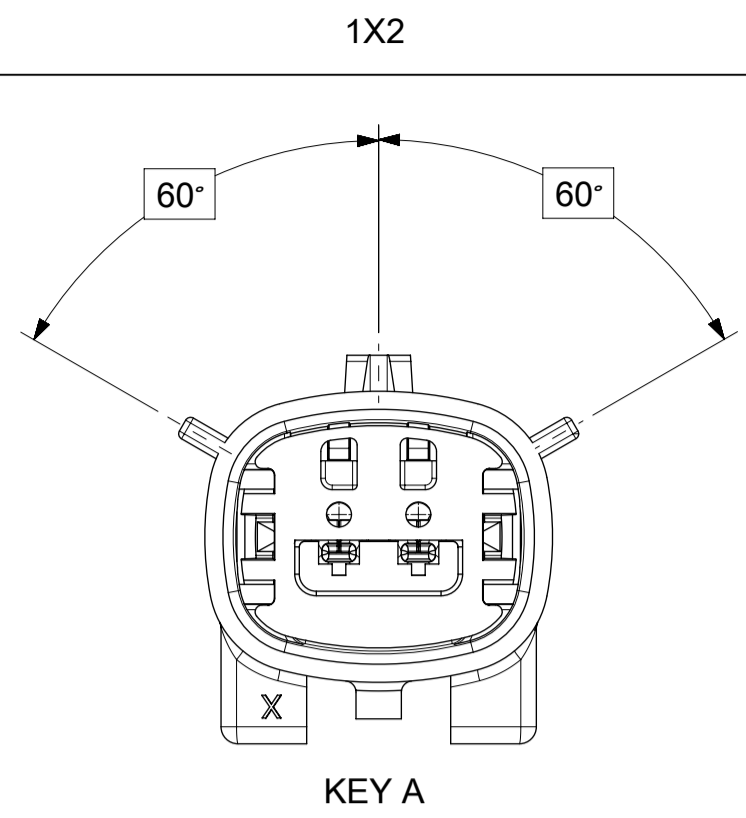


1x6 - UL V0*

* MINOR GEOMETRY DIFFERENCE THAN STANDARD CONFIGURATION.
SEE NOTES 1 & 2 FOR MORE INFORMATION

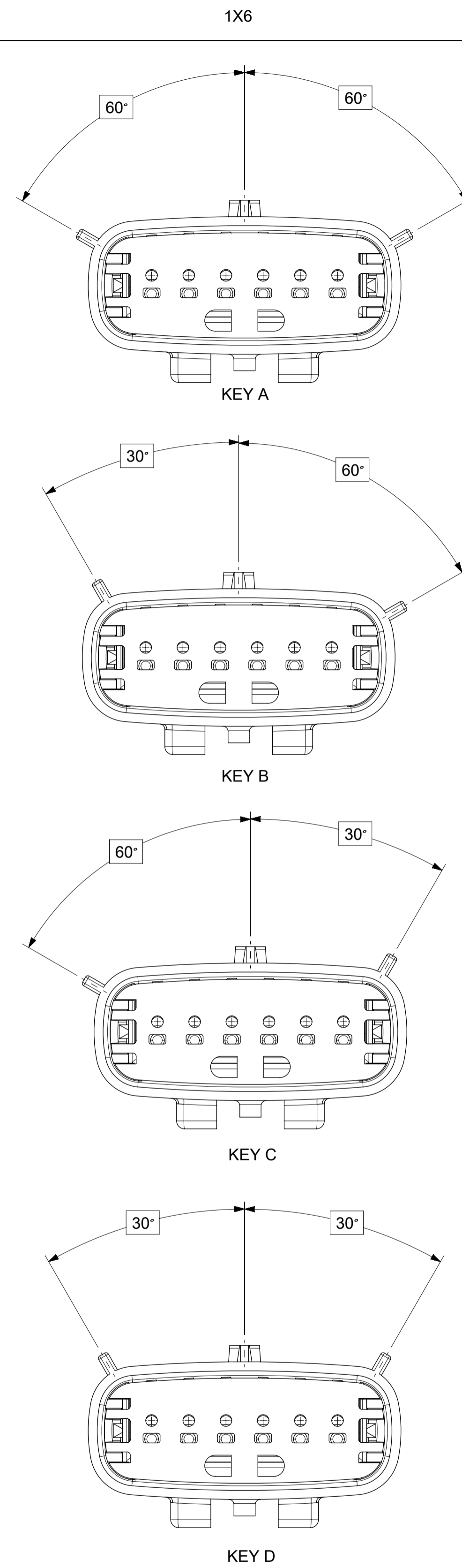
SYMBOLS	THIS DRAWING CONTAINS INFORMATION THAT IS PROPRIETARY TO MOLEX ELECTRONIC TECHNOLOGIES, LLC AND SHOULD NOT BE USED WITHOUT WRITTEN PERMISSION		CURRENT REV DESC:									
	DIMENSION UNITS	SCALE						EC NO: 602373	DRWN: DSHETTY01	2018/05/25	DOCUMENT NUMBER	DOC TYPE
▽ = 0	MM ONLY	1.5:1	GENERAL TOLERANCES (UNLESS SPECIFIED)		DRWN: MVANSLAMBROU	2018/10/04	SD-33481-0001			PSD	001	A1
▽ = 0	ANGULAR TOL ± 1.0°		4 PLACES ±		CHK'D: MVANSLAMBROU	2018/10/04	PRODUCT CUSTOMER DRAWING			MATERIAL NUMBER		
▽ = 0	3 PLACES ±		2 PLACES ± 0.1		APPR: MVANSLAMBROU	2018/10/04	INITIAL REVISION:			CUSTOMER		
▽ = 0	1 PLACE ± 0.2		0 PLACES ±		DRWN: APROFFITT	2015/07/21	DRWN: APROFFITT			SHEET NUMBER		
▽ = 0	DRAFT WHERE APPLICABLE MUST REMAIN WITHIN DIMENSIONS		THIRD ANGLE PROJECTION		APPR: KDEKOSKI	2016/06/14	DRAWING			SHEET NUMBER		
▽ = 0			DRAWING		SERIES		A1-SIZE			33481		
			SEE NOTE 2a.			GENERAL MARKET			2 OF 9			

SHEET DESCRIPTION
KEY CONFIGURATIONS



SYMBOLS		THIS DRAWING CONTAINS INFORMATION THAT IS PROPRIETARY TO MOLEX ELECTRONIC TECHNOLOGIES, LLC AND SHOULD NOT BE USED WITHOUT WRITTEN PERMISSION		CURRENT REV DESC:		molex					
	= 0	DIMENSION UNITS	SCALE			MX150 BLADE SINGLE ROW SEALED ASSY MAT SEAL PRODUCT CUSTOMER DRAWING					
	= 0	MM ONLY	3:1	EC NO: 602373					DOCUMENT NUMBER	DOC TYPE	REVISION
	= 0	GENERAL TOLERANCES (UNLESS SPECIFIED)		DRWN: DSHETTY01 2018/05/25					SD-33481-0001	PSD	001
	= 0	ANGULAR TOL ± 1.0°		CHK'D: MVANSLAMBROU 2018/10/04							
	= 0	4 PLACES ±		APPR: MVANSLAMBROU 2018/10/04							
	= 0	3 PLACES ±		INITIAL REVISION:							
	= 0	2 PLACES ± 0.1		DRWN: APROFFITT 2015/07/21		MATERIAL NUMBER	CUSTOMER		SHEET NUMBER		
	= 0	1 PLACE ± 0.2		APPR: KDEKOSKI 2016/06/14		SEE NOTE 2a.	GENERAL MARKET	3 OF 9			
	= 0	0 PLACES ±		THIRD ANGLE PROJECTION					DRAWING	SERIES	
	= 0	DRAFT WHERE APPLICABLE MUST REMAIN WITHIN DIMENSIONS				A1-SIZE	33481				
	= 0										

SHEET DESCRIPTION
KEY CONFIGURATIONS CONT.

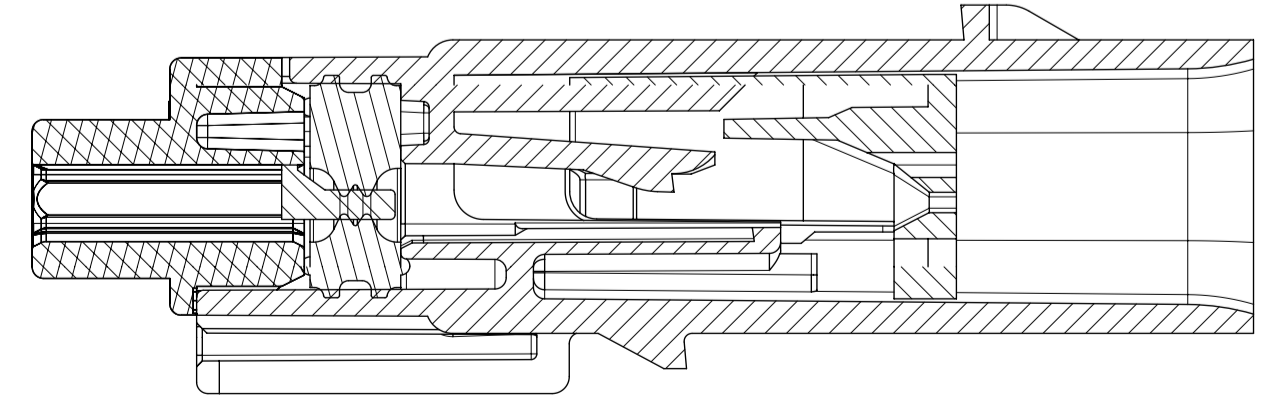
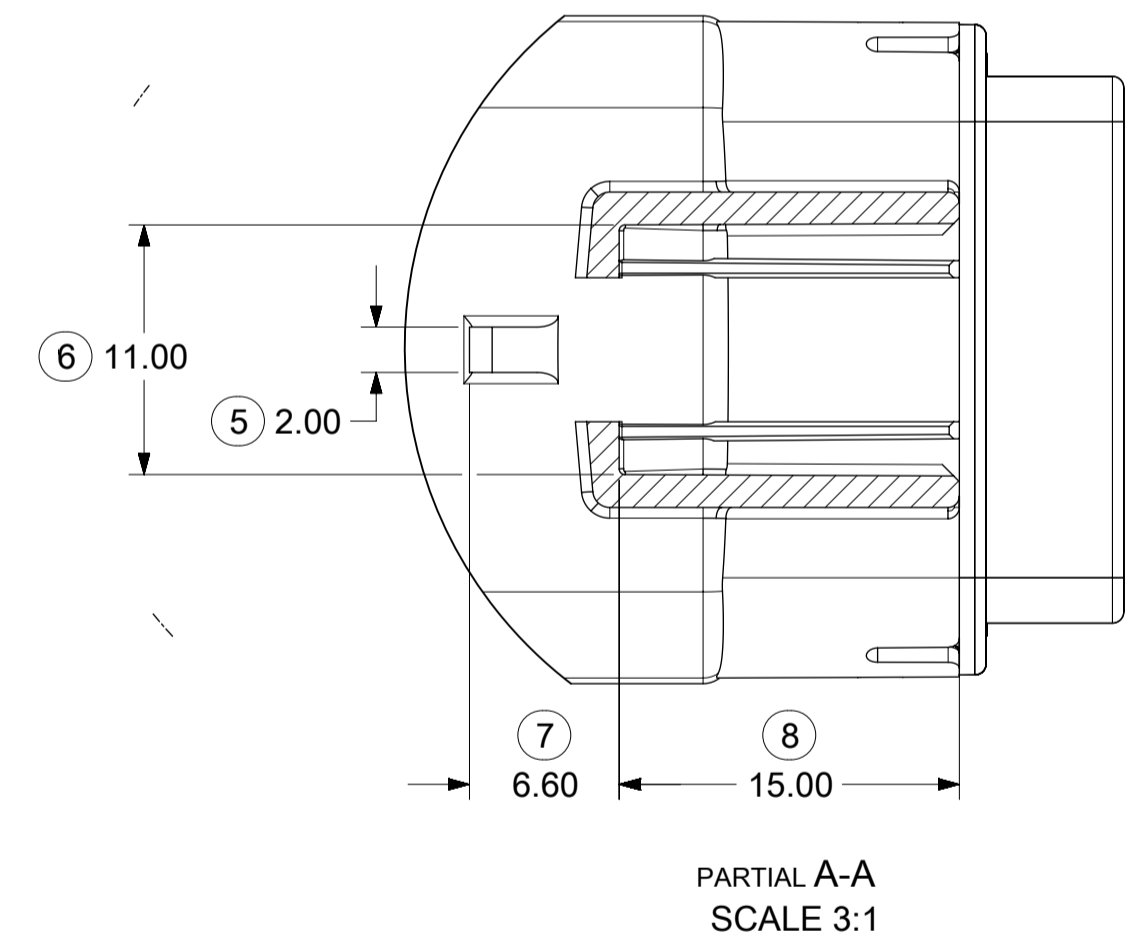
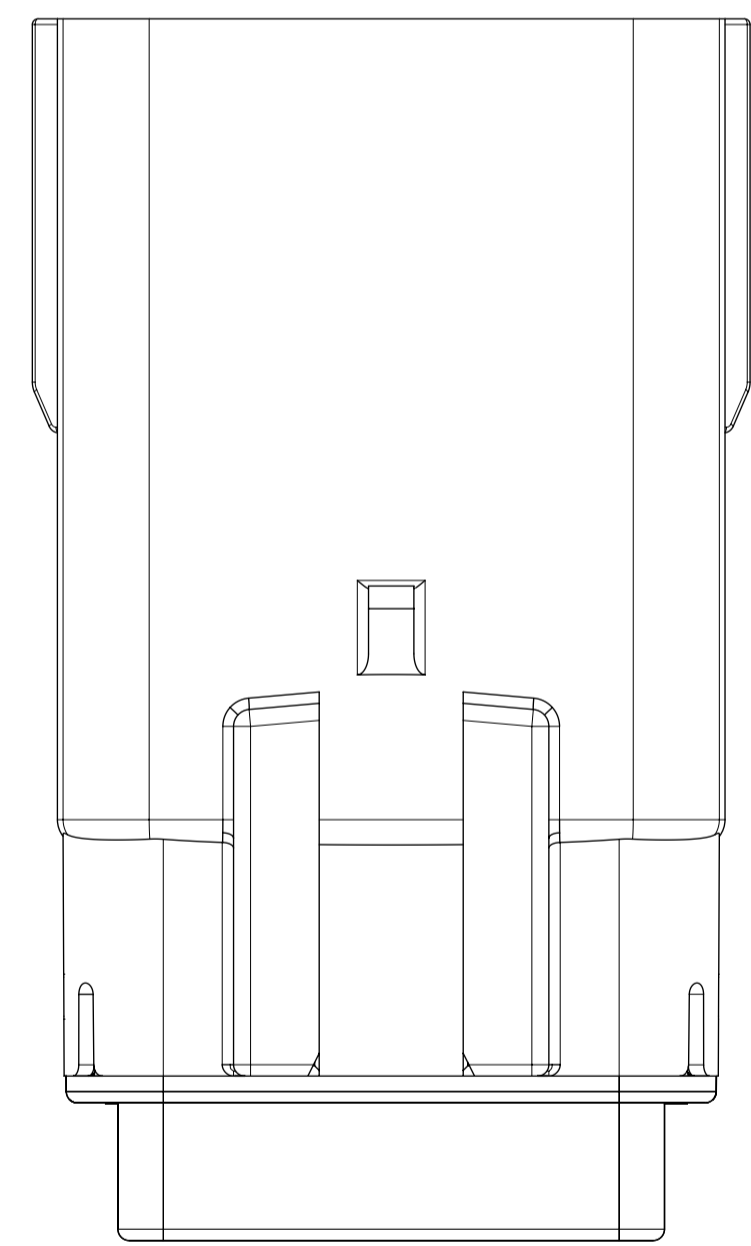
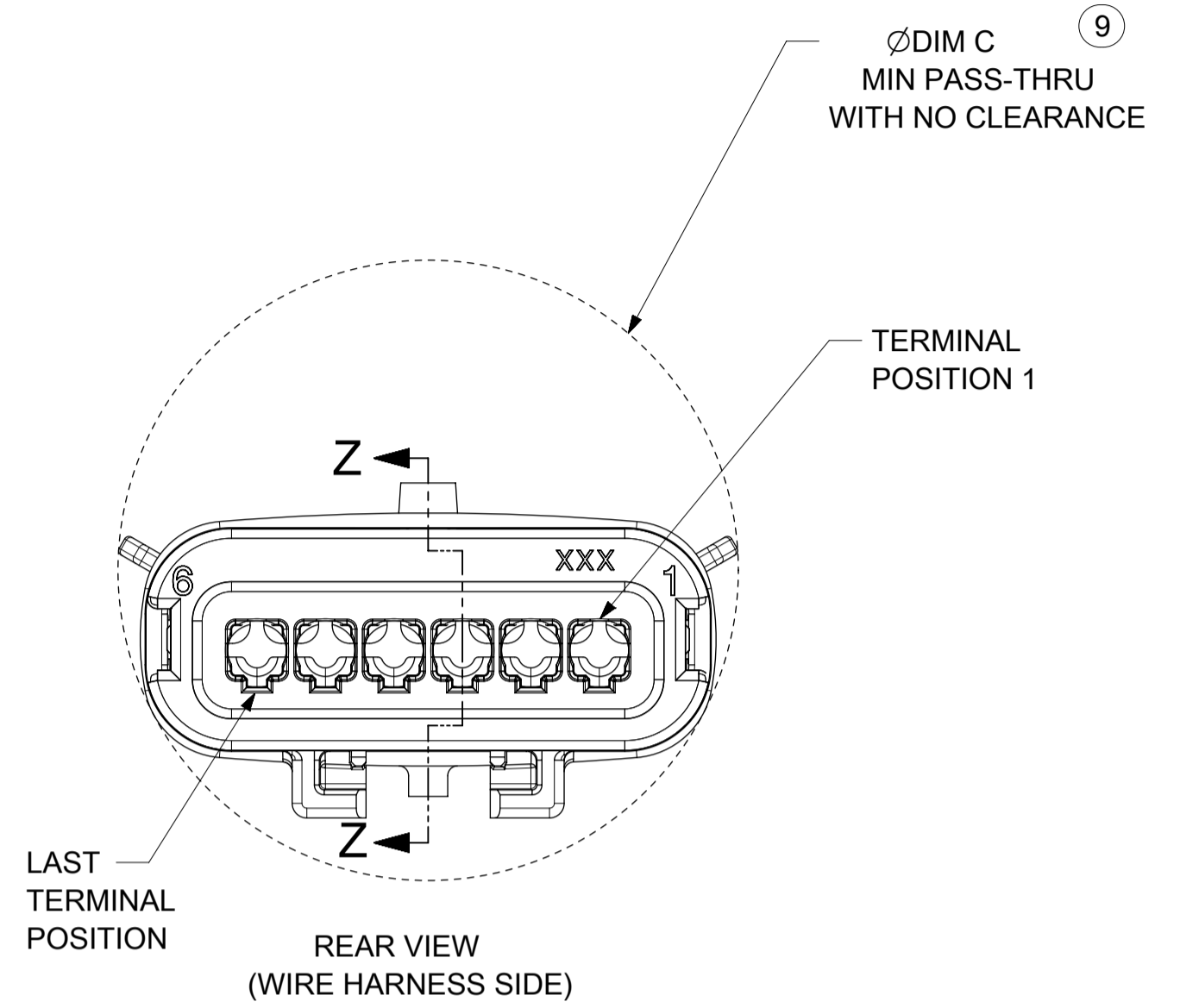
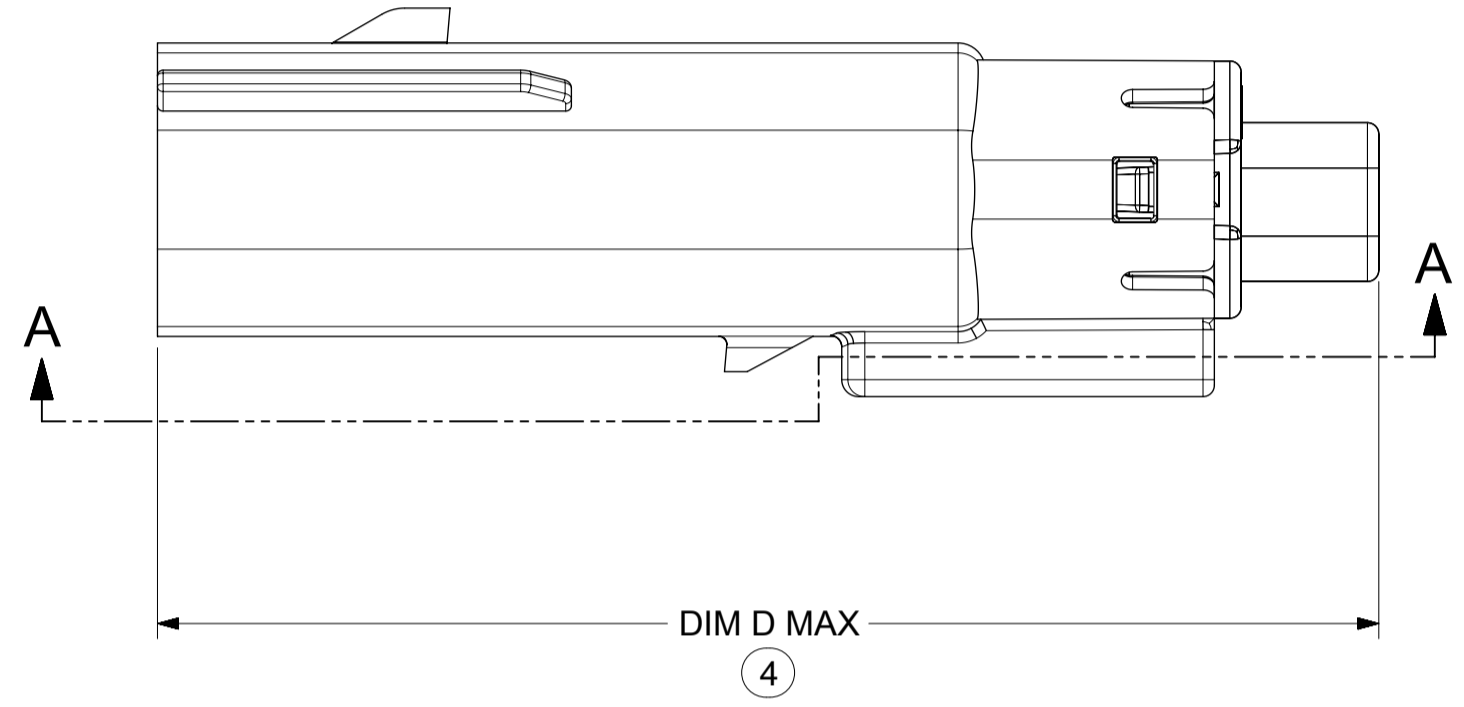
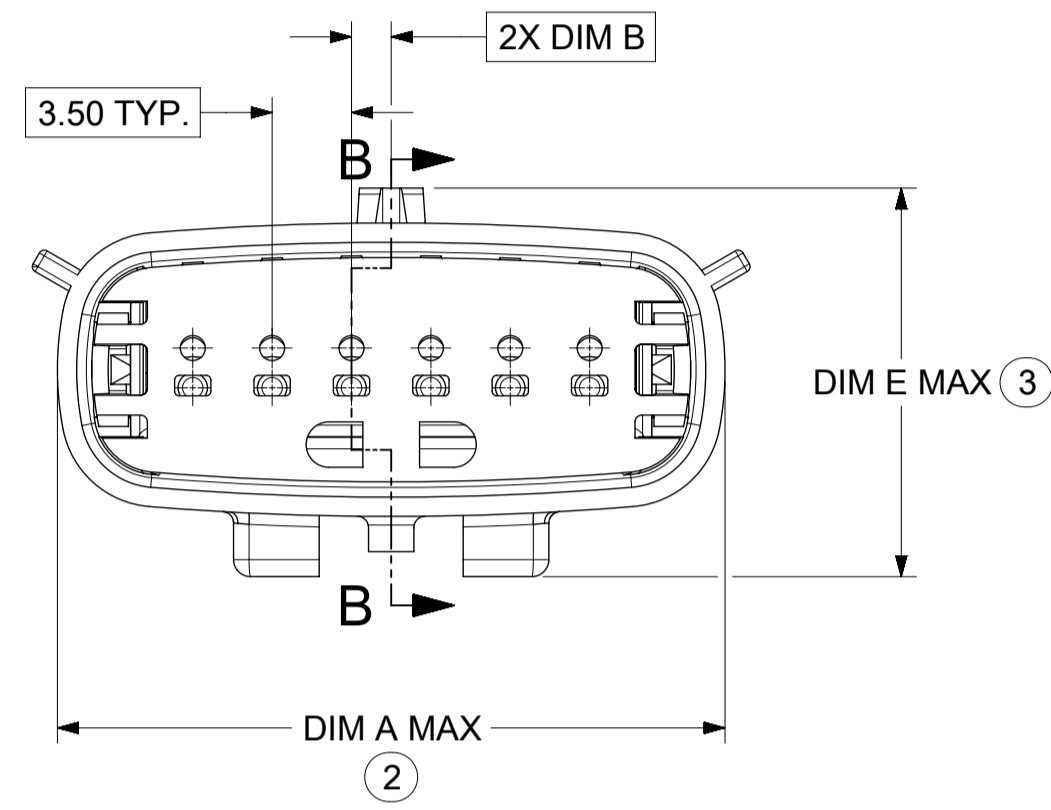
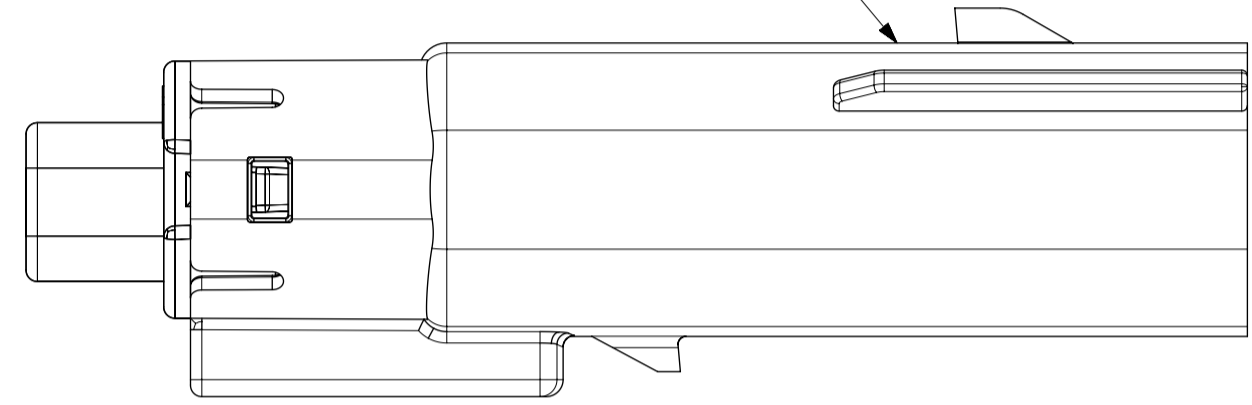


SYMBOLS = 0 = 0 = 0 = 0 = 0 = 0 = 0 = 0 = 0	THIS DRAWING CONTAINS INFORMATION THAT IS PROPRIETARY TO MOLEX ELECTRONIC TECHNOLOGIES, LLC AND SHOULD NOT BE USED WITHOUT WRITTEN PERMISSION DIMENSION UNITS: MM ONLY SCALE: 3:1	CURRENT REV DESC: EC NO: 602373 DRWN: DSHETTY01 2018/05/25 CHK'D: MVANSLAMBROU 2018/10/04 APPR: MVANSLAMBROU 2018/10/04	 MX150 BLADE SINGLE ROW SEALED ASSY MAT SEAL		
	GENERAL TOLERANCES (UNLESS SPECIFIED) ANGULAR TOL ± 1.0° 4 PLACES ± 3 PLACES ± 2 PLACES ± 0.1 1 PLACE ± 0.2 0 PLACES ±	INITIAL REVISION: DRWN: APROFFITT 2015/07/21 APPR: KDEKOSKI 2016/06/14			
DRAFT WHERE APPLICABLE MUST REMAIN WITHIN DIMENSIONS 	THIRD ANGLE PROJECTION 	DRAWING: A1-SIZE SERIES: 33481	MATERIAL NUMBER: SEE NOTE 2a. CUSTOMER: GENERAL MARKET SHEET NUMBER: 4 OF 9		

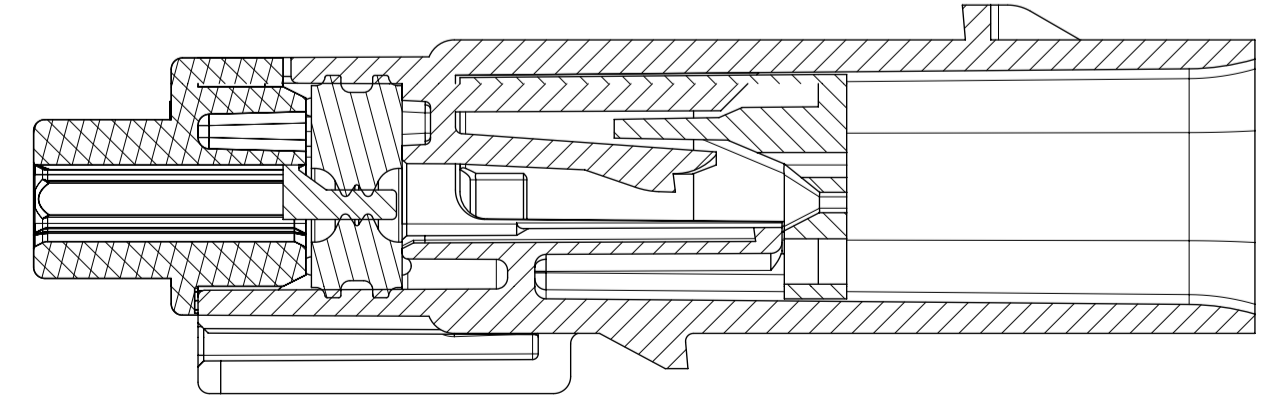
SHEET DESCRIPTION
BLADE SEALED ASSEMBLY

DESCRIPTION	DIMENSIONS				
	A	B	C	D	E
1X2	N/A	1.75	21.00	55.50	17.30
1X6	29.69	1.75	31.71	54.45	17.23

OPTIONAL LASER MARKING ON THIS SURFACE SEE NOTE 3g.



PRIMARY LOCK REINFORCEMENT (PLR) SHOWN IN PRE-STAGED POSITION
SECTION B-B

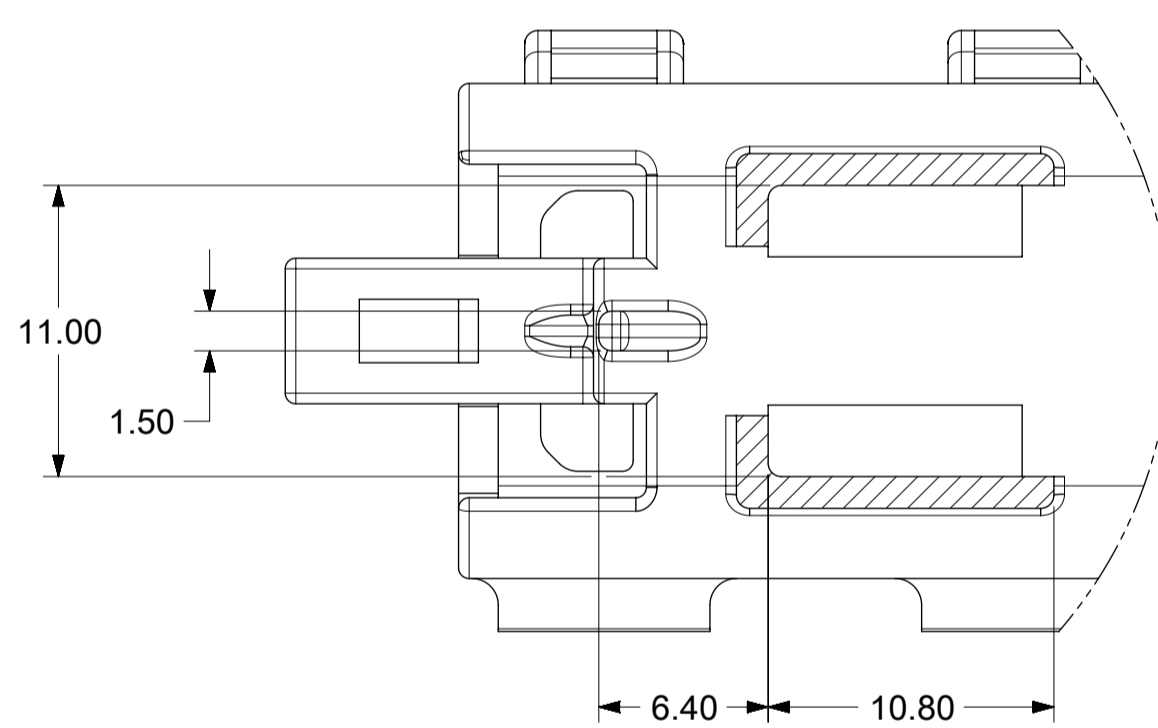
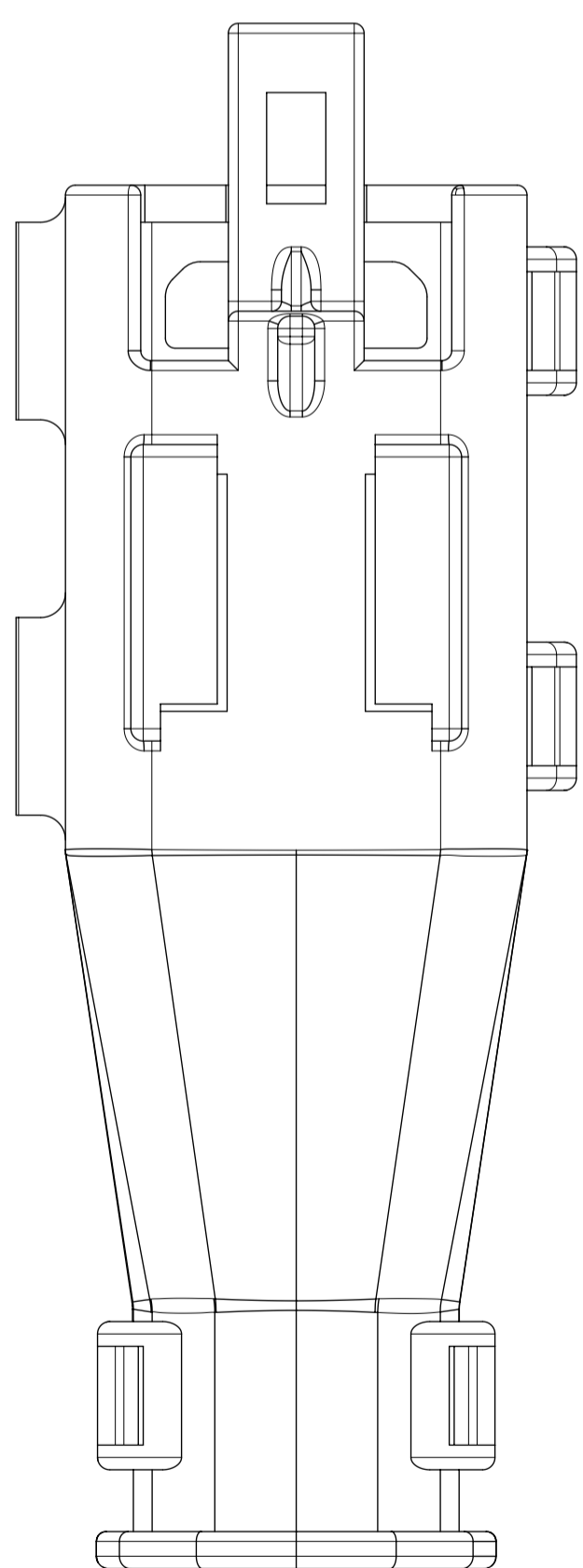
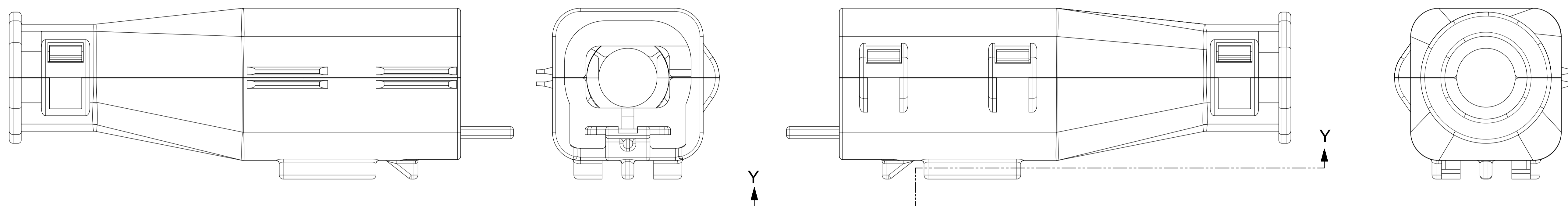


PRIMARY LOCK REINFORCEMENT (PLR) SHOWN IN FINAL-LOCK POSITION
SECTION Z-Z

SYMBOLS THIS DRAWING CONTAINS INFORMATION THAT IS PROPRIETARY TO MOLEX ELECTRONIC TECHNOLOGIES, LLC AND SHOULD NOT BE USED WITHOUT WRITTEN PERMISSION DIMENSION UNITS: MM ONLY SCALE: 3:1 GENERAL TOLERANCES (UNLESS SPECIFIED): ANGULAR TOL: ± 1.0° 0 PLACES ± 3 PLACES ± 2 PLACES ± 0.1 1 PLACE ± 0.2 0 PLACES ± DRAFT WHERE APPLICABLE MUST REMAIN WITHIN DIMENSIONS THIRD ANGLE PROJECTION	CURRENT REV DESC: EC NO: 602373 DRWN: DSHETTY01 2018/05/25 CHK'D: MVANSLAMBROU 2018/10/04 APPR: MVANSLAMBROU 2018/10/04 INITIAL REVISION: DRWN: APROFFITT 2015/07/21 APPR: KDEKOSKI 2016/06/14	 MX150 BLADE SINGLE ROW SEALED ASSY MAT SEAL		
	PRODUCT CUSTOMER DRAWING DOCUMENT NUMBER: SD-33481-0001 DOC TYPE: PSD DOC PART: 001 REVISION: A1			
	MATERIAL NUMBER: SEE NOTE 2a. CUSTOMER: GENERAL MARKET SHEET NUMBER: 5 OF 9			

SHEET DESCRIPTION

BACKSHELL

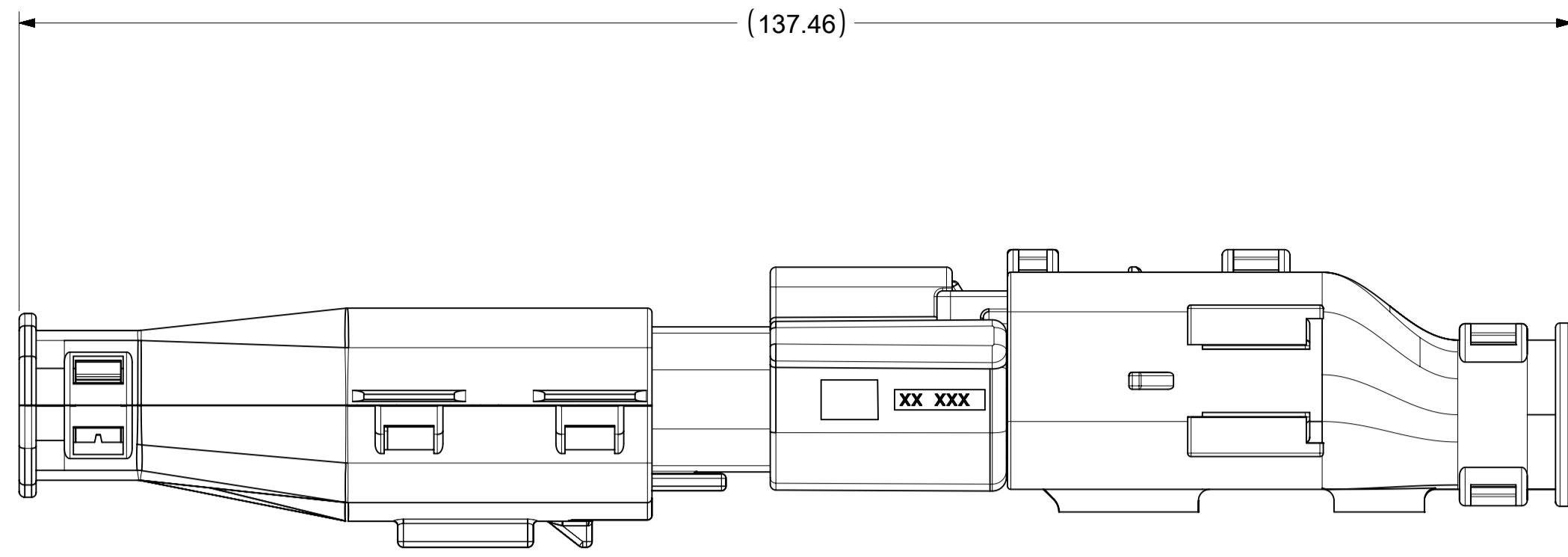


PARTIAL Y-Y
SCALE 3.5:1

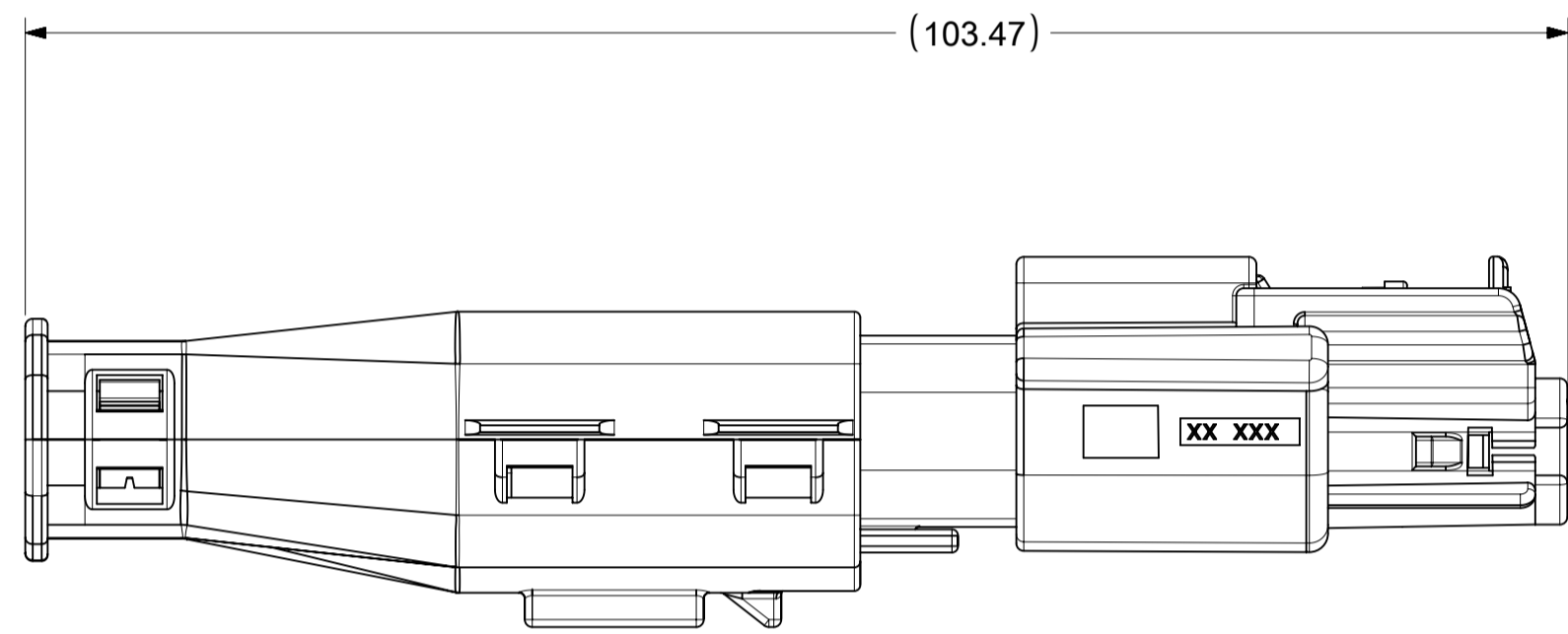
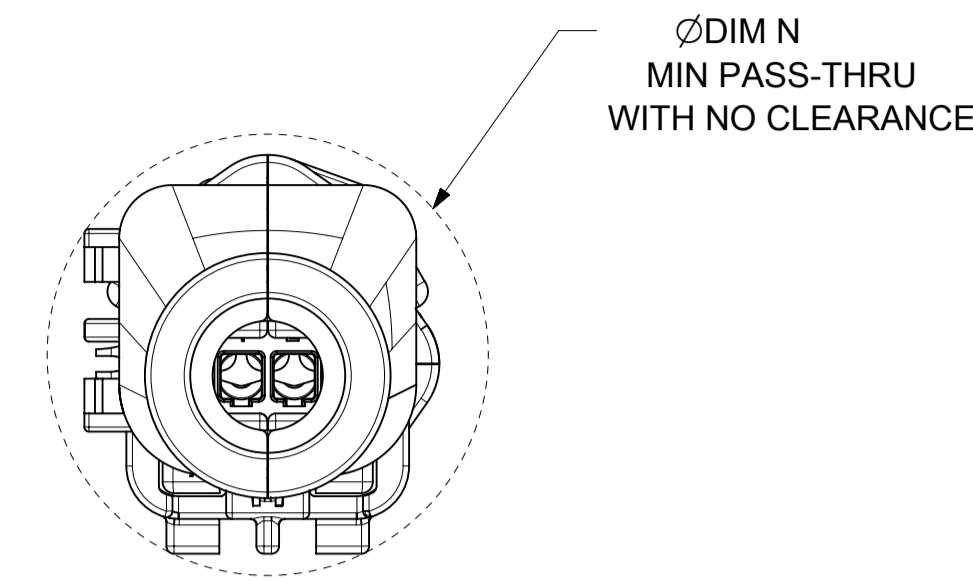
SYMBOLS = 0 = 0 = 0 = 0 = 0 = 0 = 0 = 0 = 0 = 0	THIS DRAWING CONTAINS INFORMATION THAT IS PROPRIETARY TO MOLEX ELECTRONIC TECHNOLOGIES, LLC AND SHOULD NOT BE USED WITHOUT WRITTEN PERMISSION DIMENSION UNITS: MM ONLY SCALE: 3.5:1	CURRENT REV DESC: EC NO: 602373 DRWN: DSHETTY01 2018/05/25 CHK'D: MVANSLAMBROU 2018/10/04 APPR: MVANSLAMBROU 2018/10/04	 MX150 BLADE SINGLE ROW SEALED ASSY MAT SEAL		
	GENERAL TOLERANCES (UNLESS SPECIFIED) ANGULAR TOL ± 1.0° 4 PLACES ± 3 PLACES ± 2 PLACES ± 0.1 1 PLACE ± 0.2 0 PLACES ± DRAFT WHERE APPLICABLE MUST REMAIN WITHIN DIMENSIONS	INITIAL REVISION: DRWN: APROFFITT 2015/07/21 APPR: KDEKOSKI 2016/06/14	PRODUCT CUSTOMER DRAWING DOCUMENT NUMBER: SD-33481-0001 DOC TYPE: PSD DOC PART: 001 REVISION: A1	MATERIAL NUMBER: SEE NOTE 2a. CUSTOMER: GENERAL MARKET SHEET NUMBER: 8 OF 9	

SHEET DESCRIPTION
BACKSHELL CONFIGURATIONS

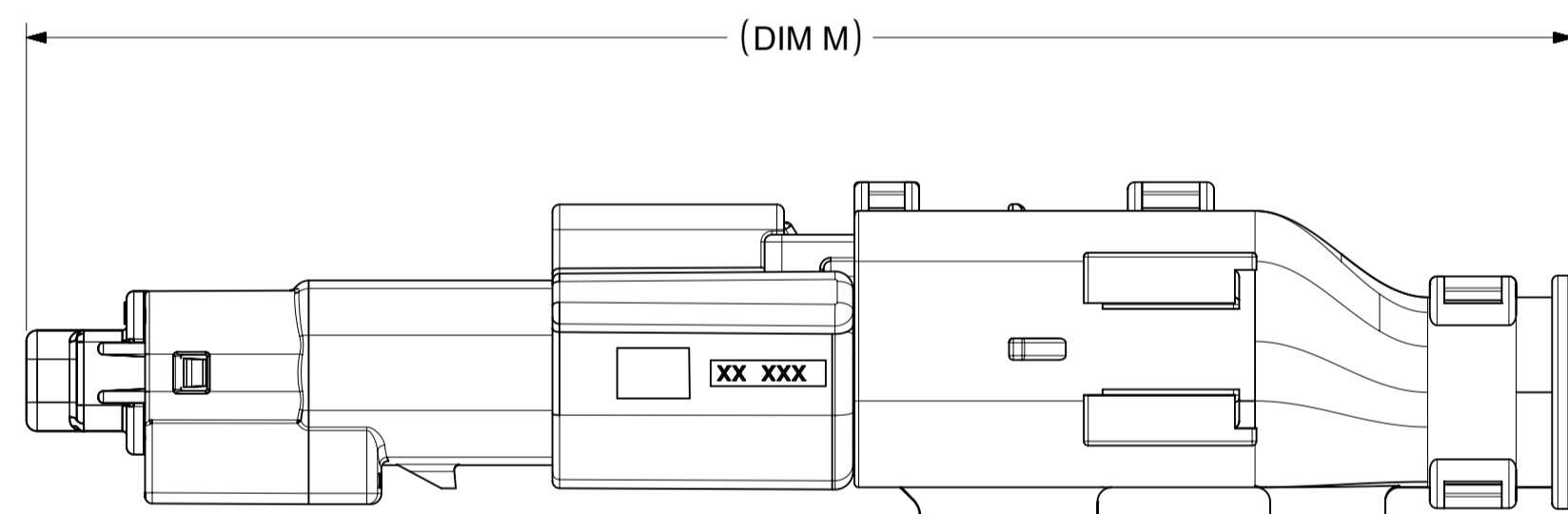
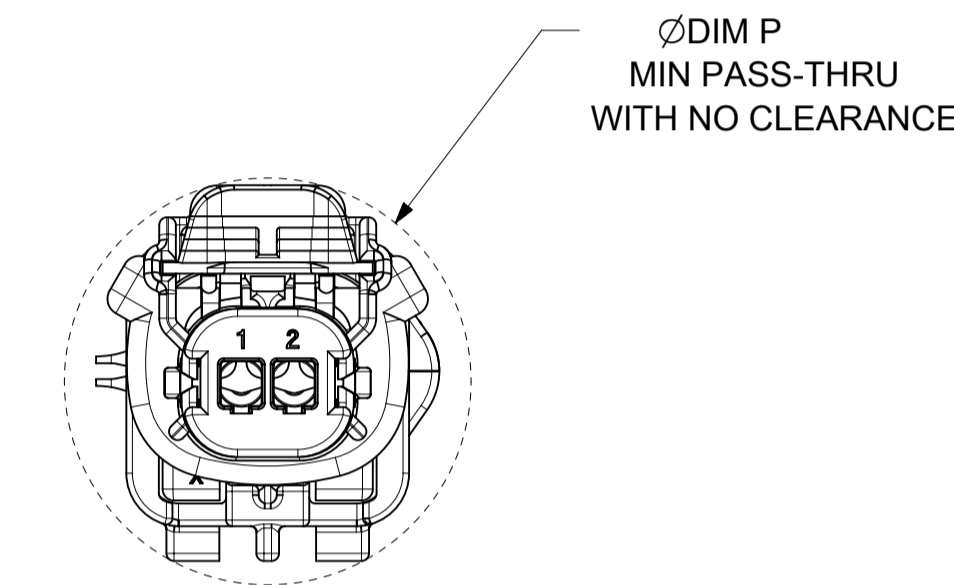
CKT	BLADE CONFIGURATION	RECEPTACLE CONFIGURATION	DIMENSIONS				
			M	N	P	R	S
1X2	STANDARD	STANDARD	107.84	29.50	27.00	26.25	25.00



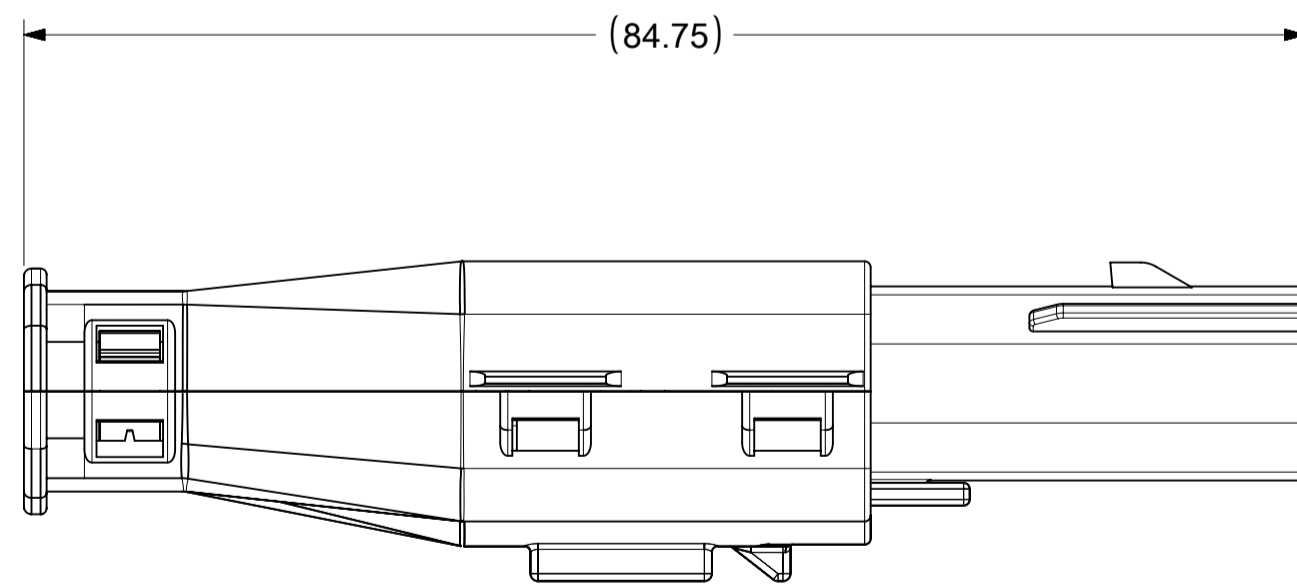
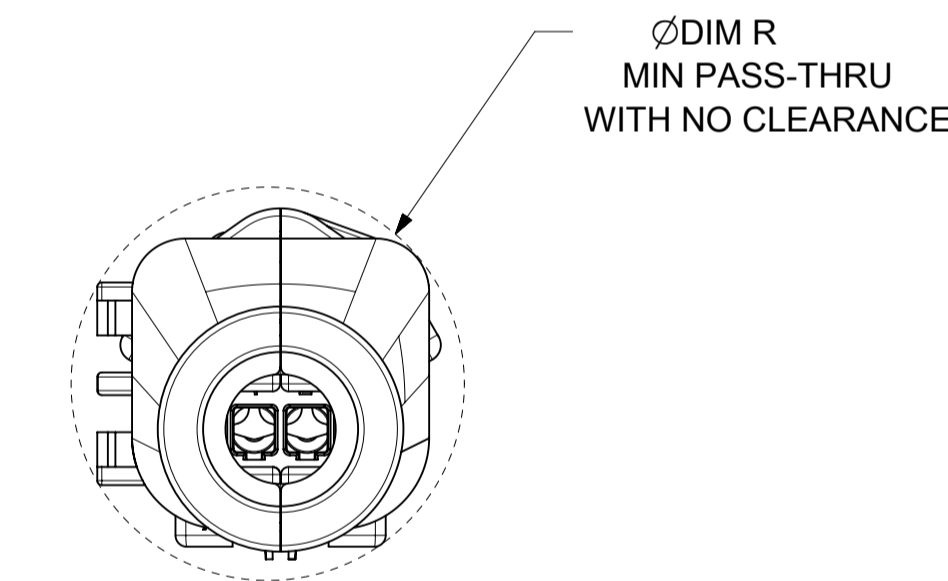
OVERALL MATED SYSTEM WITH BLADE AND RECEPTACLE BACKSHELL



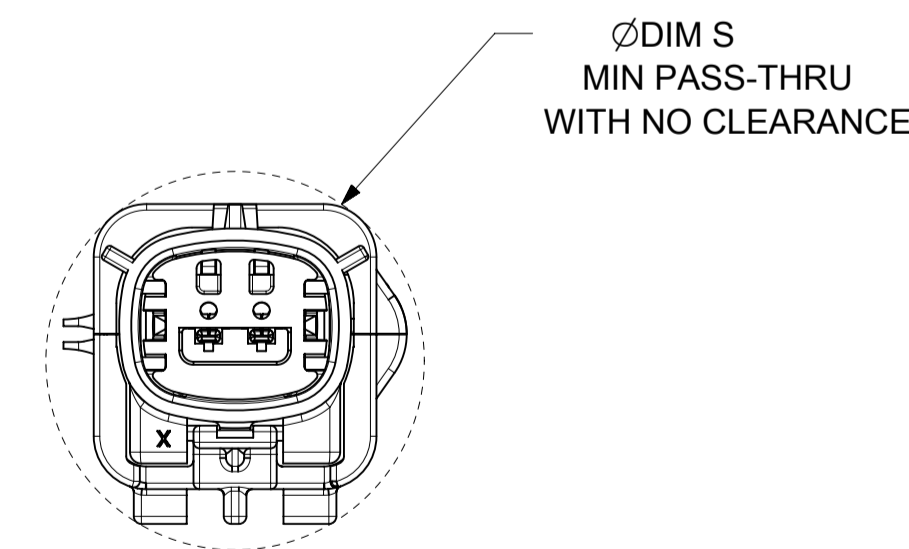
OVERALL MATED SYSTEM WITH BLADE BACKSHELL



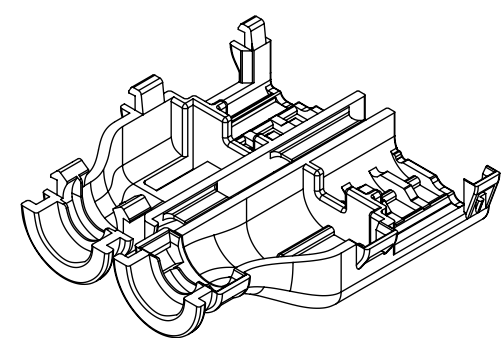
OVERALL MATED SYSTEM WITH RECEPTACLE BACKSHELL



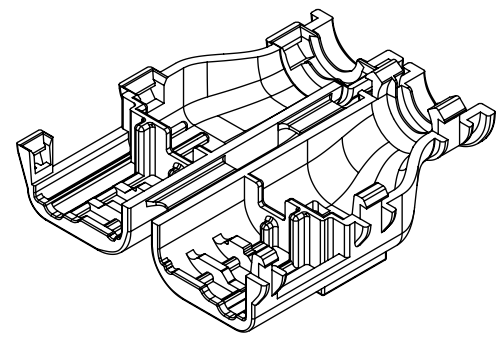
BLADE SEALED ASSEMBLY WITH BLADE BACKSHELL



SYMBOLS = 0 = 0 = 0 = 0 = 0 = 0 = 0	THIS DRAWING CONTAINS INFORMATION THAT IS PROPRIETARY TO MOLEX ELECTRONIC TECHNOLOGIES, LLC AND SHOULD NOT BE USED WITHOUT WRITTEN PERMISSION DIMENSION UNITS: MM ONLY SCALE: 2:1	CURRENT REV DESC: EC NO: 602373 DRWN: DSHETTY01 2018/05/25 CHK'D: MVANSLAMBROU 2018/10/04 APPR: MVANSLAMBROU 2018/10/04 INITIAL REVISION: DRWN: APROFFITT 2015/07/21 APPR: KDEKOSKI 2016/06/14	 MX150 BLADE SINGLE ROW SEALED ASSY MAT SEAL		
	GENERAL TOLERANCES (UNLESS SPECIFIED) ANGULAR TOL ± 1.0° 4 PLACES ± 3 PLACES ± 2 PLACES ± 0.1 1 PLACE ± 0.2 0 PLACES ± DRAFT WHERE APPLICABLE MUST REMAIN WITHIN DIMENSIONS	PRODUCT CUSTOMER DRAWING DOCUMENT NUMBER: SD-33481-0001 DOC TYPE: PSD DOC PART: 001 REVISION: A1		MATERIAL NUMBER: SEE NOTE 2a. CUSTOMER: GENERAL MARKET SHEET NUMBER: 9 OF 9	



1X2 RECEPTACLE



1X3 RECEPTACLE

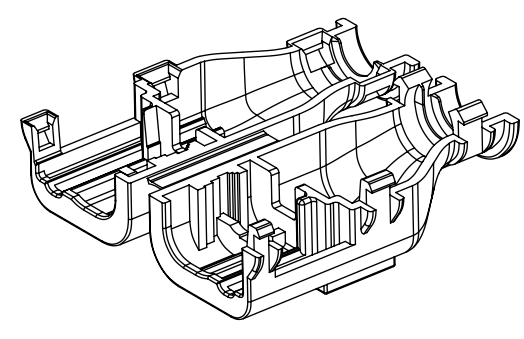
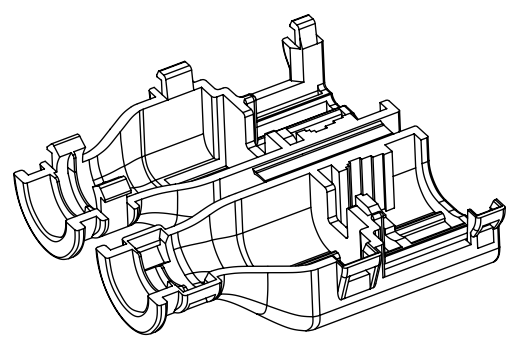


TABLE OF CONTENTS

SHEET NO.	SHEET DESCRIPTION
1	NOTES AND BOM
2	CONFIGURATIONS
3	BACKSHELL DETAIL

BILL OF MATERIALS (BOM)

PART NUMBER	CIRCUIT SIZE	RIBS	STATUS	MATING ASSEMBLY DRAWING
34949-0210	1X2	YES	SALEABLE	SD-33471-021
34949-0220	1X2	NO	SALEABLE	SD-33471-021
34949-0310	1X3	YES	SALEABLE	SD-33471-031
34949-0320	1X3	NO	NOT TOOLED	SD-33471-031

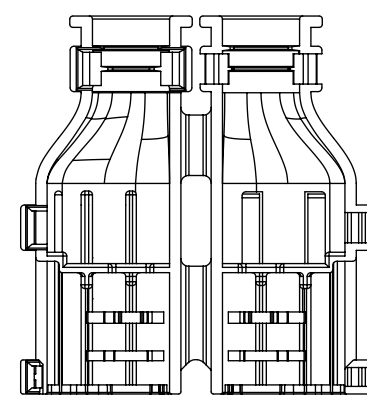
BACKSHELL NOTES: VALID UNLESS OTHERWISE SPECIFIED

1. GENERAL:
 - a. APPLICATION SPECIFICATION SEE: AS-34951-001
 - DESIGNED TO MATE WITH RECEPTACLE SEALED ASSEMBLY AS SPECIFIED IN BOM
 - COMPONENTS ARE OPTIONAL AND MUST BE PURCHASED SEPERATELY
 - BACKSHELL DESIGN IS OWNED BY SCHLEMMER
 - b. PRODUCT SPECIFICATION
 - THESE PRODUCTS ARE ONE TIME USE ONLY.
 - REMOVAL FORCE OF THE BACKSHELL FROM THE MOLEX CONNECTOR TO BE 100N MIN.
 - REMOVAL FORCE OF SLIT CONVOLUTE FROM THE WITH RIB OPTION BACKSHELLS TO BE 100N MIN.
 - REMOVAL FORCE OF UNSLIT CONVOLUTE FROM THE WITH RIB OPTION BACKSHELLS TO BE 100N MIN.
 - c. PACKAGING SPECIFICATION SEE PK-31302-118
 - d. PARTS MUST BE IN COMPLIANCE TO MOLEX CHEMICAL SUBSTANCES FOR PRODUCTS AND PACKAGING SPECIFICATION: QEHS-699000-300
 - e. DATA MUST BE SUBMITTED UNDER THE MOLEX PART NUMBER TO IMDS (COMPANY ID#13255)
 - f. FOLLOWING PRODUCTION CODES TO BE PRESENT
 - DATE CODE
 - MOLD CAVITY CODE
 - MOLEX LOGO
 - RECYCLE CODE
 - SUPPLIER PART NUMBER
2. DESIGN - MATERIALS:
 - a. PA66 0% GLASS FILLED
 - b. BLACK
3. DESIGN GEOMETRY:
 - a. THIS IS A 100% CAD GENERATED PART. THE CAD MATHEMATICAL DATA IS THE MASTER FOR THIS PART. FOR DIMENSIONAL OR ANY INFORMATION NOT SHOWN ON THIS DRAWING, ANALYZE THE CAD MODEL.
 - b. GEOMETRIC DIMENSIONS AND TOLERANCES PER ASME Y14.5M - 2009
 - c. CORNERS SHOWN AS SHARP TO BE R 0.1.
 - d. VISUAL DEFECTS SHALL MEET COSMETEIC STANDARD PS-45499-002 (CLASS B).
 - e. DRAFT OF 2° PRESENT.
 - f. ALLOWABLE FLASH, PARTING LINES MISMATCH, EJECTOR PINS MARK, AND GATE VESTIGE TO BE +0.30 MAX PROTUSION.

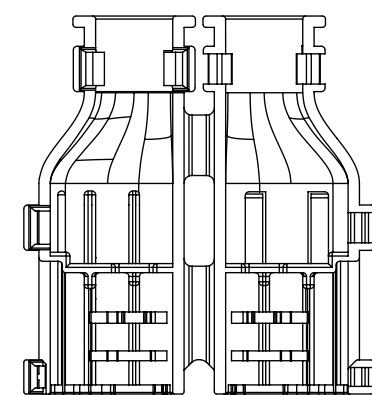
A7	ADDING BALLOON NUMBERS
A6	NX REMASTERING
A5	REVISION CREATED FOR SYSTEM CLEANUP
A4	UPDATED BOM TABLE
A3	CHANGED THE 34949-0310 STATUS TO SALEABLE
A2	ADD 1X3 CIRCUIT SIZE
A1	UPDATED STATUS COLUMN
A	INITIAL RELEASE
REV	DESCRIPTION

SYMBOLS	THIS DRAWING CONTAINS INFORMATION THAT IS PROPRIETARY TO MOLEX ELECTRONIC TECHNOLOGIES, LLC AND SHOULD NOT BE USED WITHOUT WRITTEN PERMISSION		CURRENT REV DESC:		molex	
	DIMENSION UNITS	SCALE				
	mm	1:1				
	GENERAL TOLERANCES (UNLESS SPECIFIED)					
	ANGULAR TOL	± 1.0°				
	4 PLACES	±				
	3 PLACES	±				
	2 PLACES	± 0.13				
	1 PLACE	± 0.25				
	0 PLACES	±				
	DRAFT WHERE APPLICABLE MUST REMAIN WITHIN DIMENSIONS					
	THIRD ANGLE PROJECTION	DRAWING	SERIES			
	D-DRAWING	D-SIZE	34949			
EC NO: 634201						
DRWN: PPALLAN 2020/03/17						
CHK'D: MVANSLAMBROU 2020/04/06						
APPR: MVANSLAMBROU 2020/04/06						
INITIAL REVISION:						
DRWN: KCUNNINGHAM 2013/06/10						
APPR: VKOSHY 2013/06/11						
DOCUMENT NUMBER		DOC TYPE	DOC PART	REVISION		
SD-34949-0001		PSD	001	A7		
MATERIAL NUMBER	CUSTOMER	SHEET NUMBER				
SEE BOM	GENERAL MARKET	1 OF 3				

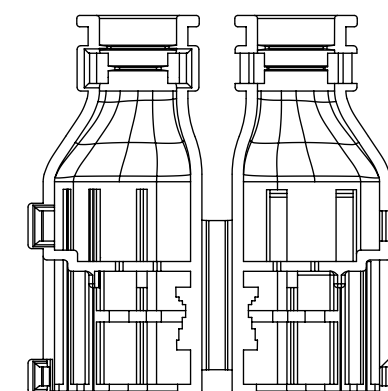
CONFIGURATION



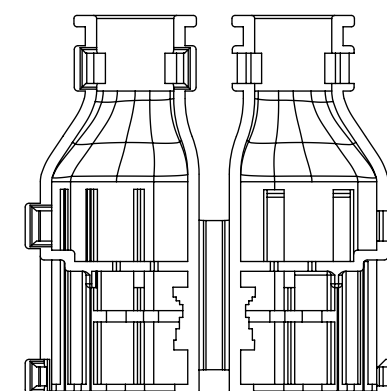
34949-0210
1X2 FEMALE WITH RIBS



34949-0220
1X2 FEMALE WITHOUT RIBS



34949-0310
1X3 FEMALE WITH RIBS



34949-0320
1X3 FEMALE WITHOUT RIBS

SYMBOLS	THIS DRAWING CONTAINS INFORMATION THAT IS PROPRIETARY TO MOLEX ELECTRONIC TECHNOLOGIES, LLC AND SHOULD NOT BE USED WITHOUT WRITTEN PERMISSION		
	DIMENSION UNITS	SCALE	CURRENT REV DESC:
= 0	mm	1:1	<p>EC NO: 634201 DRWN: PPALLAN 2020/03/17 CHK'D: MVANSLAMBROU 2020/04/06 APPR: MVANSLAMBROU 2020/04/06</p> <p>INITIAL REVISION: DRWN: KCUNNINGHAM 2013/06/10 APPR: VKOSHY 2013/06/11</p>
= 0	GENERAL TOLERANCES (UNLESS SPECIFIED)		
= 0	ANGULAR TOL ± 1.0°		
= 0	4 PLACES	±	
= 0	3 PLACES	±	
= 0	2 PLACES	± 0.13	
= 0	1 PLACE	± 0.25	
= 0	0 PLACES	±	
= 0	DRAFT WHERE APPLICABLE MUST REMAIN WITHIN DIMENSIONS	THIRD ANGLE PROJECTION	DRAWING: D-SIZE SERIES: 34949
DOCUMENT STATUS		P1	RELEASE DATE
2020/04/06		17:36:23	
DOCUMENT NUMBER		DOC TYPE	DOC PART
SD-34949-0001		PSD	001
REVISION		A7	
MATERIAL NUMBER		CUSTOMER	SHEET NUMBER
SEE BOM		GENERAL MARKET	2 OF 3

molex

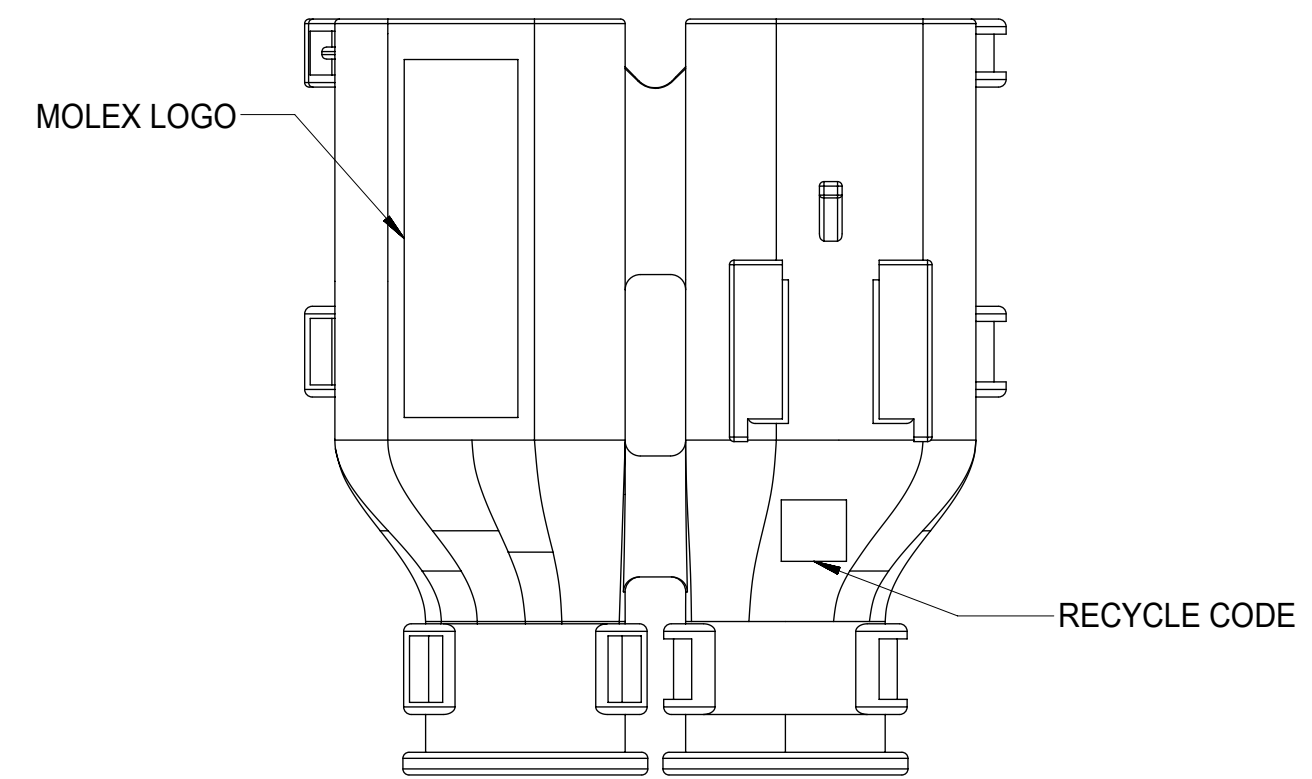
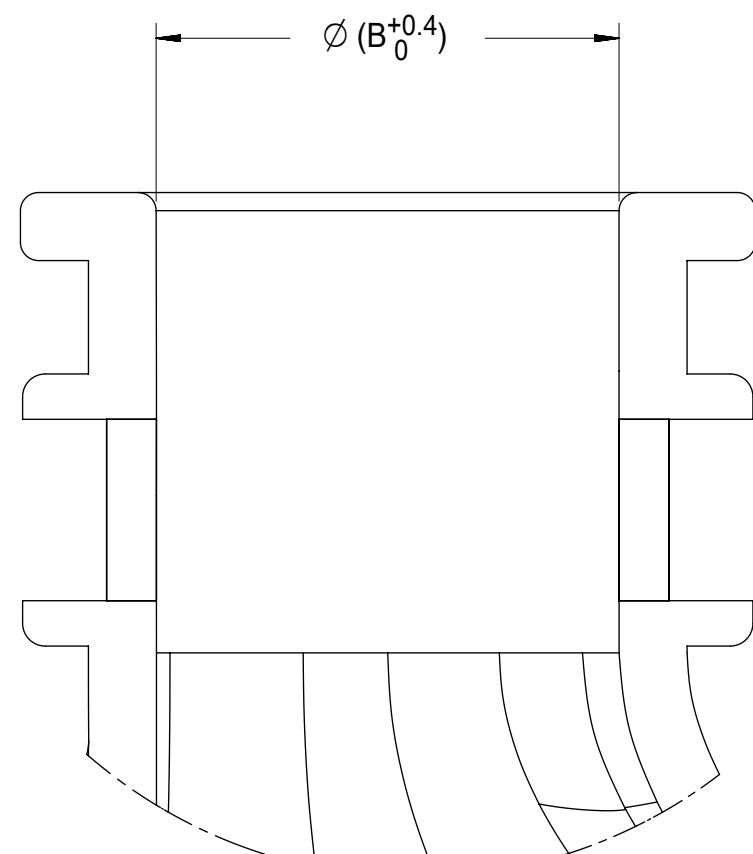
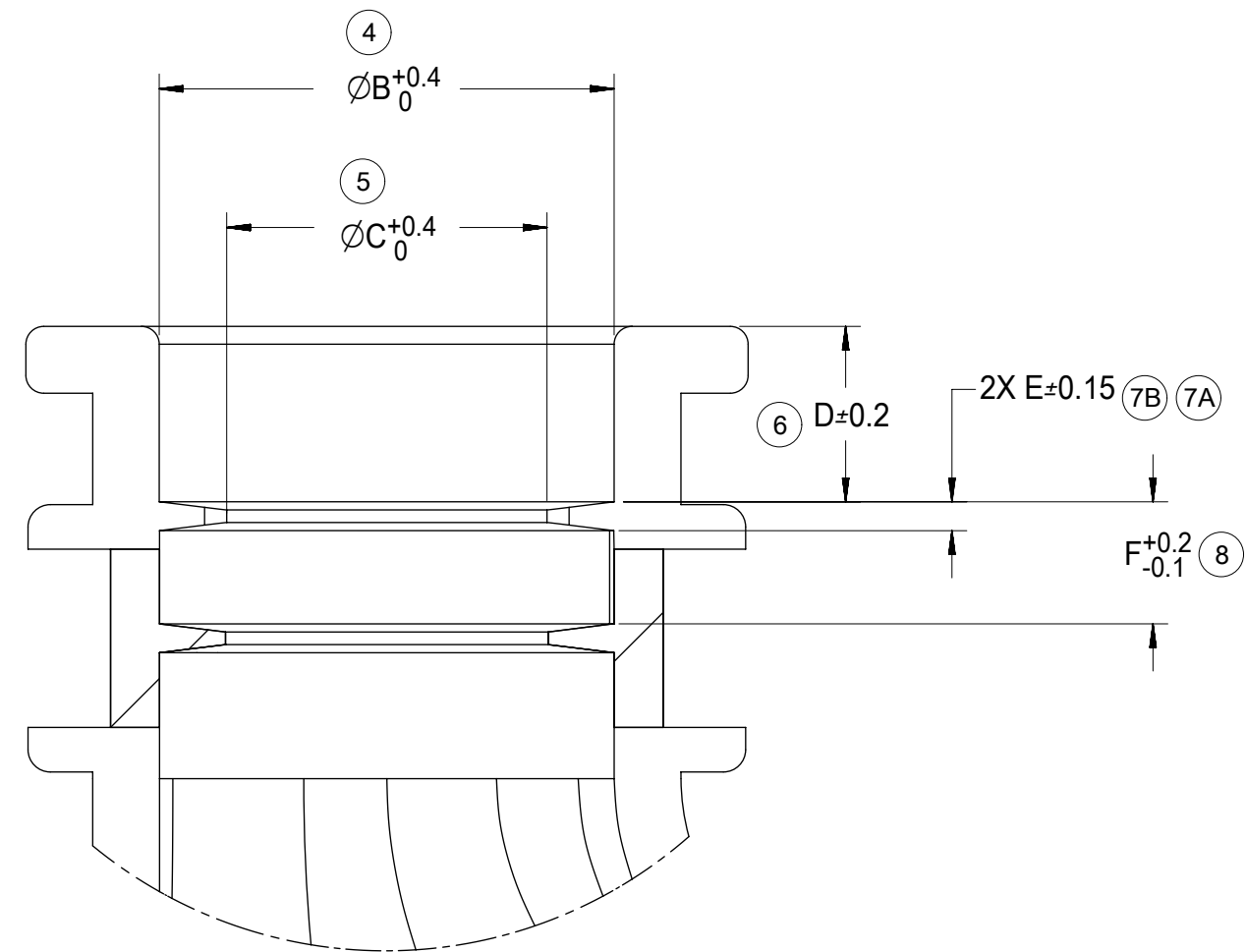
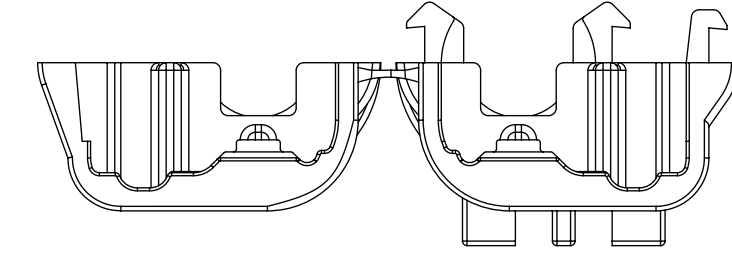
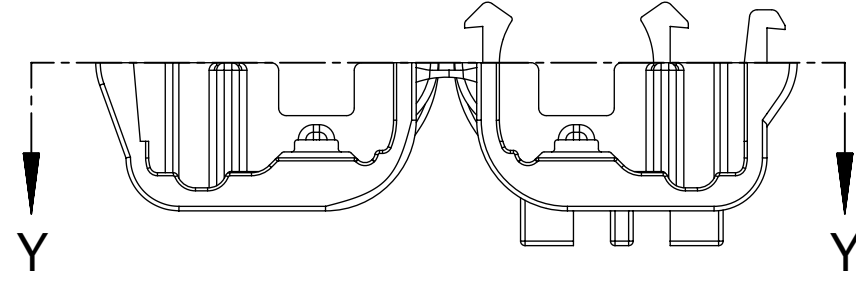
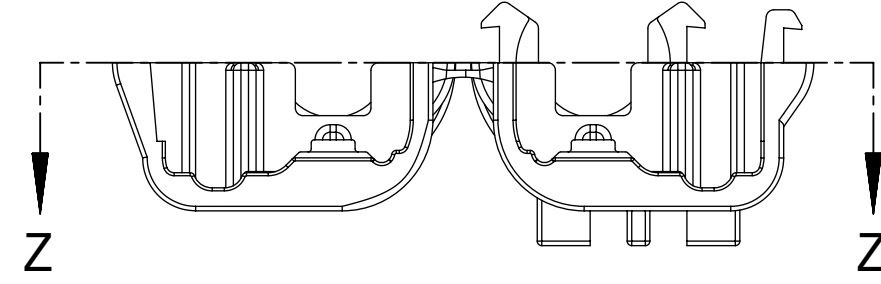
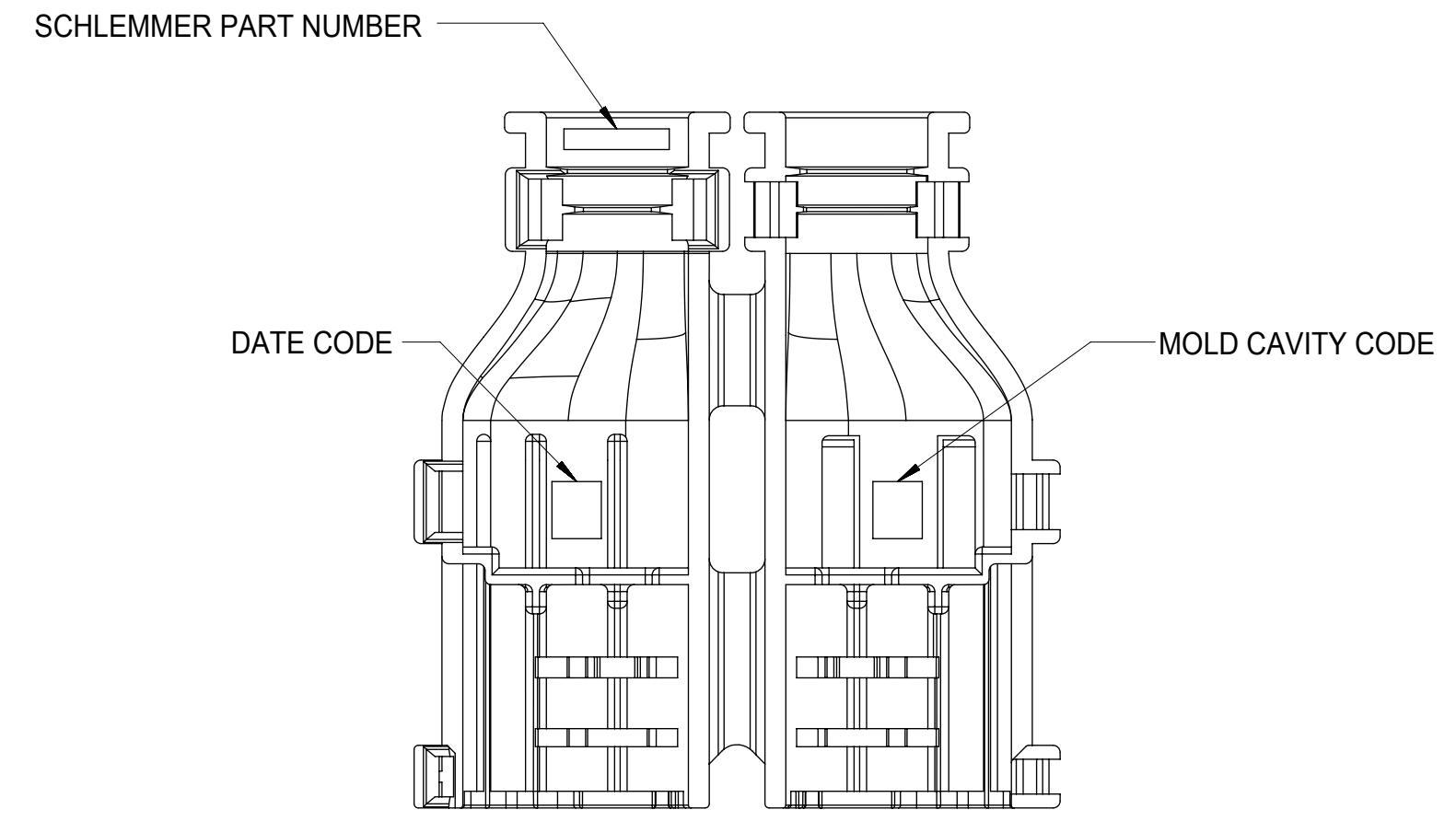
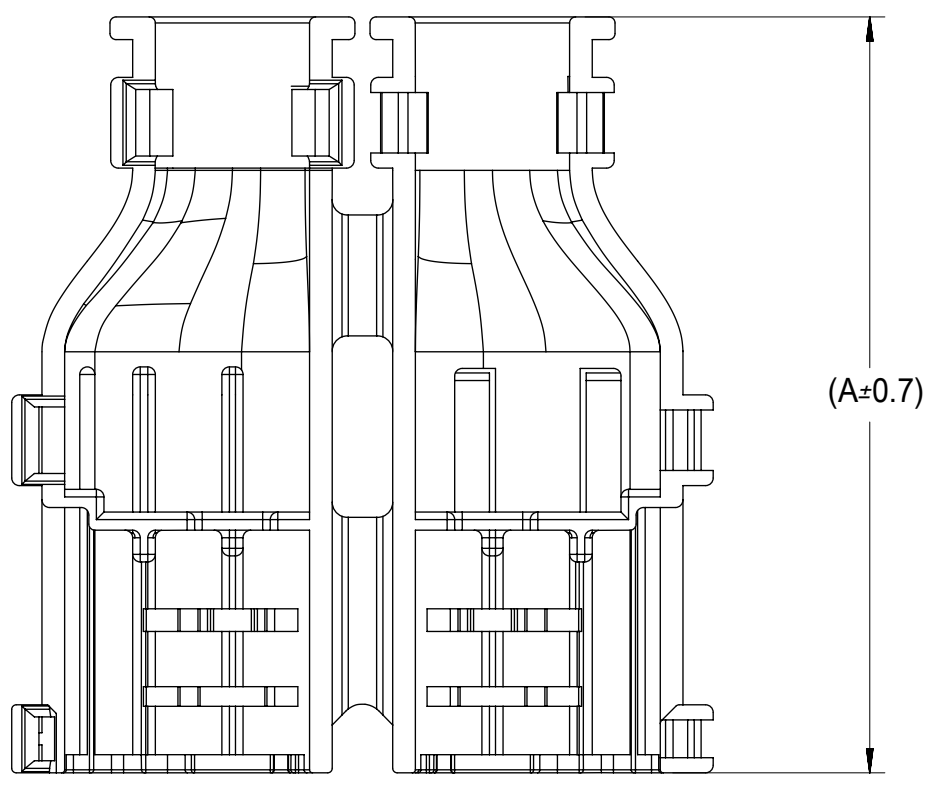
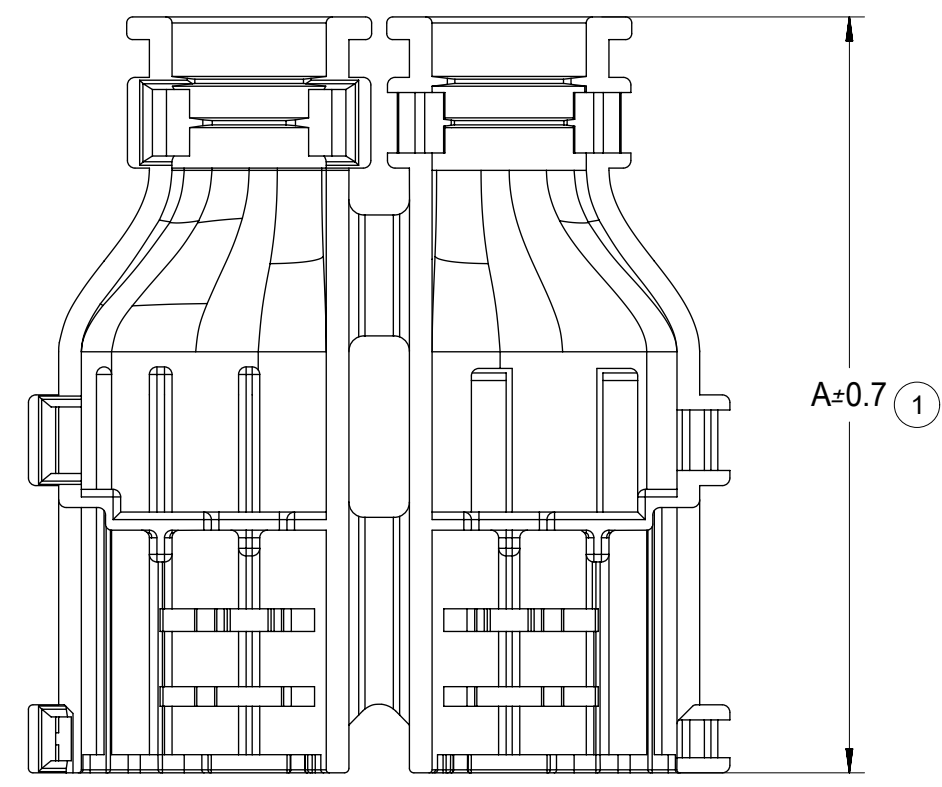
MX150 RECEPTACLE
SINGLE ROW BACKSHELL

PRODUCT CUSTOMER DRAWING

DOCUMENT NUMBER: SD-34949-0001
DOC TYPE: PSD
DOC PART: 001
REVISION: A7

MATERIAL NUMBER: SEE BOM
CUSTOMER: GENERAL MARKET
SHEET NUMBER: 2 OF 3

BACKSHELL DETAIL



Partial Z-Z
SCALE 6:1
WITH RIBS

Partial Y-Y
SCALE 6:1
WITHOUT RIBS

PART NUMBER	DIMENSIONS					
	A	B	C	D	E	F
34949-0210	50	10.2	7.2	3.9	0.65	2.7
34949-0220	50	10.2	N/A	N/A	N/A	N/A
34949-0310	50	10.2	7.2	3.9	0.65	2.7
34949-0320	50	10.2	N/A	N/A	N/A	N/A

SYMBOLS	THIS DRAWING CONTAINS INFORMATION THAT IS PROPRIETARY TO MOLEX ELECTRONIC TECHNOLOGIES, LLC AND SHOULD NOT BE USED WITHOUT WRITTEN PERMISSION			
	DIMENSION UNITS	SCALE	CURRENT REV DESC:	
= 0	mm	1:1	EC NO: 634201	
= 0	GENERAL TOLERANCES (UNLESS SPECIFIED)		DRWN: PPALLAN 2020/03/17	
= 0	ANGULAR TOL ± 1.0°		CHK'D: MVANSLAMBROU 2020/04/06	
= 0	4 PLACES	±	APPR: MVANSLAMBROU 2020/04/06	
= 0	3 PLACES	±	INITIAL REVISION:	
= 0	2 PLACES	± 0.13	DRWN: KCUNNINGHAM 2013/06/10	
= 0	1 PLACE	± 0.25	APPR: VKOSHY 2013/06/11	
= 0	0 PLACES	±	DRAFT WHERE APPLICABLE	
= 0	MUST REMAIN WITHIN DIMENSIONS		THIRD ANGLE PROJECTION	DRAWING SERIES
= 0				D-SIZE 34949
		MATERIAL NUMBER		CUSTOMER SHEET NUMBER
		SD-34949-0001		SEE BOM GENERAL MARKET 3 OF 3
		DOCUMENT NUMBER		DOC TYPE DOC PART REVISION
		PSD 001		A7



MX150 RECEPTACLE
SINGLE ROW BACKSHELL

PRODUCT CUSTOMER DRAWING

DOCUMENT NUMBER	DOC TYPE	DOC PART	REVISION
SD-34949-0001	PSD	001	A7