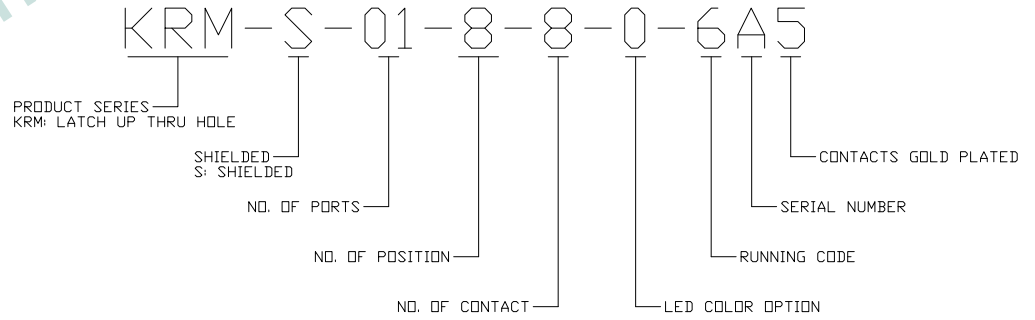
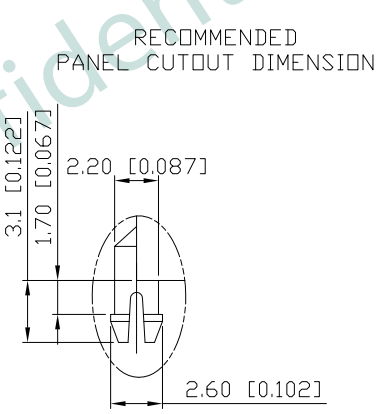
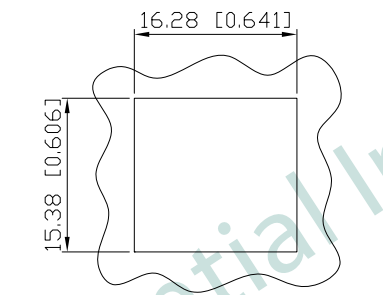
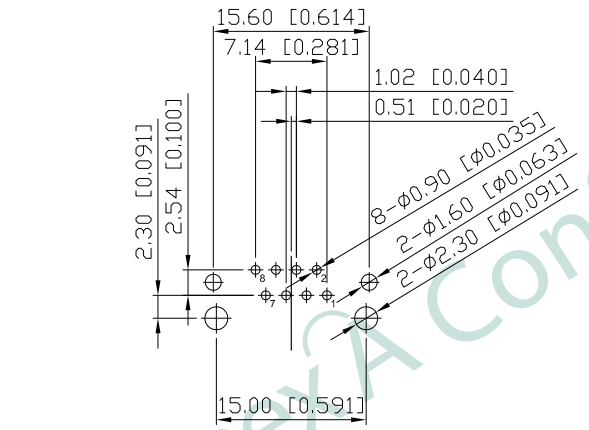
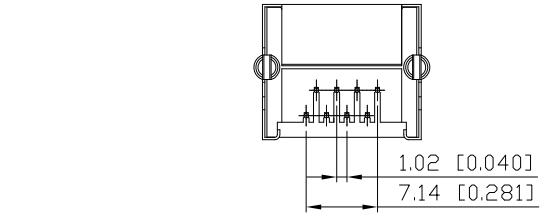
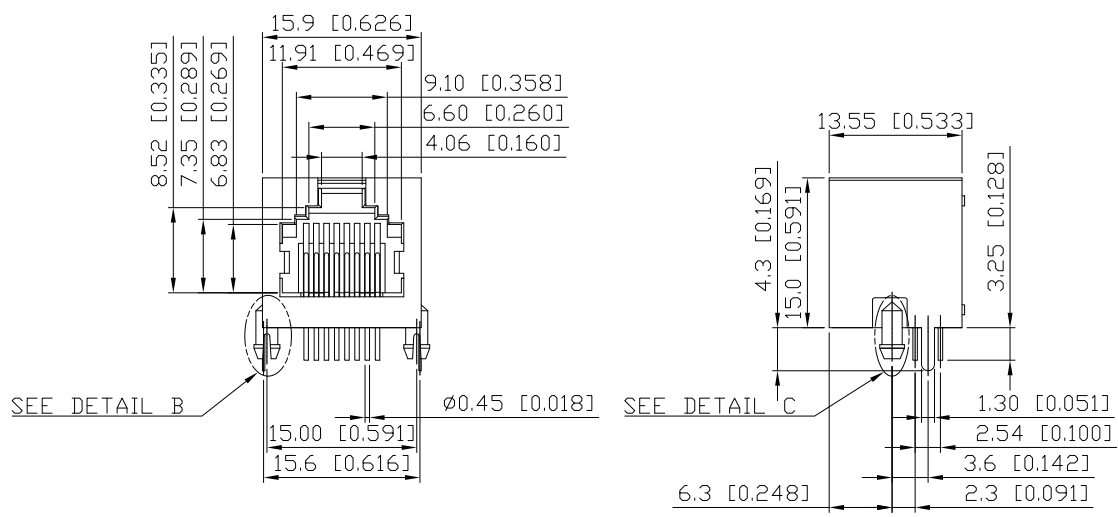


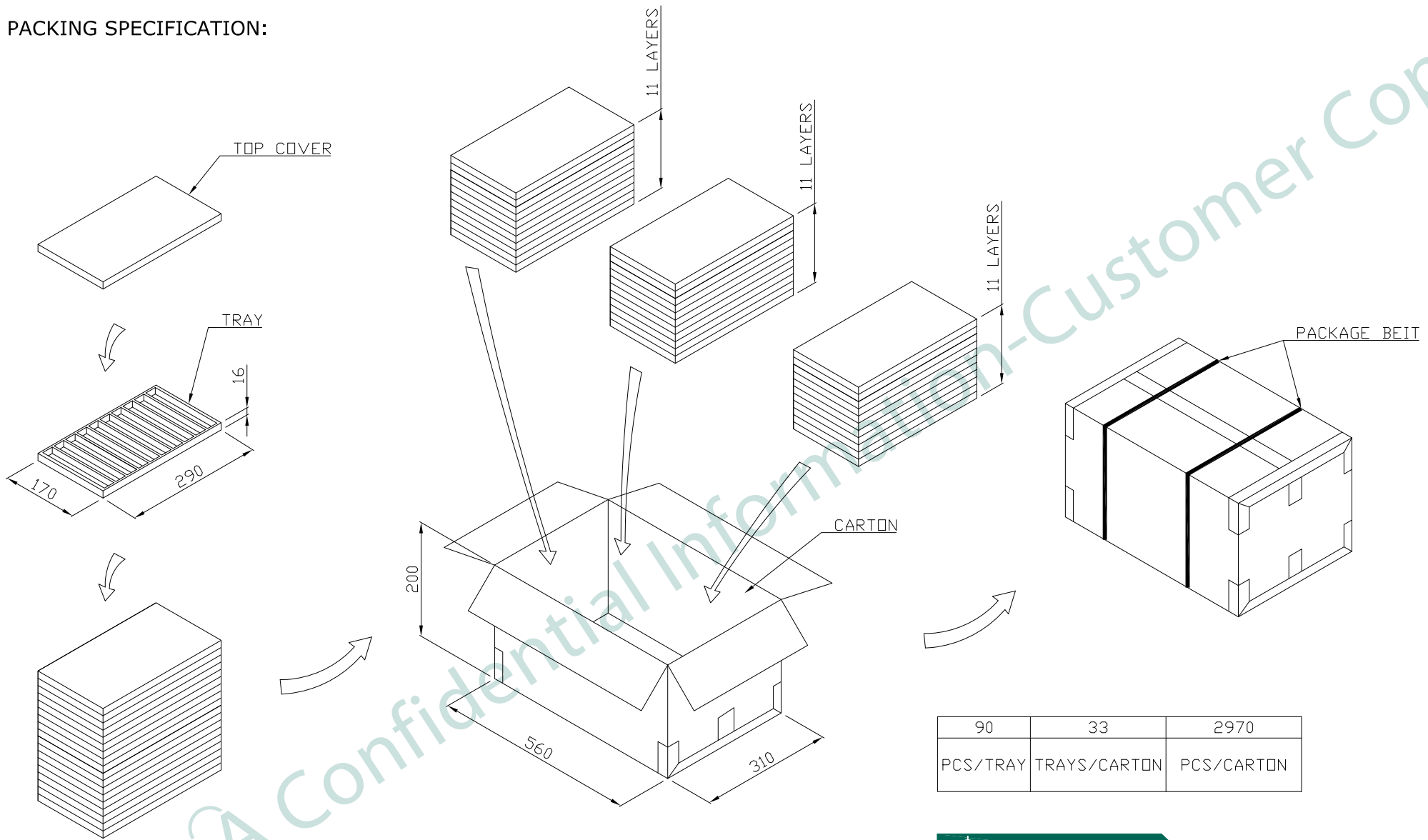
1. MECHANICAL DIMENSIONS :



- NOTES:
- MATERIAL:  
HOUSING: HIGH THERMOPLASTIC, UL94V-0, BLACK  
CONTACTS: PHOS-BRONZE,  
GOLD FLASH PLATING ON CONTACT AREA,  
NICKEL UNDERPLATING OVERALL  
SHIELD: COPPER ALLOY, NICKEL PLATING
  - OPERATING TEMPERATURE: -40°C~+85°C
  - INSERTION FORCE: 4 POUNDS MAX.  
EXTRACTION FORCE: 4 POUNDS MAX.
  - DURABILITY: 750 MATING CYCLED MIN.
  - CAVITY CONFORMS TO FCC RULES AND REGULATIONS PART 68, SUBPART F.
  - UNSPECIFIED TOLERANCE: .XX ±0.25[0.010]  
.X ±0.30[0.012]

PART NO		KRM-S-01-8-8-0-6A5		
TITLE	RJ45 8P8C, W/D LED, SHIELDED			
REV : 01				
UNIT	DRAWN	CHKD	DATE	SHEET
mm[inch]	CINDY	DANIEL	Jan. 09, '18	1 of 3

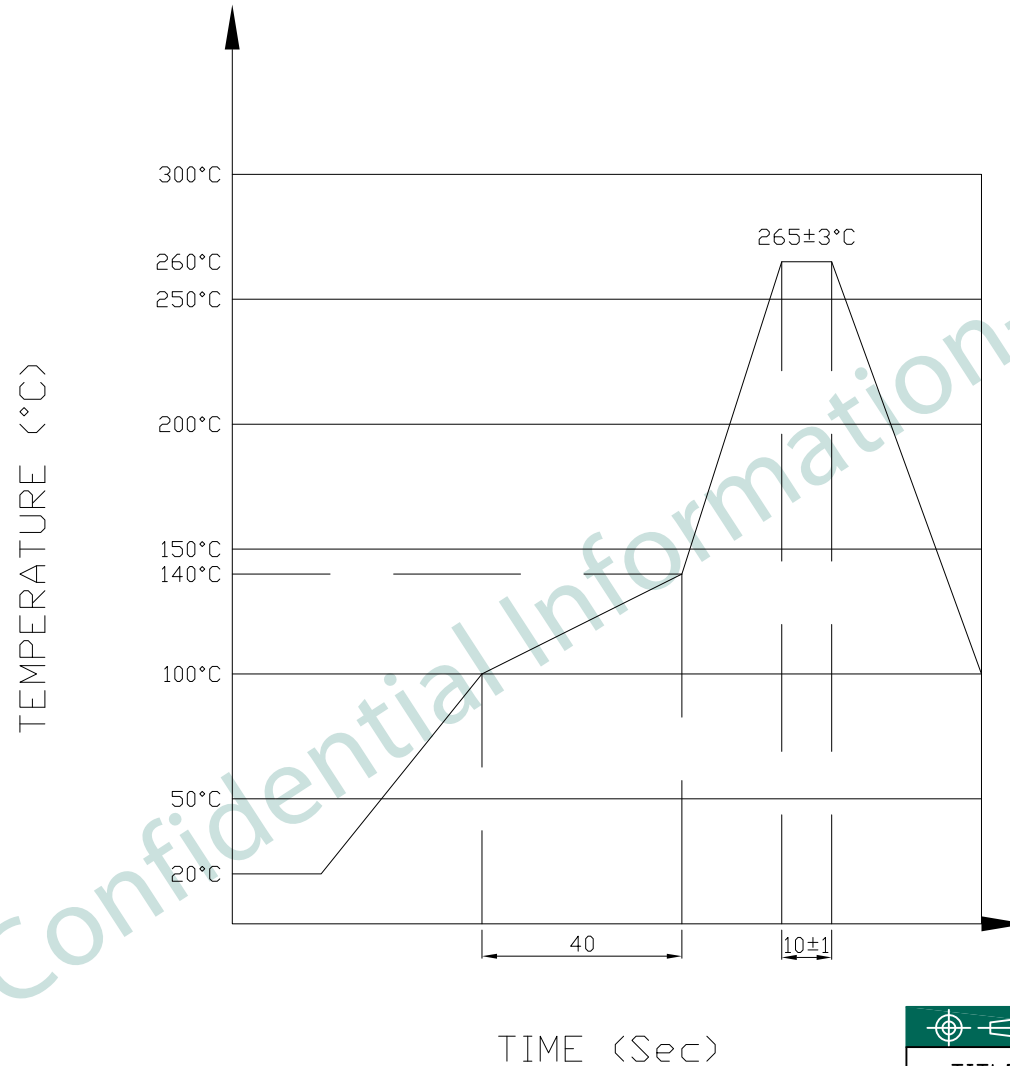
2. PACKING SPECIFICATION:



90	33	2970
PCS/TRAY	TRAYS/CARTON	PCS/CARTON

<b>PART NO</b> KRM-S-01-8-8-0-6A5				
<b>TITLE</b>		RJ45 8P8C, W/D LED, SHIELDED		
REV : 01				
<b>UNIT</b>	<b>DRAWN</b>	<b>CHKD</b>	<b>DATE</b>	<b>SHEET</b>
mm[inch]	CINDY	DANIEL	Jan. 09, '18	2 of 3

3. PROFILE OF WAVE SOLDER :



The measuring point for the specified temperature shall be on the soldered part of the lead

PART NO		KRM-S-01-8-8-0-6A5		
TITLE	RJ45 8P8C, W/D LED, SHIELDED			
REV : 01				
UNIT	DRAWN	CHKD	DATE	SHEET
mm[inch]	CINDY	DANIEL	Jan. 09, '18	3 of 3