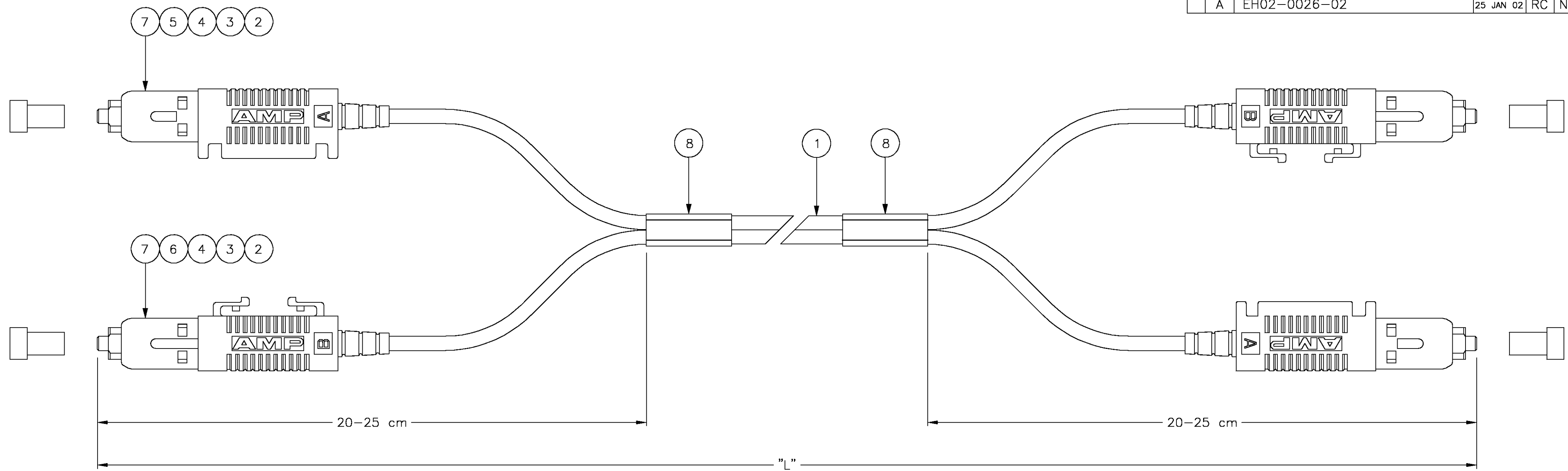


THIS DRAWING IS UNPUBLISHED. RELEASED FOR PUBLICATION
 © COPYRIGHT BY TYCO ELECTRONICS CORPORATION. ALL RIGHTS RESERVED.

LOC	DIST	REVISIONS					
LZ	-	P	LTR	DESCRIPTION	DATE	DWN	APVD
		B		FR20-0003-04	19 FEB 04	SG	PMB
		A		EH02-0026-02	25 JAN 02	RC	NS



NOTES:

- ATTENUATION $\leq 0,3$ dB, MEASURED AT 1300 nm ACC. IEC 874-1 CLAUSE 4.4.7 METHOD 7 EQUILIBRIUM MODE CONDITION
- RETURN LOSS ≥ 20 dB, MEASURED AGAINST REF. CONNECTOR
- ACTUAL ATTENUATION SUPPLIED ON TEST RESULT SHEET PER INDIVIDUALLY PACKED ASSEMBLY
- CABLE INFO:
 - FIBRE CORE: 50 μ m
 - JACKET MATERIAL: LOW SMOKE ZERO HALOGEN
 - JACKET COLOUR: GOLD METALLIC
 - OUTER DIAMETER: 2,5 x 5,0 mm

STANDARD LENGTHS ACCORDING TO CUSTOMER DRAWING 1206850	
PART NUMBER	"L" (METER)
X-1536464-Y	XY,0
9-1536464-1	1,5 -0/+0,1
9-1536464-2	2,5 -0/+0,1
9-1536464-3	3,5 -0/+0,1
9-1536464-4	4,5 -0/+0,1
9-1536464-9	9,5 -0/+0,1

2	-	CABLE LABEL	8
4	-	FERRULE DUST CAP BLACK	7
2	-	SC DUPLEX HOUSING BEAM HALF	6
2	-	SC DUPLEX HOUSING RET. PLATE HALF	5
4	-	SC CERAMIC OVERMOLDED	4
4	-	SC CRIMP EYELET	3
4	-	SC BOOT BEIGE	2
L	-	FOCAB 2,5TZ OM3 GOLDMETALLIC	1
Qty	Part Number	Description	Item

THIS DRAWING IS A CONTROLLED DOCUMENT.

DWN	SANTHOSH. G	19 FEB 04	Tyco Electronics Corporation FOBU, Bangalore, India
CHK	PITCHAI BHARATHWAJ	19 FEB 04	
APVD	PITCHAI BHARATHWAJ	19 FEB 04	
PRODUCT SPEC	NAME		
APPLICATION SPEC			FOMM50 LEAD OM3 2,5TZ SC/PC - SC/PC DPX
SIZE	CAGE CODE	DRAWING NO	RESTRICTED TO
A2	00779	C=1536464	-
CUSTOMER DRAWING			SCALE: -:- SHEET 1 OF 1 REV B

1536464