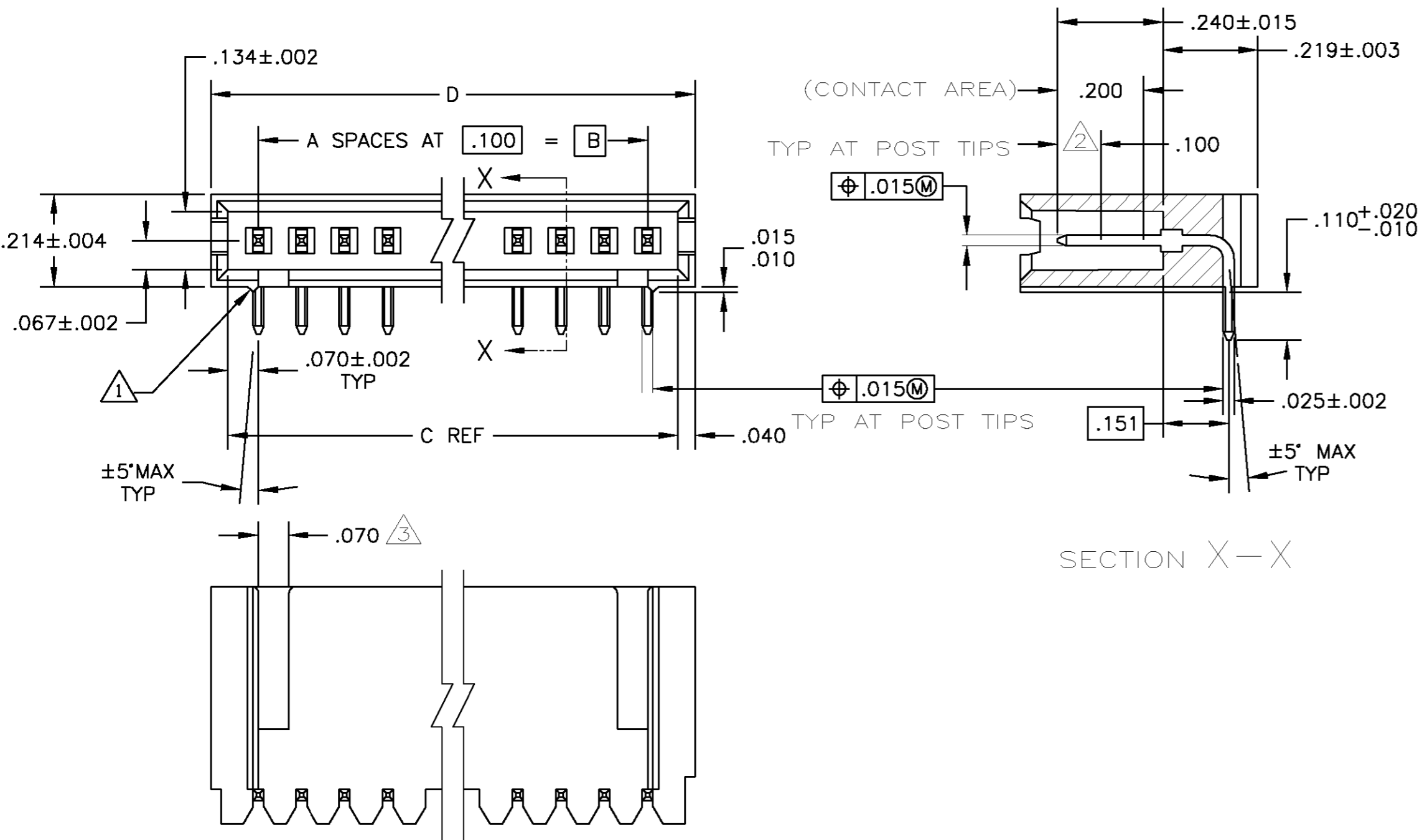
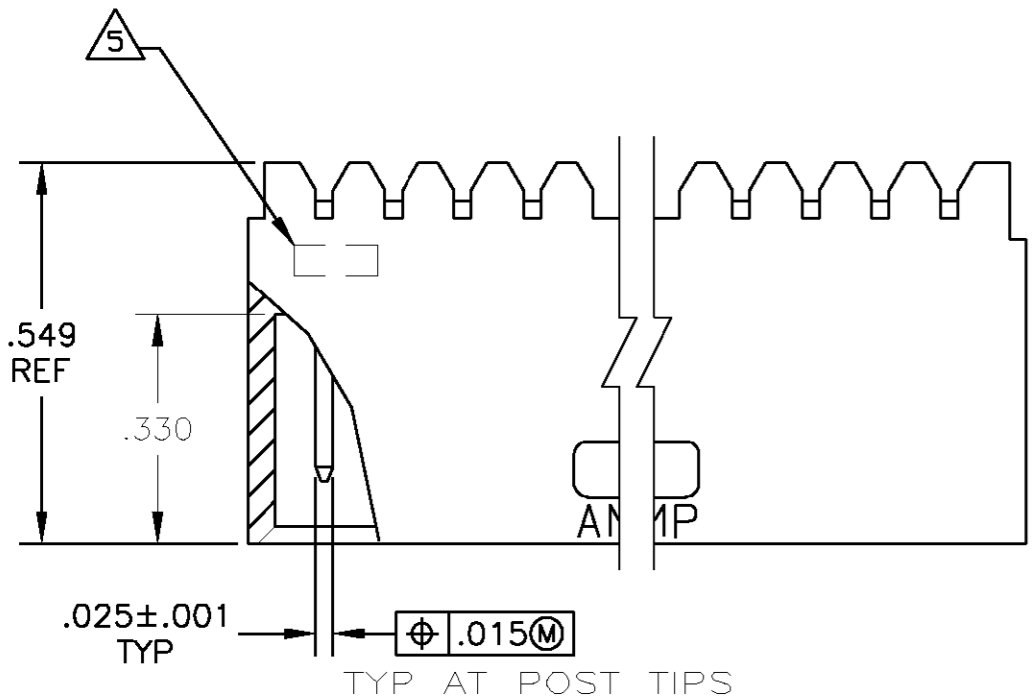
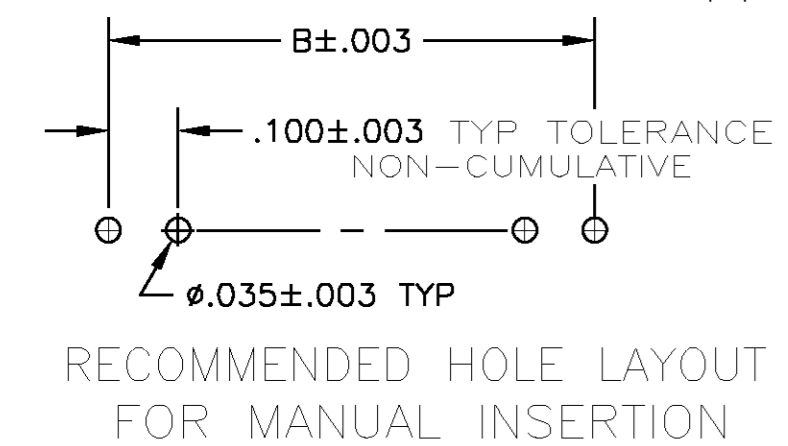


LOC		DIST		REVISIONS			
P	LTR	DESCRIPTION	DATE	DWN	APVD		
AD	39						
P	P	REV PER 0G3C-0289-00	17JUL00	BH	JG		

- 1 STANDOFFS: UP TO 9 POS-(2 REQD) ON THE OUTSIDE ENDS OF THE HOUSING
 10 TO 19 POS-(3 REQD) TWO ON THE OUTSIDE ENDS AND ONE CENTERED ON THE HOUSING
 19 POS AND LARGER-(4 REQD) TWO ON THE OUTSIDE ENDS AND TWO SPACED EVENLY WITHIN THE REMAINING LENGTH OF THE HOUSING
- 2 POINT OF MEASUREMENT FOR PLATING THICKNESS
- 3 FOR 3 POS (3--4 ONLY) ONE SLOT, .215 WIDE
- 4 INDICATED PARTS ARE PACKAGED IN "GANG-OF-TUBES" RECESSED DATE CODE
- 5
- 6 INDICATED PARTS ARE PACKAGED IN "SINGLE TUBES"



SECTION X-X



6	.820	.740	.600	6	7	3-102203-6
	1.120	1.040	.900	9	10	3-102203-5
	.420	.340	.200	2	3	3-102203-4
OBSOLETE	3.720	3.640	3.500	35	36	3-- -3
OBSOLETE	3.620	3.540	3.400	34	35	3-- -2
OBSOLETE	3.520	3.440	3.300	33	34	3-- -1
OBSOLETE	3.420	3.340	3.200	32	33	3-- -0
OBSOLETE	3.320	3.240	3.100	31	32	2-- -9
OBSOLETE	3.220	3.140	3.000	30	31	2-- -8
OBSOLETE	3.120	3.040	2.900	29	30	2-- -7
OBSOLETE	3.020	2.940	2.800	28	29	2-- -6
OBSOLETE	2.920	2.840	2.700	27	28	2-- -5
OBSOLETE	2.820	2.740	2.600	26	27	2-- -4
OBSOLETE	2.720	2.640	2.500	25	26	2-- -3
	2.620	2.540	2.400	24	25	2-- -2
	2.520	2.440	2.300	23	24	2-- -1
	2.420	2.340	2.200	22	23	2-- -0
	2.320	2.240	2.100	21	22	1-- -9
	2.220	2.140	2.000	20	21	1-- -8
	2.120	2.040	1.900	19	20	1-- -7
	2.020	1.940	1.800	18	19	1-- -6
	1.920	1.840	1.700	17	18	1-- -5
	1.820	1.740	1.600	16	17	1-- -4
	1.720	1.640	1.500	15	16	1-- -3
	1.620	1.540	1.400	14	15	1-- -2
	1.520	1.440	1.300	13	14	1-- -1
	1.420	1.340	1.200	12	13	1-- -0
	1.320	1.240	1.100	11	12	-9
	1.220	1.140	1.000	10	11	-8
	1.120	1.040	.900	9	10	-7
	1.020	.940	.800	8	9	-6
	.920	.840	.700	7	8	-5
	.820	.740	.600	6	7	-4
	.720	.640	.500	5	6	-3
	.620	.540	.400	4	5	-2
	.520	.440	.300	3	4	102203 -1
	D	C	B	A	NO OF POS	ASSEMBLY PART NUMBER

THIS DRAWING IS A CONTROLLED DOCUMENT.

DWN: D. RINGLEY 6-11-85
 CHK: -
 APVD: D. DUPLER 6-11-85

DIMENSIONS: INCHES
 TOLERANCES UNLESS OTHERWISE SPECIFIED:
 0 PLC ± -
 1 PLC ± -
 2 PLC ± -
 3 PLC ± .005
 4 PLC ± -
 ANGLES ± -

MATERIAL: RETARDANT THERMOPLASTIC, COLOR-BLACK, POSTS-PHOS BRONZE
 FINISH: CONTACT AREA, .00100-.00200 MATTE TIN-LEAD ON THE SOLDER TAIL, ALL OVER .000050 NICKEL

NAME: ASSEMBLY, MOD II, HEADER, SINGLE ROW, .100 C/L, RIGHT ANGLE, WITH .025 SQ. POST
 SIZE: A2
 CAGE CODE: 00779
 DRAWING NO: C-102203
 RESTRICTED TO: -

SCALE: 4:1
 SHEET: 1 OF 1
 REV: P