

4

3

2

1

THIS DRAWING IS UNPUBLISHED.

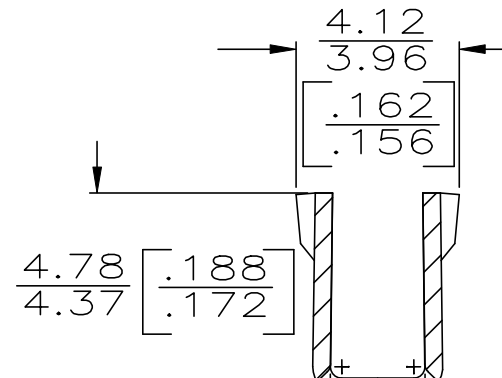
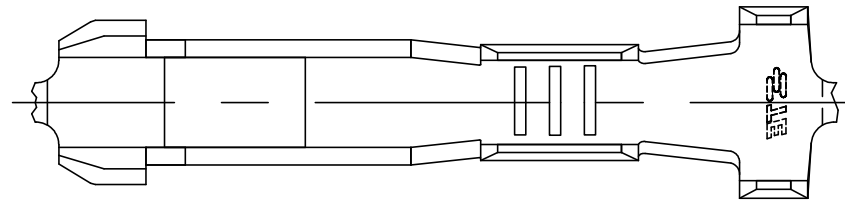
RELEASED FOR PUBLICATION

ALL RIGHTS RESERVED.

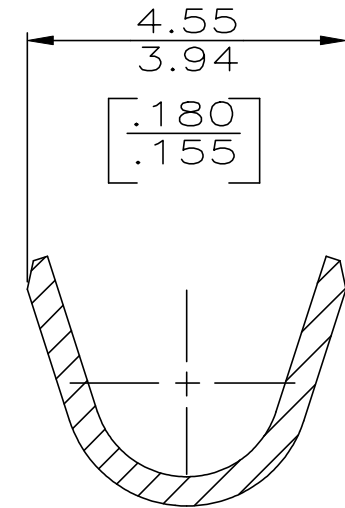
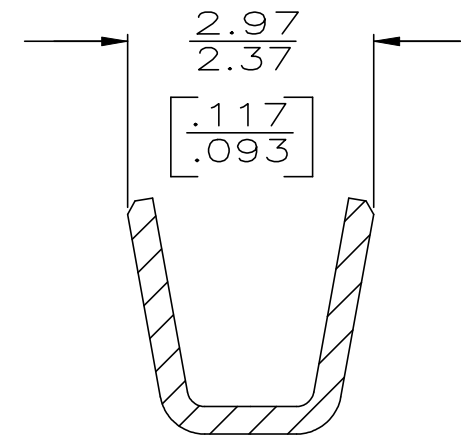
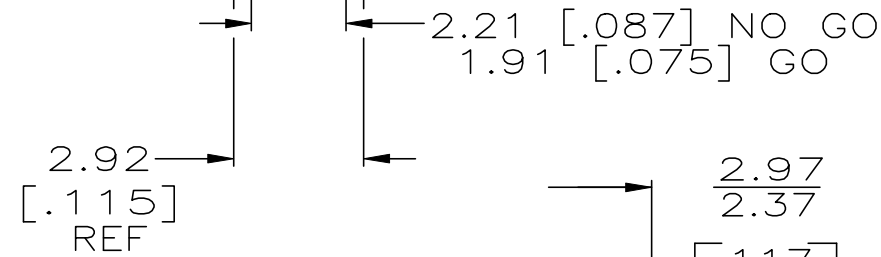
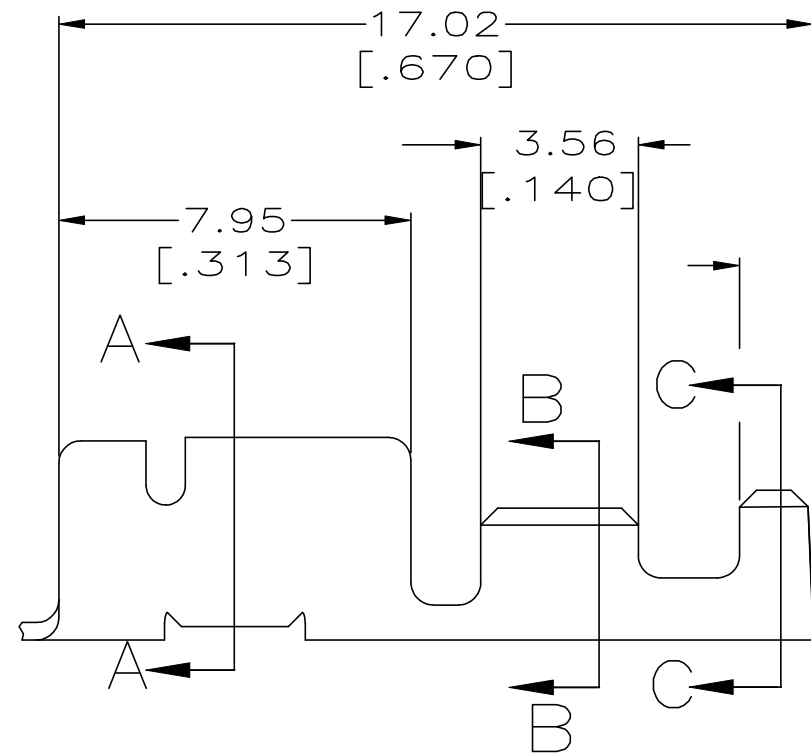
© COPYRIGHT - By -

REVISIONS

P	LTR	DESCRIPTION	DATE	DWN	APVD
A		RELEASE TO PRODUCTION	01OCT2019	MDP	PKS



- 1 CONTINUOUS STRIP ON REEL.
- 2 WIRE SIZE IS 20-18 AWG
- 3 INSULATION RANGE IS 1.30-2.40
[.051-.094] DIA.
- 4 RECOMMENDED HOUSING PART NUMBERS
235280-1, -4, -5
284406-1, -3



SECTION B-B
SCALE 10:1

SECTION C-C
SCALE 10:1

T3 PHOS BRONZE	TIN	2825629-1
MATERIAL	FINISH	PART NO

THIS DRAWING IS A CONTROLLED DOCUMENT.

DIMENSIONS: INCHES	TOLERANCES UNLESS OTHERWISE SPECIFIED:
	0 PLC ± -
	1 PLC ± -
	2 PLC ± 0.25 [.010]
	3 PLC ± -
	4 PLC ± -
ANGLES ± -	

MATERIAL SEE TABLE	FINISH SEE TABLE
-----------------------	---------------------

DWN DEEPAN 01OCT2019		NAME RECEPTACLE, CLUSTER PIN, 2.29 [.090] DIA -		
CHK DEEPAN 01OCT2019				
APVD SENTHIL 01OCT2019				
PRODUCT SPEC 108-2008				
APPLICATION SPEC 114-2019	SIZE A3	CAGE CODE -	DRAWING NO C=2825629	RESTRICTED TO -

WEIGHT -	CUSTOMER DRAWING	SCALE 6:1	SHEET 1 OF 1	REV A
-------------	------------------	--------------	-----------------	----------