

776464-2 ✓ ACTIVE

AMP | AMPSEAL

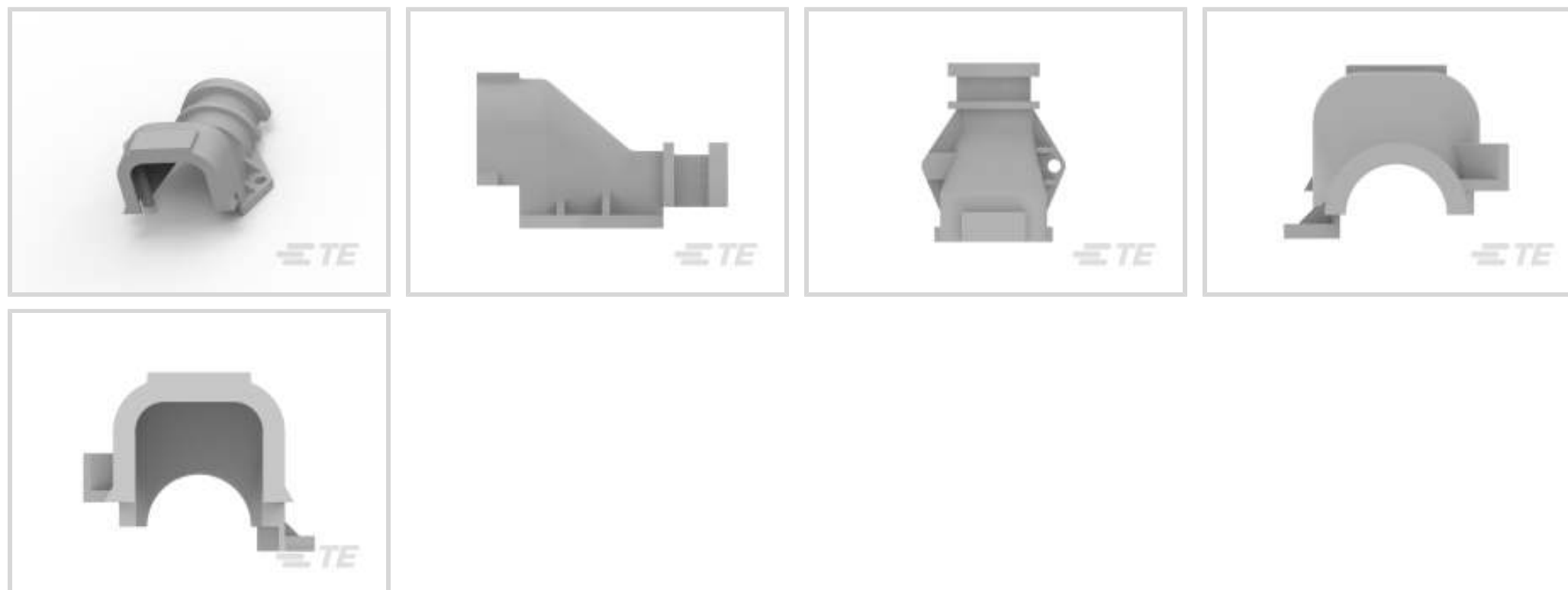
TE Internal #: 776464-2

Automotive Connector Caps & Covers, Wire Dress Cover, Cable Exit Angle 180°, Gray, PBT GF, 23 Position, -40 – 257 °F [-40 – 125 °C], AMPSEAL

[View on TE.com >](#)



[Connectors](#) > [Automotive Connectors](#) > [Automotive Connector Accessories](#) > [Automotive Connector Caps & Covers](#) > [AMPSEAL Backshells](#)



Protection & Strain Relief Accessory Type: **Wire Dress Cover**

Cable Exit Angle: **180°**

Primary Product Color: **Gray**

Primary Product Material: **PBT GF**

Number of Positions: **23**

[All AMPSEAL Backshells \(5\)](#)

Features

Product Type Features

Protection & Strain Relief Accessory Type	Wire Dress Cover
---	------------------

Configuration Features

Number of Positions	23
---------------------	----

Body Features

Cable Exit Angle	180°
Primary Product Color	Gray
Primary Product Material	PBT GF

Usage Conditions

Operating Temperature (Max)	125 °C[257 °F]
Operating Temperature Range	-40 – 125 °C[-40 – 257 °F]

Product Compliance

[For compliance documentation, visit the product page on TE.com>](#)

EU RoHS Directive 2011/65/EU	Compliant
EU ELV Directive 2000/53/EC	Compliant
China RoHS 2 Directive MIIT Order No 32, 2016	No Restricted Materials Above Threshold
EU REACH Regulation (EC) No. 1907/2006	Current ECHA Candidate List: JUNE 2023 (235) Candidate List Declared Against: JUNE 2022 (224) Does not contain REACH SVHC
Halogen Content	Not Low Halogen - contains Br or Cl > 900 ppm.
Solder Process Capability	Not reviewed for solder process capability

Product Compliance Disclaimer

This information is provided based on reasonable inquiry of our suppliers and represents our current actual knowledge based on the information they provided. This information is subject to change. The part numbers that TE has identified as EU RoHS compliant have a maximum concentration of 0.1% by weight in homogenous materials for lead, hexavalent chromium, mercury, PBB, PBDE, DBP, BBP, DEHP, DIBP, and 0.01% for cadmium, or qualify for an exemption to these limits as defined in the Annexes of Directive 2011/65/EU (RoHS2). Finished electrical and electronic equipment products will be CE marked as required by Directive 2011/65/EU. Components may not be CE marked. Additionally, the part numbers that TE has identified as EU ELV compliant have a maximum concentration of 0.1% by weight in homogenous materials for lead, hexavalent chromium, and mercury, and 0.01% for cadmium, or qualify for an exemption to these limits as defined in the Annexes of Directive 2000/53/EC (ELV). Regarding the REACH Regulation, the information TE provides on SVHC in articles for this part number is based on the latest European Chemicals Agency (ECHA) 'Guidance on requirements for substances in articles' posted at this URL: <https://echa.europa.eu/guidance-documents/guidance-on-reach>

Compatible Parts



Also in the Series | **AMPSEAL**



Automotive Connector Caps & Covers (5)



Automotive Connector Locks & Position Assurance(1)



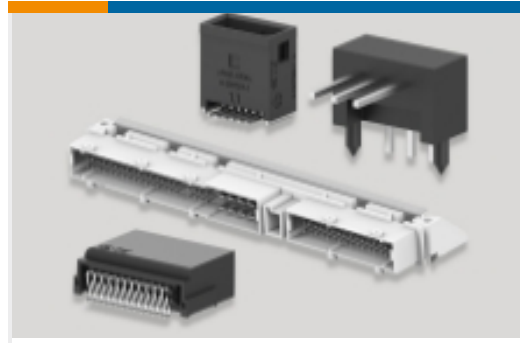
Automotive Housings(31)



Automotive Terminals(8)



Connector Seals & Cavity Plugs(1)



PCB Headers & Receptacles(116)

Customers Also Bought



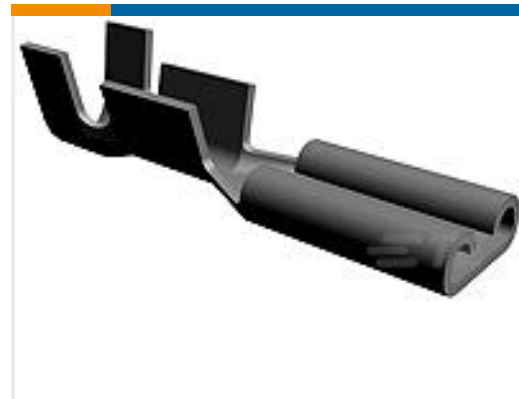
TE Part #5747301-8
37 RCPT SP/FMS INSRT



TE Part #K2015512
Toggle Switch 07-1-1-10



TE Part #2138530-1
AMPSEAL Backshells



TE Part #61454-1
WRAP TYPE TAB RECEPTACLE 24-20 AWG TPBR



TE Part #K1041530
Switch guard 08-0-0-01 905



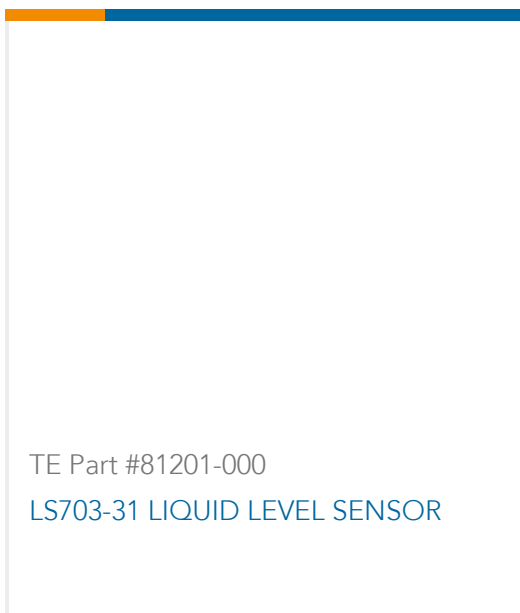
TE Part #2013310-1
SEMI-HARD TRAY DDR3 204P 9.2H



TE Part #7-1618391-4
LEV200ABNAA=RELAY, SPST-NO



TE Part #ASA015N00410235000
623 PLUG



TE Part #81201-000
LS703-31 LIQUID LEVEL SENSOR

Documents



Product Drawings

STRAIN RELIEF,23 POSITION AMPSEAL

English

CAD Files

3D PDF

3D

Customer View Model

[ENG_CVM_CVM_776464-2_D.2d_dxf.zip](#)

English

Customer View Model

[ENG_CVM_CVM_776464-2_D.3d_igs.zip](#)

English

Customer View Model

[ENG_CVM_CVM_776464-2_D.3d_stp.zip](#)

English

By downloading the CAD file I accept and agree to the [Terms and Conditions](#) of use.

Datasheets & Catalog Pages

AMPSEAL Connector Catalog

English

ICT Terminals and Connectors Catalogue

English

Product Specifications

Application Specification

English