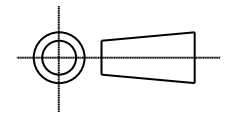


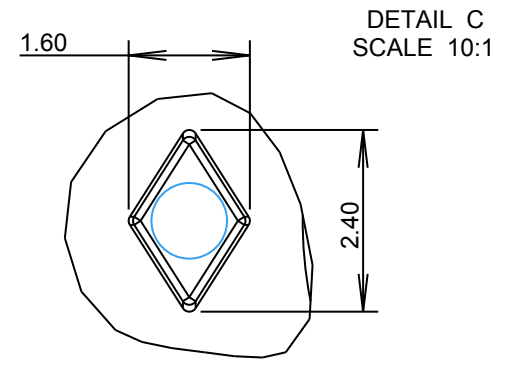
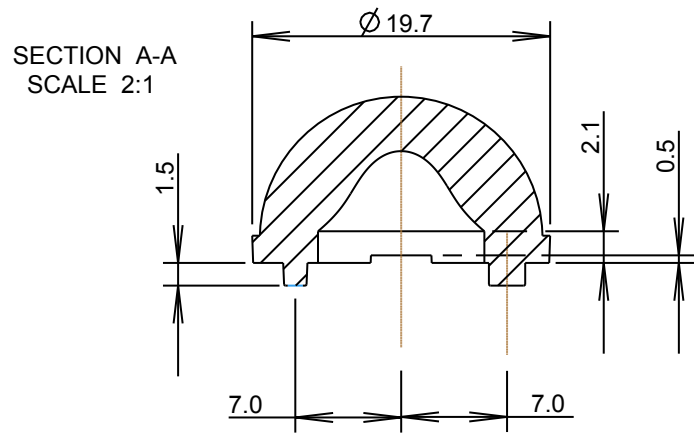
ISS.	DATE	E.C.N.	DESCRIPTION
1	24-Feb-09		FIRST ISSUE

© 2006 CARCLO
ALL DIMENSIONS IN mm



CARCLO TECHNICAL PLASTICS (SLOUGH)
111 BUCKINGHAM AVE, SLOUGH
SL1 4PF, ENGLAND
TEL: +44 1753 575011 FAX: +44 1753 811359
e-mail: design@carclo-optics.com}

CUSTOMER DRAWING



GENERAL TOLERANCES (UNLESS STATED)

LINEAR	ANGULAR
X +/- 0.25	X +/- 1°
X.X +/- 0.1	X.X +/- 0.5°
X.XX +/- 0.05	X.XX +/- 0.1°

CUSTOMER
CARCLO

TITLE
125 DEGREE LED BUBBLE OPTIC
FOR GOLDEN DRAGON PLUS

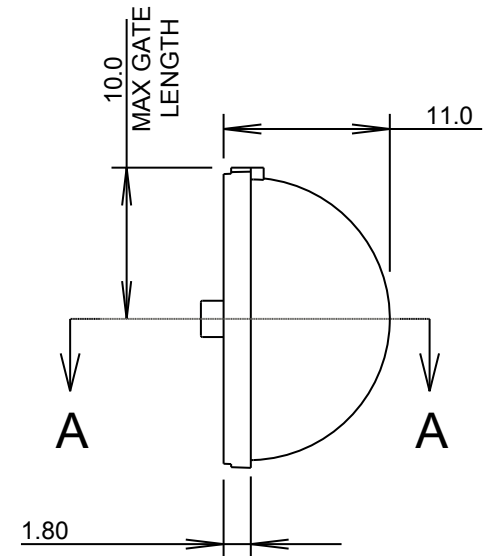
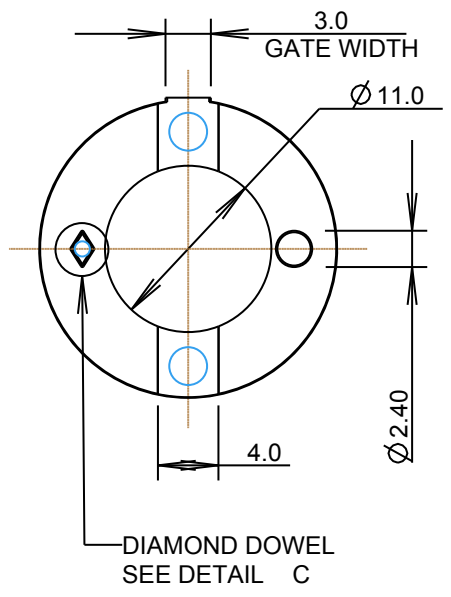
DRAWN
AJD
DATE
24-Feb-09

CHK'D
DATE

APP'D
DATE

SCALE
2:1
CARCLO PART No.
10627

SIZE
A4
CARCLO DRG. No.
60585
SHEET
1 OF 2



MATERIAL: POLYCARBONATE



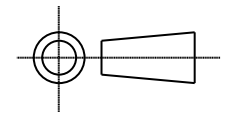
1
2
3
4
5

1
2
3
4
5

A B C D E F G

ISS.	DATE	E.C.N.	DESCRIPTION
1	24-Feb-09		FIRST ISSUE

© 2006 CARCLO
ALL DIMENSIONS IN mm



CARCLO TECHNICAL PLASTICS (SLOUGH)
111 BUCKINGHAM AVE, SLOUGH
SL1 4PF, ENGLAND
TEL: +44 1753 575011 FAX: +44 1753 811359
e-mail: design@carclo-optics.com}

PCB GLUE PAD AND ALIGNMENT HOLE
LAYOUT DIMENSIONS

GENERAL TOLERANCES (UNLESS STATED)

LINEAR	ANGULAR
X +/- 0.25	X +/- 1°
X.X +/- 0.1	X.X +/- 0.5°
X.XX +/- 0.05	X.XX +/- 0.1°

CUSTOMER
CARCLO

TITLE
125 DEGREE LED BUBBLE OPTIC
FOR GOLDEN DRAGON PLUS

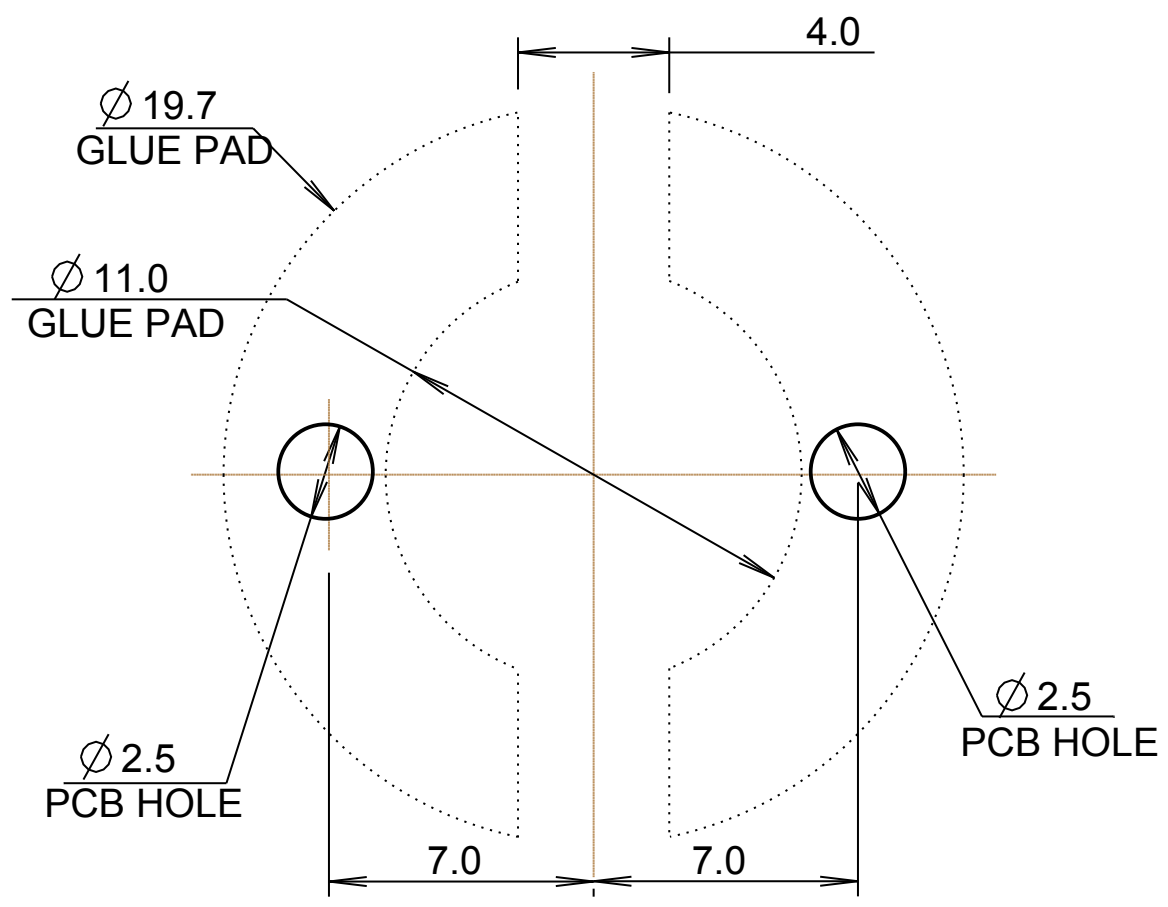
DRAWN AJD DATE 24-Feb-09

CHK'D DATE

APP'D DATE

SCALE 5:1 CARCLO PART No. 10627

SIZE A4 CARCLO DRG. No. 60585 SHEET 2 OF 2



NOTE: THE CLOSEST THAT TWO OR MORE LENSES CAN BE PLACED TOGETHER WITHOUT OBSCURATION IS 27MM BETWEEN CENTRES.