

ADS61xx and ADS61B23EVM

User's Guide



Literature Number: SLAU206B
September 2007–Revised April 2008

| | | |
|----------|--|-----------|
| 1 | Overview | 5 |
| 1.1 | ADS61xx/ADS61B23 EVM Quick-Start Procedure | 5 |
| 2 | Circuit Description | 6 |
| 2.1 | Schematic Diagram | 6 |
| 2.2 | ADC Circuit Function | 6 |
| 3 | TI ADC SPI Control Interface | 10 |
| 3.1 | Installing the ADC SPI Control Software | 10 |
| 3.2 | Setting Up the EVM for ADC SPI Control | 11 |
| 3.3 | Using the TI ADC SPI Interface Software | 11 |
| 4 | Connecting to FPGA Platforms | 13 |
| 4.1 | TSW1100 | 13 |
| 4.2 | TSW1200 | 13 |
| 5 | ADC Evaluation | 14 |
| 5.1 | Hardware Selection | 14 |
| 5.2 | Coherent Input Frequency Selection..... | 15 |
| 6 | Physical Description | 16 |
| 6.1 | PCB Layout..... | 16 |
| 6.2 | Bill of Materials..... | 21 |
| 6.3 | EVM Schematics | 23 |
| | Important Notices | 29 |

List of Figures

| | | |
|----|--|----|
| 1 | TI ADC SPC Interface Screen | 10 |
| 2 | Top Silkscreen | 16 |
| 3 | Component Side..... | 17 |
| 4 | Ground Plane 1 | 18 |
| 5 | Power Plane 1 | 19 |
| 6 | Bottom Side | 20 |
| 7 | EVM Schematic, Sheet 1..... | 23 |
| 8 | EVM Schematic, Sheet 2..... | 24 |
| 9 | EVM Schematic, Sheet 3..... | 25 |
| 10 | EVM Schematic, Sheet 4..... | 26 |
| 11 | EVM Schematic, Sheet 5..... | 27 |
| 12 | Breakout Board Schematic, Sheet 6..... | 28 |

List of Tables

| | | |
|---|--|----|
| 1 | Breakout Board Pin Assignments..... | 8 |
| 2 | Jumpers | 9 |
| 3 | Surface-Mount Jumpers | 9 |
| 4 | ADS61xx Frequently Used Registers..... | 12 |
| 5 | Bill of Materials | 21 |

1 Overview

This user's guide gives a general overview of the evaluation module (EVM) and provides a general description of the features and functions to be considered while using this module. This manual is applicable to the ADS6122, ADS6123, ADS6124, ADS6125, ADS6142, ADS6143, ADS6144, ADS6145, and ADS61B23, which collectively are referred to as ADS61xx and ADS61B23. The ADS61xx/ADS61B23 EVM provides a platform for evaluating the low-power, single-channel ADS61xx/ADS61B23 12- and 14-bit analog-to-digital converters (ADC), and the ADS61B23 12-bit ADC with buffered analog input under various signal, reference, and supply conditions.

This document should be used in combination with the respective ADC data sheet.

1.1 ADS61xx/ADS61B23 EVM Quick-Start Procedure

Using the quick-start procedure, many users can begin evaluating the ADC in a short time. The quick-start procedure uses the default conditions of the EVM as shipped from the factory. In addition, the quick-start guide configures the ADC in a CMOS offset binary data format. Users who have modified the board may find the quick-start procedure to be ineffective.

1. Supply 3.3 V to J11 while connecting the return to a shorted J11 and J14. Power on the device.
2. Confirm jumper J6 is shorted 1–2 and jumpers J2, J3, and J7 have positions 2–3 shorted.
3. Use the silkscreen to confirm jumper J1 is set to Offset Binary, CMOS output.
4. Use the silkscreen to confirm jumper J4 is set to 0dB Gain, Int Ref.
5. Supply a –1-dBFS filtered, low-phase-noise, 10-MHz CW tone into J8.
6. Supply a filtered, low-phase-noise clock to J9.
7. Use the accompanying breakout board and monitor the digital output (see [Table 1](#)).

2 Circuit Description

2.1 Schematic Diagram

The schematic diagram for the EVM is in [Section 6.3](#).

2.2 ADC Circuit Function

The following sections describe the function of individual circuits. See the relevant data sheet for device operating characteristics.

2.2.1 ADC Operational Mode

By default, the ADC is configured to operate in parallel-mode operation, because jumper (J3) asserts a 3.3-V state to the ADC reset pin. Consequently, the SW1 reset pushbutton must be pressed only when the device is configured in serial operation mode. Because the ADC is in parallel operation mode, voltages are used to set the ADC configuration modes. Users can use the EVM silkscreen to set the operation modes.

2.2.2 EVM Power Connections

Power is supplied to the EVM by banana jack sockets. Separate connections are provided for a 3.3-V digital buffer supply (J11) and 3.3-V analog supply (J13); however, by default these are shorted together using R65, a 0- Ω resistor. Consequently, users can supply power to either J11 or J13 to power the ADC. The separate connections allow users to separate analog and digital supplies by removing R65. When using the amplifier evaluation path, connect the positive rail to J20 and the negative rail to J16. The voltages depend on the coupling method and connection to the ADC. If the ADC VCM is not supplied to the amplifier and the amplifier is connected to the ADC in a dc-coupled fashion, set J20 to 4 V and J16 to -1 V. In ac-coupled configurations where the ADC VCM biases the ADC inputs, connect J20 to 5 V and J16 to GND. The ADC SPI interface and [CDCP1803](#) also are powered through J20, which should be set to 5 V for operation of those circuits.

2.2.3 ADC Analog Inputs

The EVM is configured to accept a single-ended input source and convert it to an ac-coupled differential signal using a transformer. The inputs to the ADC must be dc-biased, which is accomplished by using the ADC VCM output. The input is provided by the SMA connector J8.

Using SMA input J10, users can evaluate the ADC using a [THS4509](#) amplifier, which converts a single-ended input into a differential signal while providing 10 dB of signal gain. Users should enable the amplifier path by connecting JP7 1–2 and by shorting positions 2–3 on both surface-mount jumpers JP5 and JP6. At low input frequencies, the ADC represents a high-input impedance and R38, R46, and C76 form a low-pass filter with a 3-dB cutoff frequency of 70 MHz. Users can change these component values depending on the bandwidth of the signal they are digitizing to band-limit the input noise into the ADC. Using an excessively high cutoff frequency degrades the SNR of the system. Before beginning evaluation of the amplifier path, a user must choose whether to dc-couple or ac-couple the amplifier path.

In a dc-coupled system, replace C75 and C77 with 0- Ω resistors and remove R37 and R45. Use the ADC VCM to set the CM input of the amplifier by ensuring that R21 is populated with a 0- Ω resistor. Because the ADC has a common-mode voltage of 1.5 V and because the THS4509 is not a rail-to-rail amplifier, adjust VCC to 4 V and -VCC to -1 V, which can be done by applying the respective voltages to J20 and J16.

For an ac-coupled system, use the voltage divider R37 and R45 to set the common-mode input of the amplifier, which should be set to the midpoint of the amplifier supply. Alternatively, users can leave R37 and R45 unpopulated and the amplifier sets its own common voltage to $(VCC - VEE)/2$. Capacitors C75 and C77 provide ac-coupling of the system, and the ADC inputs then can be biased by the R41 and R42 combination. Another ac-coupled approach, not supported on this EVM, is to use a transformer at the outputs of the THS4509. In this case, the transformer provides for ac-coupling, and the inputs of the ADC can be biased by feeding the ADC VCM to the transformer center tap on the secondary.

Note that the THS4509 used on this EVM is pinout compatible with the [THS4508](#), [THS4511](#), [THS4513](#), and [THS4520](#). Users can easily interchange the amplifier on this EVM and pick the appropriate amplifier based on common-mode range, power supplies, and frequency of operation. Contact your local Texas Instruments (TI) sales representative for assistance in selection of these amplifiers.

2.2.4 ADC Clock Input

Connect a filtered, low-phase-noise clock input to J9. A transformer, T3, provides the conversion from a single-ended clock signal into a differential clock signal.

The EVM also provides a clock distribution path using the CDCP1803. The CDCP1803 provides for a 1:3 LVDS fanout helpful when clocking multiple ADCs from the same clocking source. Users selecting this input path should use a low-jitter square-wave input. In addition, the CDCP1803 jitter performance makes this a valid clocking solution only for input frequencies in the first Nyquist zone, as jitter degrades SNR for frequencies much above the first Nyquist zone. To use this path, change jumper JP8 to short 1–2, and JP2, JP3, and JP4 to short pins 2–3.

2.2.5 ADC Digital Outputs

The ADS61xx/ADS61B23 ADC parallel digital outputs are brought to J10, a high-density Samtec™ connector. Several options are available in processing the ADC data.

1. The mating logic analyzer breakout board can capture the ADC data using a logic analyzer. Users who choose this option should use the companion breakout board and [Table 1](#) for the connection details. Users lacking access to a logic analyzer can use the TSW1100 to capture the digital data. See the connection guidelines in [Section 4.1](#).
2. Users can create their own digital interface board which directly interfaces to the ADC. In this case, they design their mating digital interface board with the Samtec part number QSO-060-01-F-D-A, which is the companion part number to the EVM connector.

Table 1. Breakout Board Pin Assignments

| J4 PIN | ADS6122/23/B23/24/25 DESCRIPTION | ADS6142/43/44/45 DESCRIPTION |
|--------|-------------------------------------|------------------------------|
| 1 | GND | GND |
| 2 | CLK | CLK |
| 3 | GND | GND |
| 4 | NC | NC |
| 5 | GND | GND |
| 6 | NC | Data bit 0 (LSB) |
| 7 | GND | GND |
| 8 | NC | Data bit 1 |
| 9 | GND | GND |
| 10 | Data bit 0 (LSB) | Data bit 2 |
| 11 | GND | GND |
| 12 | Data bit 1 | Data bit 3 |
| 13 | GND | GND |
| 14 | Data bit 2 | Data bit 4 |
| 15 | GND | GND |
| 16 | Data bit 3 | Data bit 5 |
| 17 | GND | GND |
| 18 | Data bit 4 | Data bit 6 |
| 19 | GND | GND |
| 20 | Data bit 5 | Data bit 7 |
| 21 | GND | GND |
| 22 | Data bit 6 | Data bit 8 |
| 23 | GND | GND |
| 24 | Data bit 7 | Data bit 9 |
| 25 | GND | GND |
| 26 | Data bit 8 | Data bit 10 |
| 27 | GND | GND |
| 28 | Data bit 9 | Data bit 11 |
| 29 | GND | GND |
| 30 | Data bit 10 | Data bit 12 |
| 31 | GND | GND |
| 32 | Data bit 11 (MSB) | Data bit 13 (MSB) |
| 33 | GND | GND |
| 34 | NC | NC |
| 35 | GND | GND |
| 36 | NC | NC |
| 37 | GND | GND |
| 38 | NC | NC |
| 39 | GND | GND |
| 40 | NC | NC |

2.2.6 Jumper Selections

The EVM features several jumpers whose functions are described in [Table 2](#). The EVM also features surface-mount jumpers in cases where either the signal integrity is important or the functions are rarely used. [Table 3](#) summarizes these options.

Table 2. Jumpers

| Description | Reference Designator | Default Selection | Optional Selection |
|--------------------------------------|----------------------|----------------------------------|-----------------------------------|
| Parallel mode: SEN pin voltage bias | J1 | 5–6, Offset binary, CMOS output | Multiple choices |
| SEN control | J2 | 2–3, EVM controlled | 1–2, USB or FPGA controlled |
| ADC control mode | J3 | 2–3, Parallel mode | 1–2, serial mode |
| Parallel mode: SCLK pin voltage bias | J4 | 1–2, 0-dB Gain, Int Ref | Multiple choices |
| ADS61xx/ADS61B23 power down | J5 | 1–2, ADS61xx/ADS61B23 powered on | 2–3, ADS61xx/ADS61B23 powered off |
| SDATA control | J6 | 1–2, USB or FPGA controlled | 2–3, EVM controlled |
| SCLK control | J7 | 2–3, EVM controlled | 2–3, USB or FPGA controlled |

Table 3. Surface-Mount Jumpers

| Description | Reference Designator | Default Selection | Optional Selection |
|----------------------------|----------------------|-------------------------------------|--------------------------|
| | JP1 | Probe point for CDCP1803 output | |
| Clock input path selection | JP2 | 1–2, transformer coupled path | 2–3, CDCP1803 path |
| Clock input path selection | JP3 | 1–2, transformer coupled path | 2–3, CDCP1803 path |
| Clock input path selection | JP4 | 1–2, transformer coupled path | 2–3, CDCP1803 path |
| Analog input path | JP5 | 1–2, transformer coupled input path | 2–3, THS4509 path |
| Analog input path | JP6 | 1–2, transformer coupled input path | 2–3, THS4509 path |
| THS4509 power down | JP7 | 2–3, THS4509 powered down | 1–2, THS4509 powered on |
| CDCP1803 power down | JP8 | 2–3, CDCP1803 powered down | 1–2, CDCP1803 powered on |

3 TI ADC SPI Control Interface

This section describes the software features accompanying the EVM kit. The TI ADC SPI control software provides full control of the SPI interface, allowing users to write to any of the ADC registers found in the ADC data sheet. For most ADS61xx/ADS61B23 performance evaluations, users do not need to use the TI SPI control software to get evaluation results. Users only need to use the ADC SPI control software when the desired feature is inaccessible because the ADC is in parallel interface mode.

3.1 Installing the ADC SPI Control Software

The ADC SPI control software can be installed on a personal computer by running the setup.exe file located on the CD. This file installs the graphical user interface (GUI) along with the USB drivers needed to communicate to the USB port that resides on the EVM. After the software is installed and the USB cable has been plugged in for the first time, the user is prompted to complete the installation of the USB drivers. When prompted, users should allow the Windows® operating system to search for device drivers, and it should automatically find the TI ADC SPI interface drivers. See [Figure 1](#).

Note: Before plugging in the USB cable for the first time, install the TI ADC SPI software. The software installs the drivers necessary for USB communication.

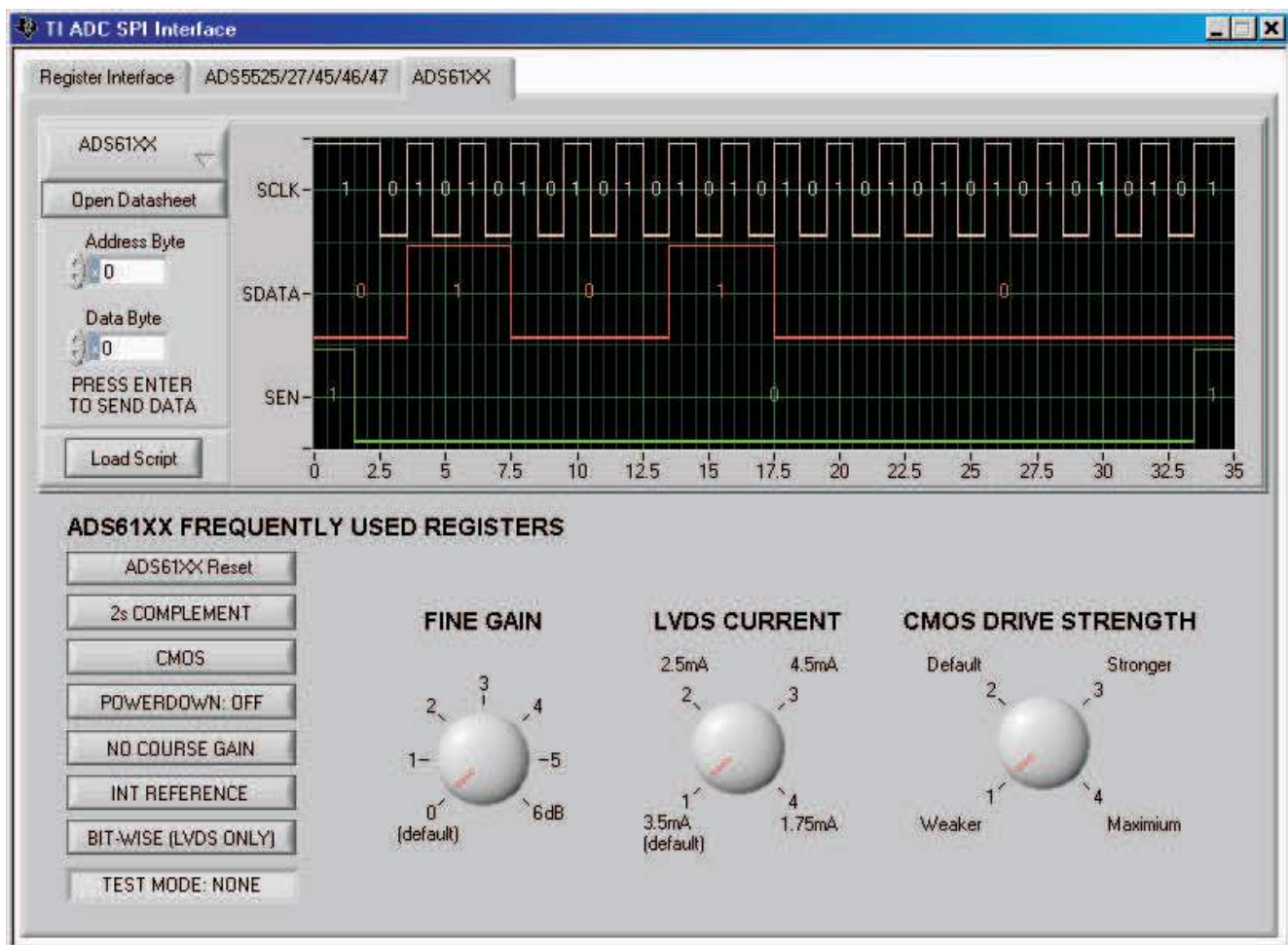


Figure 1. TI ADC SPC Interface Screen

3.2 Setting Up the EVM for ADC SPI Control

Users who wish to use the ADC SPI interface must supply 5 VDC to J20, which provides power to the USB circuit. By default, the EVM comes with the ADC configured in parallel mode. In order to use the SPI interface to control the ADC modes of operation, users must move several jumpers.

- Move jumper J3 to short positions 1–2, which places the ADC into serial operation mode.
- Move jumper J7 to short positions 1–2, which allows the USB circuit to control SCLK.
- Move jumper J6 to short positions 1–2, which allows the USB circuit to control SDATA.
- Move jumper J2 to short positions 1–2, which allows the USB circuit to control SEN.

3.3 Using the TI ADC SPI Interface Software

Once the software is installed and the USB cable is connected, three primary modes of operating the software are available: SPI Register Writes, SPI Register Write Using a Script File, and ADS61xx/ADS61B23 Frequently Used Registers.

3.3.1 SPI Register Writes

The most basic mode of operation allows full control of writing to individual register addresses. In the top left corner of the interface screen ([Figure 1](#)), select the ADS61xx ADC from the ADC SPI Protocol drop-down list. Next, type the Address Byte(s) in hexadecimal (hex) and Data Byte(s) in hex, which can be found in the device data sheet. When you are ready to send this command to the ADC, press "Enter" on your keyboard. The graph indicator is updated with the patterns sent to the ADC. The default inputs to both the Address Byte(s) and Data Byte(s) fields are hex inputs as designated by the small *x* in the control. Users can change the default input style by clicking on the "x" to binary, decimal, octal, or hex. Multiple register writes can be written simply by changing the contents of the Address Byte(s) and Data Byte(s) field and pressing Enter again.

3.3.2 SPI Register Write Using a Script File

For situations where the same multiple registers must be written on a frequent basis, users can easily use a text editor to create a script file containing all ADC register writes. An example script file is located in the \\Install Directory\\Script Files\\ADS6145_LVDS_CourseGain.txt. Users who wish to take advantage of writing their own script files should start by using the ADS6145_LVDS_CourseGain.txt as a template file. When ready to write the contents of the script file to the ADC, users can press the Load Script button and they will be prompted for the file location of their script file. The commands are sent to the ADC when the user acknowledges the selection of the file.

3.3.2.1 ADS61xx Frequently Used Registers

For ease of use, several buttons have been added that allow one-click register writes of commonly used features found in [Table 4](#). These are found in the ADS61xx tab, as these commands are specific to the ADS61xx ADC only. The software writes to the ADC both the contents of the associated address and data when the button is clicked. When the ADS61xx Reset button is pressed, it issues a software reset to the ADC, and it resets the button values to match the contents inside of the ADC. The graph indicator plots the SPI commands written to the ADC when a button has been depressed.

Table 4. ADS61xx Frequently Used Registers

| Default Value | Alternate Value |
|----------------------|------------------------|
| ADS61xx Reset | |
| 2s Complement | Straight Binary |
| CMOS | DDR LVDS |
| Powerdown: OFF | Powerdown On |
| No Course Gain | 3.5-dB Course Gain |
| INT Reference | EXT Reference |
| Bit-Wise (LVDS Only) | Byte-Wise |
| Test Mode: None | Multiple Options |

4 Connecting to FPGA Platforms

The ADS61xx/ADS61B23 EVM provides several connection options to mate the EVM to various FPGA development platforms and FPGA-based capture boards.

4.1 TSW1100

Using the accompanying CMOS breakout board, users can easily mate TI's [TSW1100](#) capture board to the ADS61xx/ADS61B23 EVM. Simply connect the breakout board to the J2 (Channel 2) connector on the TSW1100. From an orientation standpoint, the Xilinx™ FPGA faces the ADC when correctly configured.

Before using the TSW1100 to capture ADC data for the first time, users should update the TSW1100 Supported_ADCs.txt file. They should explore the accompanying ADS61xx/ADS61B23 software CD and replace the installed TSW1100 Supported_ADC.txt file with the one found on the CD; this file adds TSW1100 support for both the ADS612x and ADS614x.

Finally, users should ensure that the ADC61xxEVM is configured in CMOS output mode. In addition, the TSW1100 represents a load greater than 5 pF and as such, users should consider boosting the CMOS drive strength by using the TI SPI Control software. In many cases, the boosting of the drive strength is not required to perform valid data captures when using the TSW1100; this is an optional step.

4.2 TSW1200

The ADS61xx/ADS61B23 natively plugs into the TSW1200 FPGA platform. In most circumstances, the TSW1200 functions as a deserializer. However, the Virtex™-4 FPGA can be reprogrammed to allow the ultimate in flexible solution prototyping. For users wishing to apply FPGA control over the ADS61xx/ADS61B23 SPI interface, move the surface-mount jumpers into the following positions.

- Move the jumper on J2 (SEN) to the 1–2 position, and remove R7 and populate R62 with a 0-Ω resistor.
- Move the jumper on J7 (SCLK) to the 1–2 position, and remove R20 while installing the 0-Ω resistor to R63.
- Move the jumper on J6 (SDATA) to the 1–2 position, and remove R19 while installing the 0-Ω resistor to R64.
- Remove R18.
- Move the jumper on J3 to position 1–2 to configure the ADC into the SPI operation mode (serial interface mode).

5 ADC Evaluation

This section describes how to set up a typical ADC evaluation system that is similar to what TI uses to perform testing for data-sheet generation. Consequently, the information in this section is generic in nature and is applicable to all high-speed, high-resolution ADC evaluations. This section covers signal tone analysis, which yields ADC data-sheet figures of merit such as signal-to-noise ratio (SNR) and spurious free dynamic range (SFDR).

5.1 Hardware Selection

To reveal the true performance of the ADC under evaluation, great care should be taken in selecting both the ADC signal source and ADC clocking source.

5.1.1 Analog Input Signal Generator

When choosing the quality of the ADC analog input source, consider both harmonic distortion performance of the signal generator and the noise performance of the source.

In many cases, the harmonic distortion performance of the signal generator is inferior to that of the ADC, and additional filtering is needed if users expect to reproduce the ADC SFDR numbers found in the data sheet. Users can easily evaluate the harmonic distortion of the signal generator by hooking it directly to a spectrum analyzer, measuring the power of the output signal, and comparing that to the power of the integer multiples of the output signal frequency. If the harmonic distortion is worse than the ADC under evaluation, the ADC digitizes the performance of the signal generator and the true SFDR of the ADC is masked. To alleviate this, it is recommended that users provide additional LC filtering after the signal generator output.

Another important metric when deciding on a signal generator is its noise performance. As with the distortion performance, if the noise performance is worse than that of the ADC under evaluation, the ADC digitizes the performance of the source. Noise can be broken into two components, broadband noise and close-in phase noise. Broadband noise can be improved by the LC filter added to improve distortion performance; however, the close-in phase noise typically cannot be improved by additional filtering. Therefore, when selecting an analog signal source, it is important to review the manufacturer's phase noise plots and take care to choose a signal generator with the best phase-noise performance.

5.1.2 Clock Signal Generator

Equally important in the high-performance ADC evaluation setup is the selection of the clocking source. Most modern ADCs, the ADS61xx/ADS61B23 included, accept either a sinusoidal or a square-wave clock input. The key metric in selecting a clocking source is selecting a source with the lowest jitter. This becomes increasingly important as the ADC input frequency (f_{in}) increases, because the ADC SNR evaluation setups can become jitter-limited (t_j) as shown by the following equation.

$$\text{SNR (dBc)} = 20 \log (2\pi \times f_{in} \times t_j(\text{rms}))$$

In theory, a square-wave source with femtosecond jitter would be ideal for an ADC evaluation setup. However, in practical terms, most commercially available square-wave generators offer jitter measured in picoseconds, which is too great for high-resolution ADC evaluation setups. Therefore, most evaluation setups rely on the ADC internal clock buffer to convert a sinusoidal input signal into a ultralow-jitter square wave. When selecting a sinusoidal clocking source, it has been shown that phase noise has a direct impact on jitter performance. Consequently, great scrutiny should be applied to the phase-noise performance of the clocking signal generator. TI has found that high-Q monolithic crystal filters can improve the phase noise of the signal generator, and these filters become essential elements of the evaluation setup when high ADC input frequencies are being evaluated.

5.2 Coherent Input Frequency Selection

Typical ADC analysis requires users to collect the resulting time-domain data and perform a Fourier transform to analyze the data in the frequency domain. A stipulation of the Fourier transform is that the signal must be continuous-time; however, this is impractical when looking at a finite set of ADC samples, usually collected from a logic analyzer. Consequently, users typically apply a window function to minimize the time-domain discontinuities that arise when analyzing a finite set of samples. For ADC analysis, window functions have their own frequency signatures or lobes that distort both SNR and SFDR measurements of the ADC.

TI uses the concept of coherent sampling to work around the use of a window function. The central premise of coherent sampling entails that the input signal into the ADC is carefully chosen such that when a continuous-time signal is reconstructed from a finite sample set, no time-domain discontinuities exist. To achieve this, the input frequency must be an integer multiple of the ratio of the ADC sample rate (f_s) and the number of samples collected from the logic analyzer (N_s). The ratio of f_s to N_s is typically referred to as the fundamental frequency (f_f). Determining the ADC input frequency is a two-step process. First, the users select the frequency of interest for evaluating the ADC; then, they divide this by the fundamental frequency. This typically yields a non-integer value, which should be rounded to the nearest odd, preferably prime, integer. Once that integer, or frequency bin (f_{bin}), has been determined, users multiply this with the fundamental frequency to obtain a coherent frequency to program into their ADC input signal generator. The procedure is summarized as follows.

$$f_f = f_s / N_s$$

$$f_{bin} = \text{Odd_round}(f_{desired} / f_f)$$

$$\text{Coherent frequency} = f_f \times f_{bin}$$

6 Physical Description

This section describes the physical characteristics and PCB layout of the EVM.

6.1 PCB Layout

The EVM is constructed on a four-layer, 0.062-inch thick PCB using FR-4 material. The individual layers are shown in [Figure 2](#) through [Figure 6](#). The layout features a split ground plane; however, similar performance can be obtained with careful layout using a common ground plane.

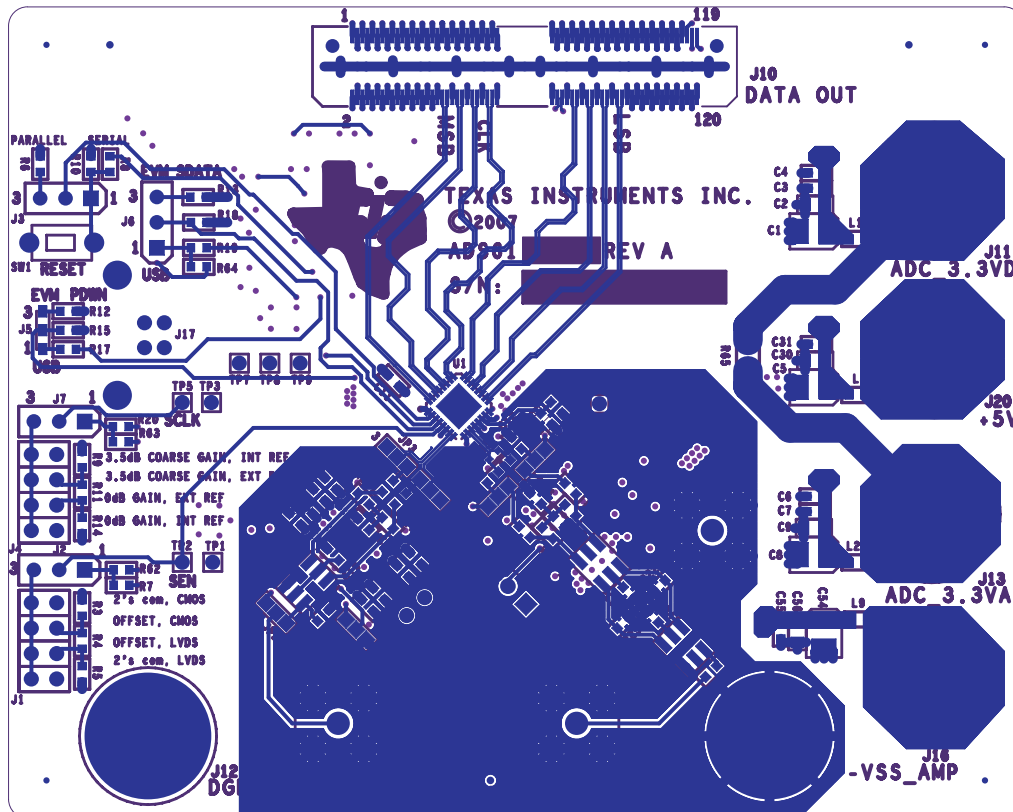


Figure 2. Top Silkscreen

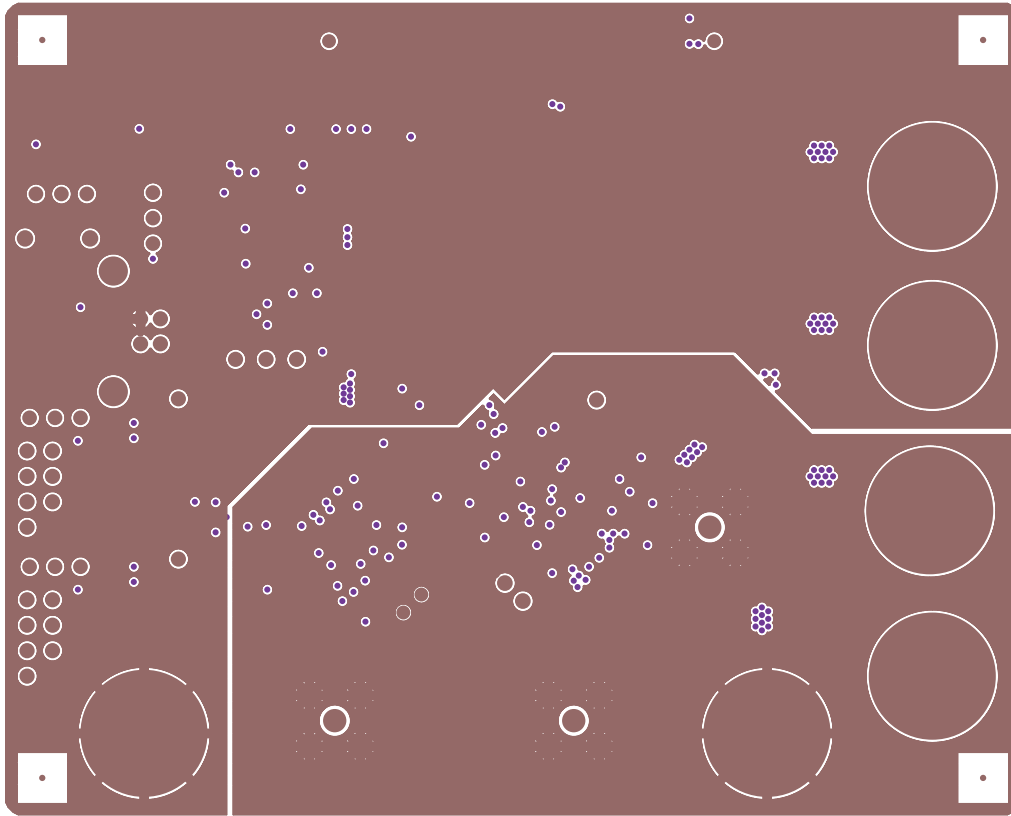


Figure 3. Component Side

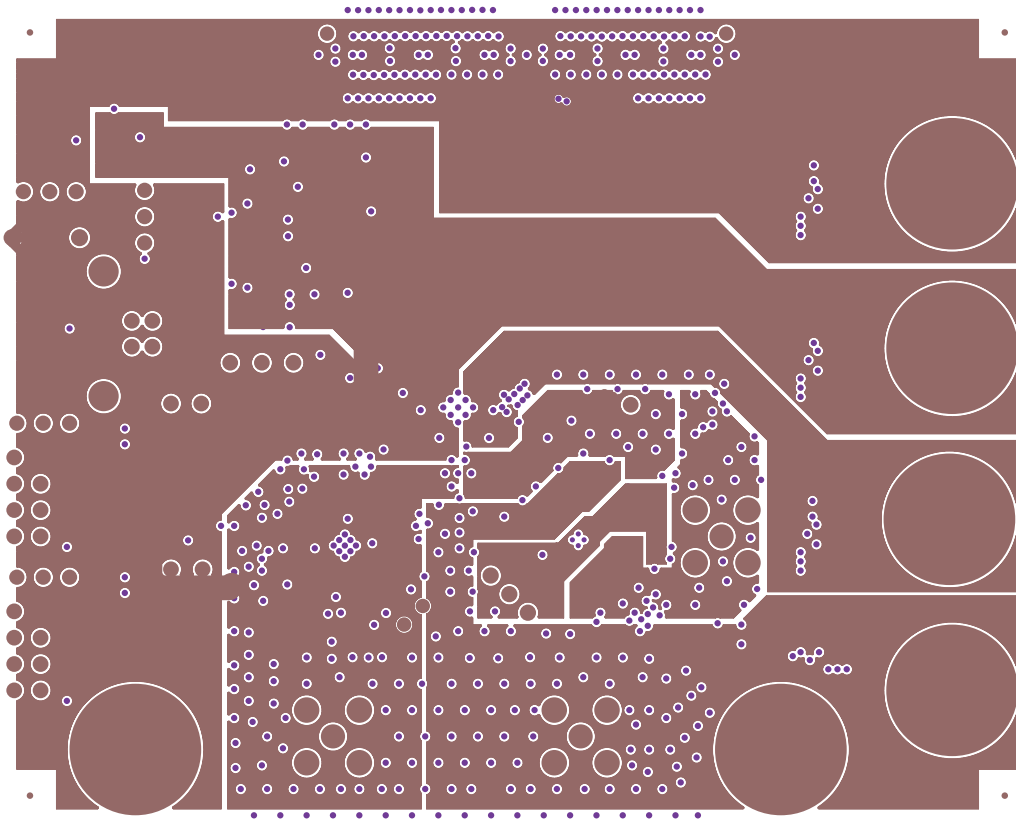


Figure 4. Ground Plane 1

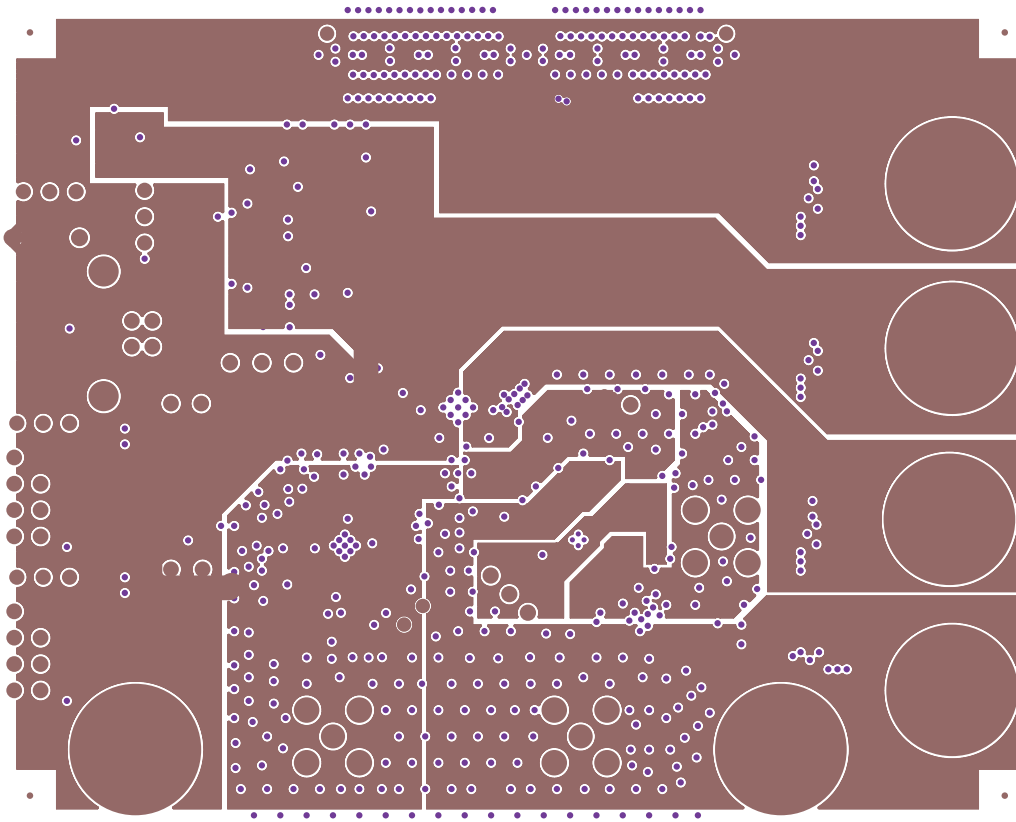


Figure 5. Power Plane 1

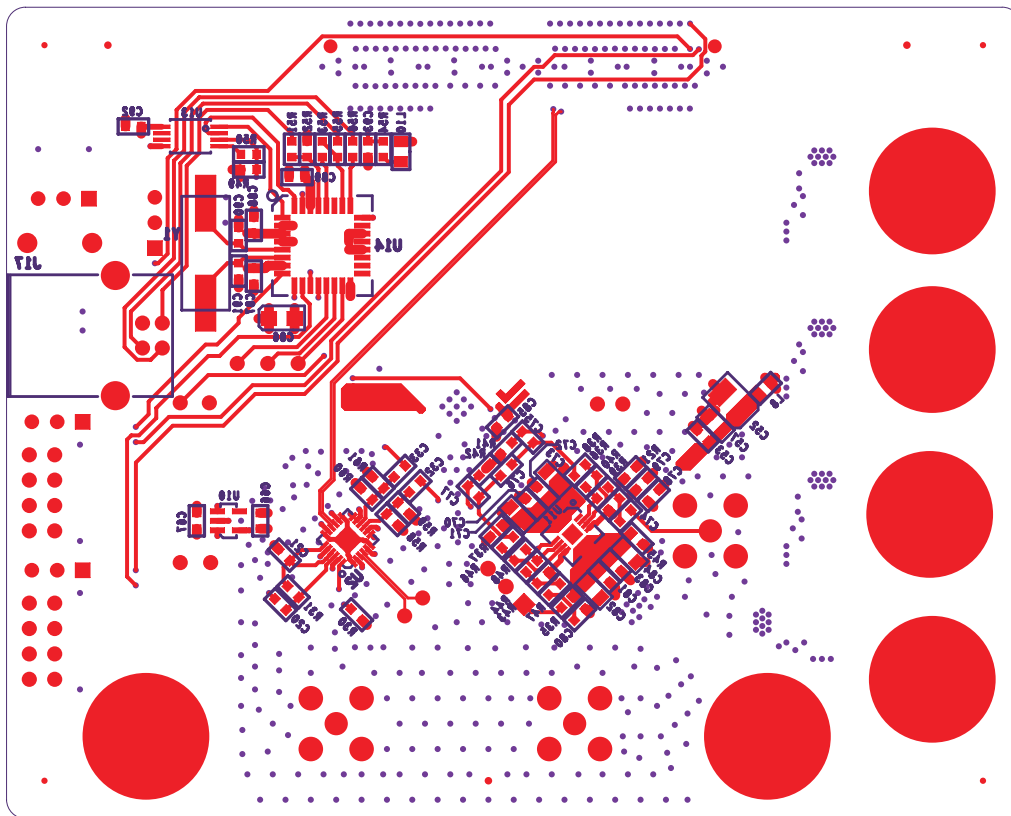


Figure 6. Bottom Side

6.2 Bill of Materials

Table 5. Bill of Materials

| Qty | Reference | Not Installed | Part | Foot Print | Part Number | Manufacturer |
|-----|--|---------------|---|--------------------|-----------------------|--------------------|
| 5 | C1, C5, C8, C52, C54 | | 33 μ F | TANT_B | B45196H2336M209 | Kemet |
| 5 | C2, C9, C30, C56, C57 | | 10 μ F | 805 | ECJ-2FB0J106K | Panasonic |
| 3 | C3, C6, C31 | | 1 μ F | 603 | ECJ-1VB1A105K | Panasonic |
| 43 | C4, C7, C11–C29, C32–C35, C53, C55, C66, C67, C70, C72, C74, C75, C77–C79, C81, C83, C85, C87–C89, C92 | | 0.1 μ F | 603 | ECJ-1VB1C104K | Panasonic |
| 4 | C71, C73, C82, C84 | | 10 μ F | 805 | ECJ-2FB1A106K | Panasonic |
| 1 | C76 | | 18 pF | 603 | ECJ-1VC1H180J | Panasonic |
| 1 | C80 | | 0.22 μ F | 603 | ECJ-1VB1A224K | Panasonic |
| 1 | C86 | | 10 μ F | TANT_A | T491A106M010AT | Kemet |
| 2 | C90, C91 | | 27 pF | 603 | GRM1885C2A270JA01D | Murata |
| 1 | C93 | | 0.01 μ F | 603 | C0603C103K1RACTU | Kemet |
| 0 | JP1 | Not installed | HEADER 2/SM | JUMPER2 | NO PART | |
| 5 | JP2–JP6 | | Jumper_1x3_SMT, Short pin 1 and 2 with 0 Ω | SJP3_JUMPER | NO PART | |
| 1 | JP8 | | Jumper_1x3_SMT, Short pin 2 and 3 with 0 Ω | SJP3_JUMPER | NO PART | |
| 2 | J1, J4 | | HEADER 4x2 | hdr4X2_100ctr | 90131-0124 | Molex |
| 4 | J2, J3, J7, JP7 | | HMTSW-103-07-G-S-.240 | HDR_THVT_1x3_100_M | HMTSW-103-07-G-S-.240 | Samtec |
| 1 | J6 | | HMTSW-103-07-G-S-.240 | HDR_THVT_1x3_100_M | HMTSW-103-07-G-S-.240 | Samtec |
| 1 | J5 | | SMD3P_BRIDGE, Short pin 1 and 2 with 0 Ω | smd_bridge_0603 | NO PART | |
| 3 | J8, J9, J15 | | SMA | SMA_THVT_320x320 | 142-0701-201 | Johnson Components |
| 1 | J10 | | CONN_QTH_30X2-D-A | conn_QTH_30X2-D-A | QTH-060-02-F-D-A | Samtec |
| 4 | J11, J13, J16, J20 | | RED | Banana Jack | ST-351A | ALLIED ELECTRONICS |
| 2 | J12, J14 | | BLK | Banana Jack | ST-351B | ALLIED ELECTRONICS |
| 1 | J17 | | CONN USB TYP B FEM | conn_usb_typb_fem | 897-30-004-90-000 | Milmax |
| 5 | L1–L3, L8, L9 | | 68 | 603 | MI0603J680R-10 | Steward |
| 1 | L10 | | 1 k at 100 MHz | 805 | BLM21AG102SN1D | Murata |
| 6 | R3–R5, R9, R11, R14 | | 1 k Ω | 603 | ERJ-3EKF1001V | Panasonic |
| 5 | R6, R10, R15, R18, R35 | | 10 k Ω | 603 | ERJ-3EKF1002V | Panasonic |
| 4 | R7, R26, R57, R66 ⁽¹⁾ | | 0 Ω | 603 | ERJ-3GEY0R00V | Panasonic |
| 8 | R8, R12, R13, R17, R19, R20, R40, R44 | | 100 Ω | 603 | ERJ-3EKF1000V | Panasonic |
| 1 | R16 | | 10 Ω | 603 | ERJ-3EKF10R0V | Panasonic |
| 2 | R22, R25 | | 200 Ω | 603 | ERJ-3EKF2000V | Panasonic |
| 2 | R23, R24 | | 39 Ω | 603 | RC0603FR-0739RL | Panasonic |
| 0 | R27, R28 | Not installed | 121 Ω | 603 | ERJ-3EKF1210V | Panasonic |
| 5 | R29, R31, R38, R46, R47 | | 49.9 Ω | 603 | ERJ-3EKF49R9V | Panasonic |
| 1 | R30 | | 60.4 k Ω | 603 | ERJ-3EKF6042V | Panasonic |
| 2 | R32, R34 | | 10 Ω | 603 | ERJ-3EKF10R0V | Panasonic |

⁽¹⁾ Remove R66 for the ADS61B23 EVM.

Table 5. Bill of Materials (continued)

| Qty | Reference | Not Installed | Part | Foot Print | Part Number | Manufacturer |
|-----|-------------------|---------------|-------------------------------------|-----------------|-------------------|---------------------------|
| 0 | R33 | Not installed | 200 Ω | 402 | ERJ-2RKF2000X | Panasonic |
| 2 | R36, R48 | | 348 Ω | 603 | ERJ-3EKF3480V | Panasonic |
| 0 | R37, R45 | Not installed | 499 Ω | 603 | ERJ-3EKF4990V | Panasonic |
| 2 | R39, R43 | | 69.8 Ω | 603 | ERJ-3EKF69R8V | Panasonic |
| 0 | R41, R42 | Not installed | 200 Ω | 603 | ERJ-3EKF2000V | Panasonic |
| 1 | R49 | | 10 k Ω | 603 | ERJ-3GEYJ103V | Panasonic |
| 1 | R50 | | 2.21 k Ω | 603 | ERJ-3EKF2211V | Panasonic |
| 1 | R51 | | 4.7 k Ω | 603 | ERJ-3EKF4R71V | Panasonic |
| 0 | R52 | Not installed | 10 k Ω | 603 | ERJ-3EKF1002V | Panasonic |
| 1 | R53 | | 1.5 k Ω | 603 | ERJ-3EKF1501V | Panasonic |
| 0 | R21, R54, R62–R64 | Not installed | 0 Ω | 603 | ERJ-3GEY0R00V | Panasonic |
| 2 | R55, R56 | | 26.7 Ω | 603 | ERJ-3EKF26R7V | Panasonic |
| 2 | R58, R60 | | 130 Ω | 603 | ERJ-3EKF1300V | Panasonic |
| 2 | R59, R61 | | 82.5 Ω | 603 | ERJ-3EKF82R5V | Panasonic |
| 1 | R65 | | 0 Ω | 1206 | ERJ-S080R00V | Panasonic |
| 1 | SW1 | | SW PUSHBUTTON | SW_RESET_PTS635 | PTS635SL43 | C & K Switch |
| 3 | TP1, TP3, TP6 | | Test Point Black | testpoint | 5001 | Keystone |
| 3 | TP2, TP4, TP5 | | Test Point White | testpoint | 5002 | Keystone |
| 0 | TP7–TP9 | Not installed | T POINT R | TESTPOINT | 5002 | Keystone |
| 2 | T1, T2 | | TC4-1W | XFMR_TC4-1W | TC4-1W | Mini Circuits |
| 1 | T3 | | TC1-1T | XFMR_TC4-1W | TC1-1T | Mini Circuits |
| 1 | U1 | | ADS614X | QFN32 | | TI |
| 1 | U2 | | CDCP1803 | mif_qfn_24 | CDCP1803RGET | TI |
| 1 | U10 | | TPS73233 | DBV5 | TPS73233DBVT | TI |
| 1 | U11 | | THS4509 | QFN16 | THS4509RGTT | TI |
| 1 | U13 | | 93C66B | TSSOP8 | 93C66B | Microchip |
| 1 | U14 | | FT245BM | PQFP32 | FT245BM | Future Technology Devices |
| 1 | Y1 | | 6.0000MHz | smd_csm-7_xtal | ECS-60-32-5PDN-TR | ECS |
| 4 | MP2 | | Screw machine, ph 4-40 \times 3/8 | | PMS 440 0038 PH | Building Fasteners |
| 4 | MP3 | | Stand-off hex .5/4-40THR | | 1902C | Keystone Electronic |

6.3 EVM Schematics

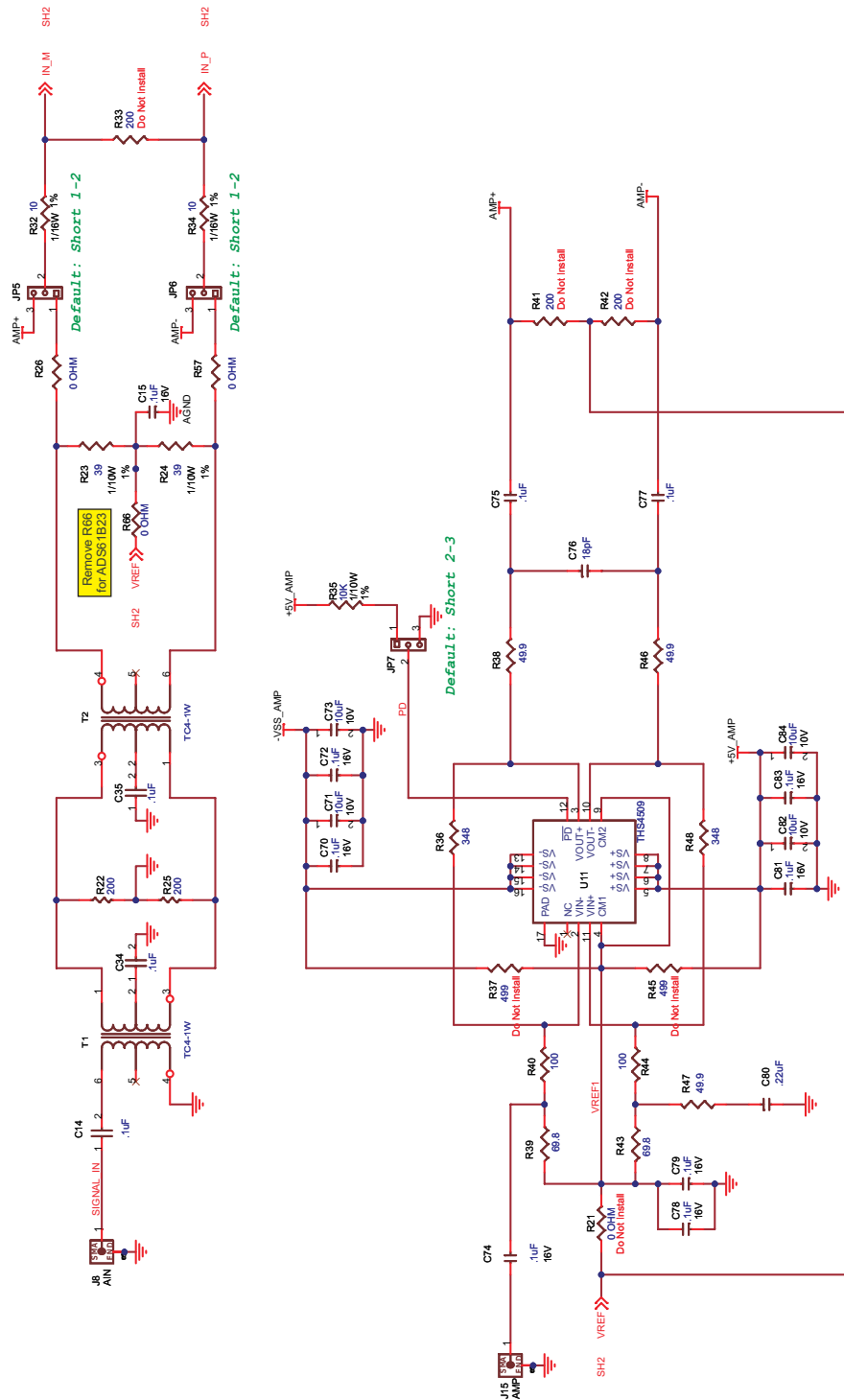


Figure 7. EVM Schematic, Sheet 1

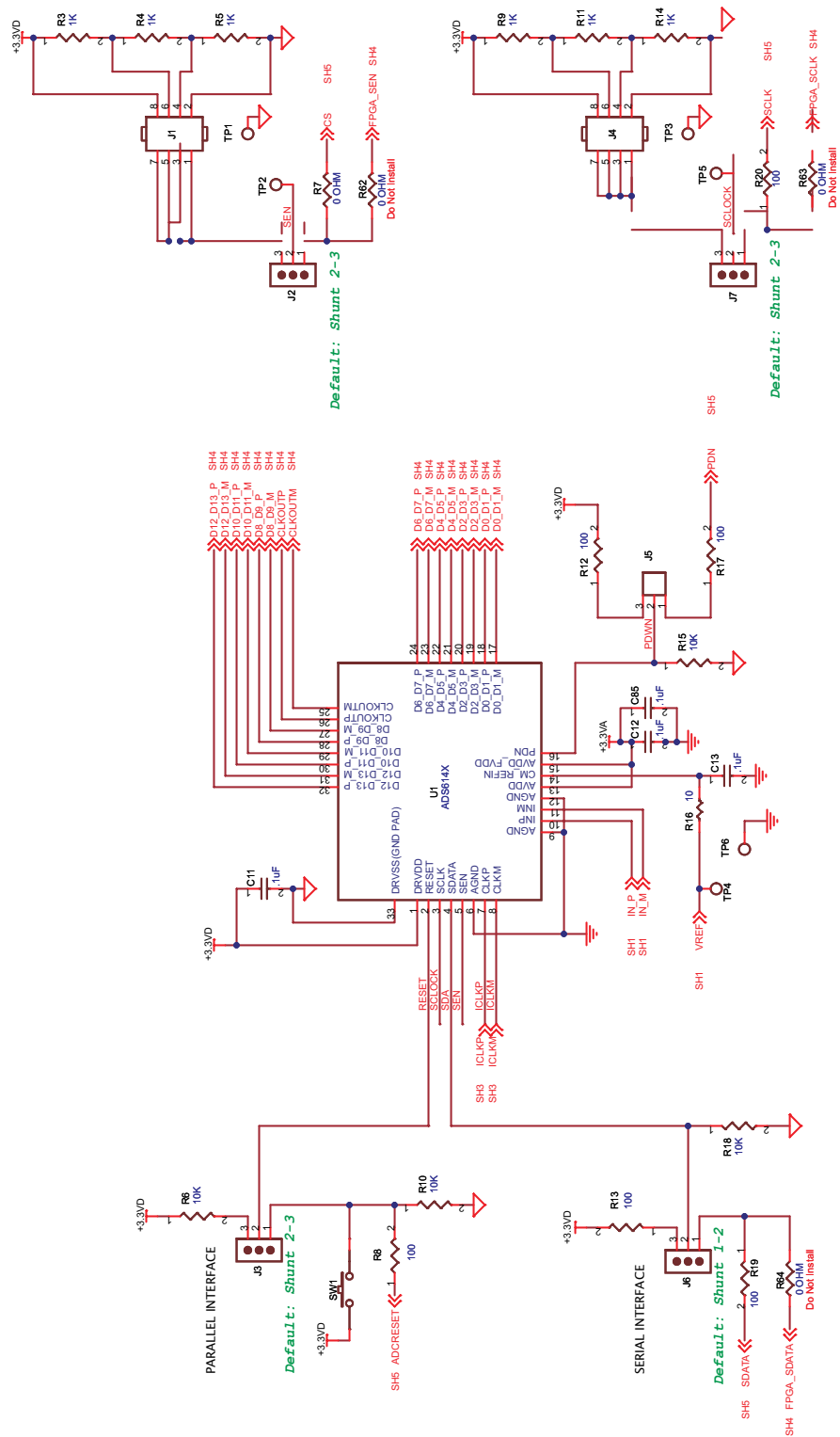


Figure 8. EVM Schematic, Sheet 2

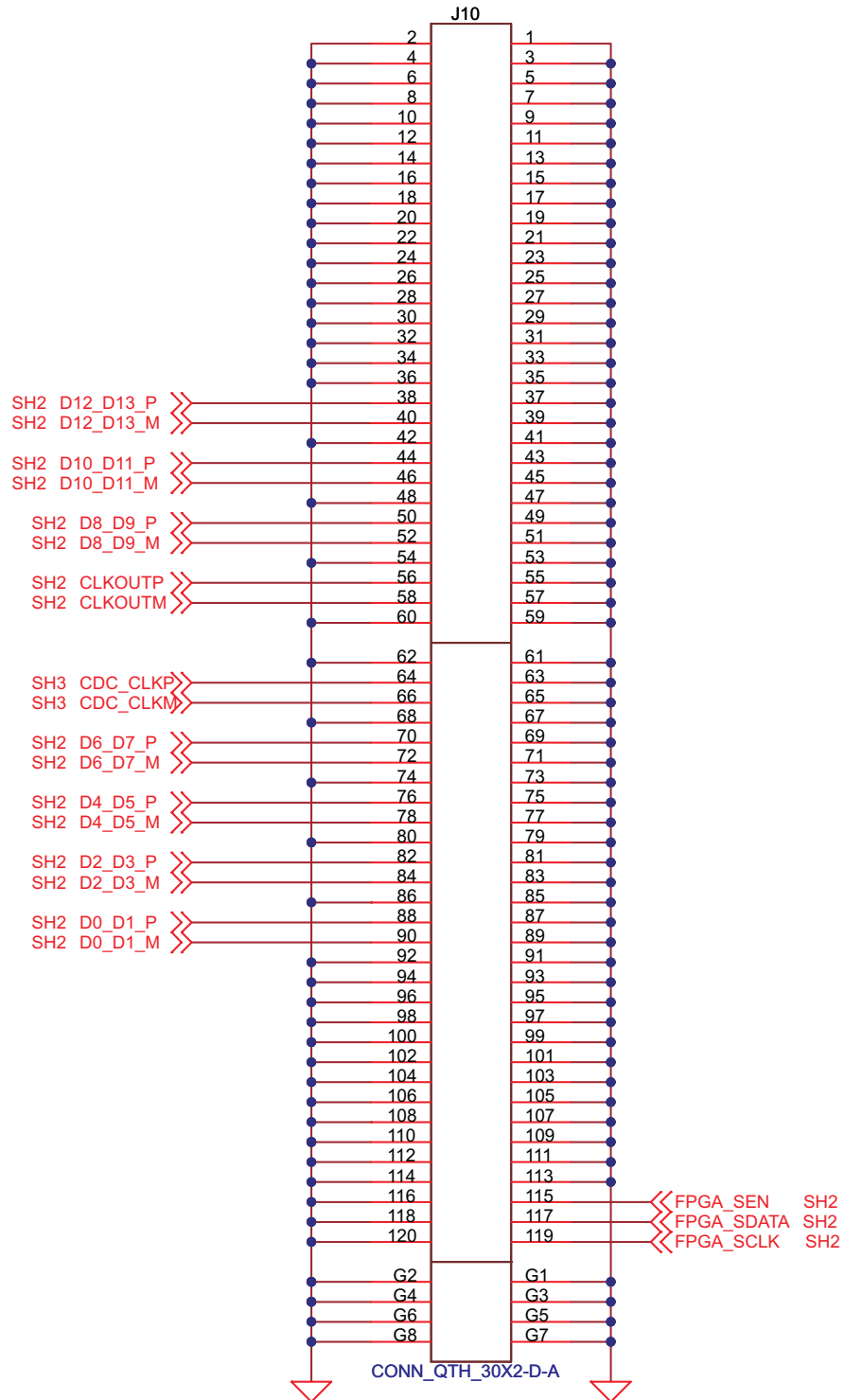


Figure 10. EVM Schematic, Sheet 4

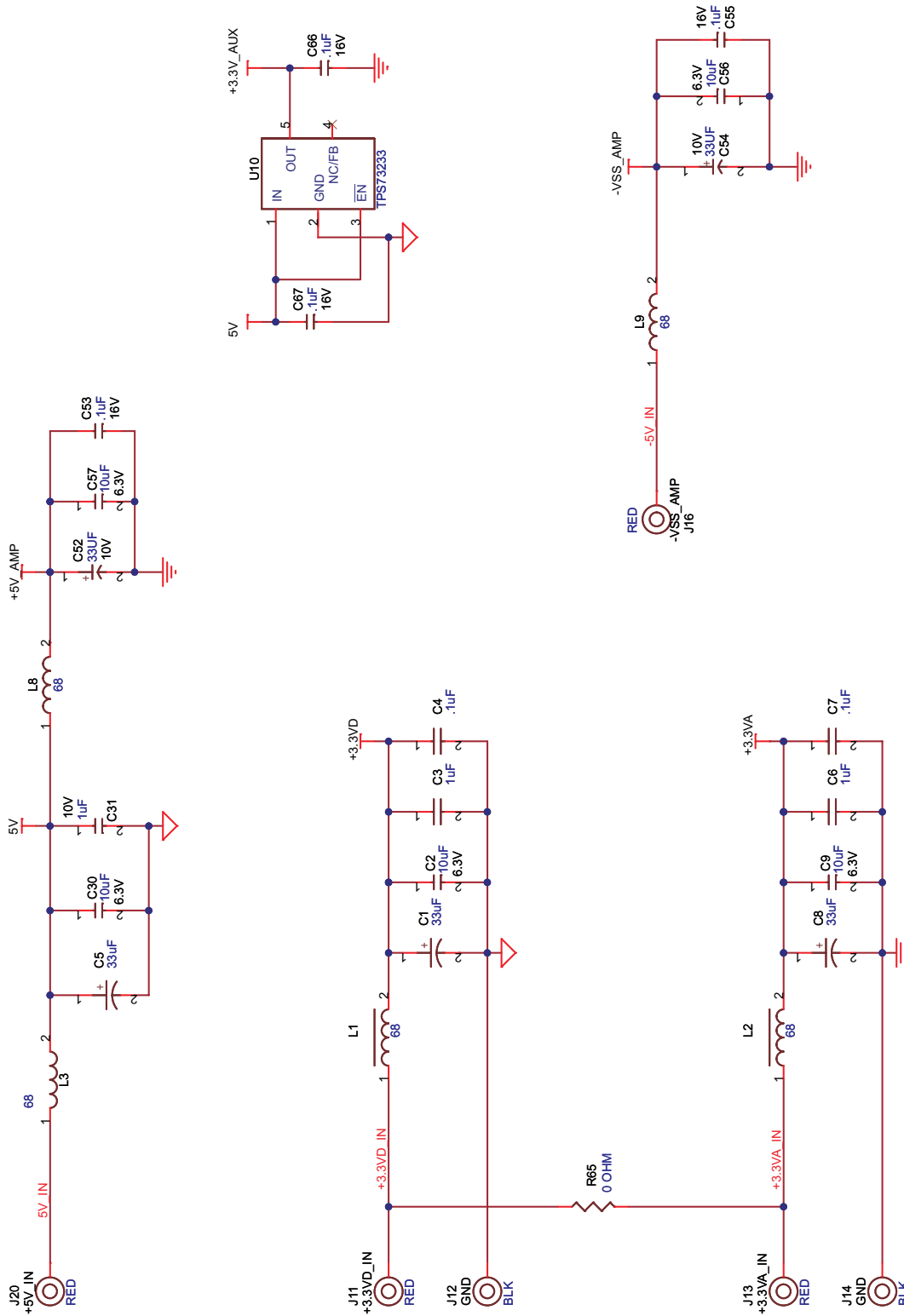


Figure 11. EVM Schematic, Sheet 5

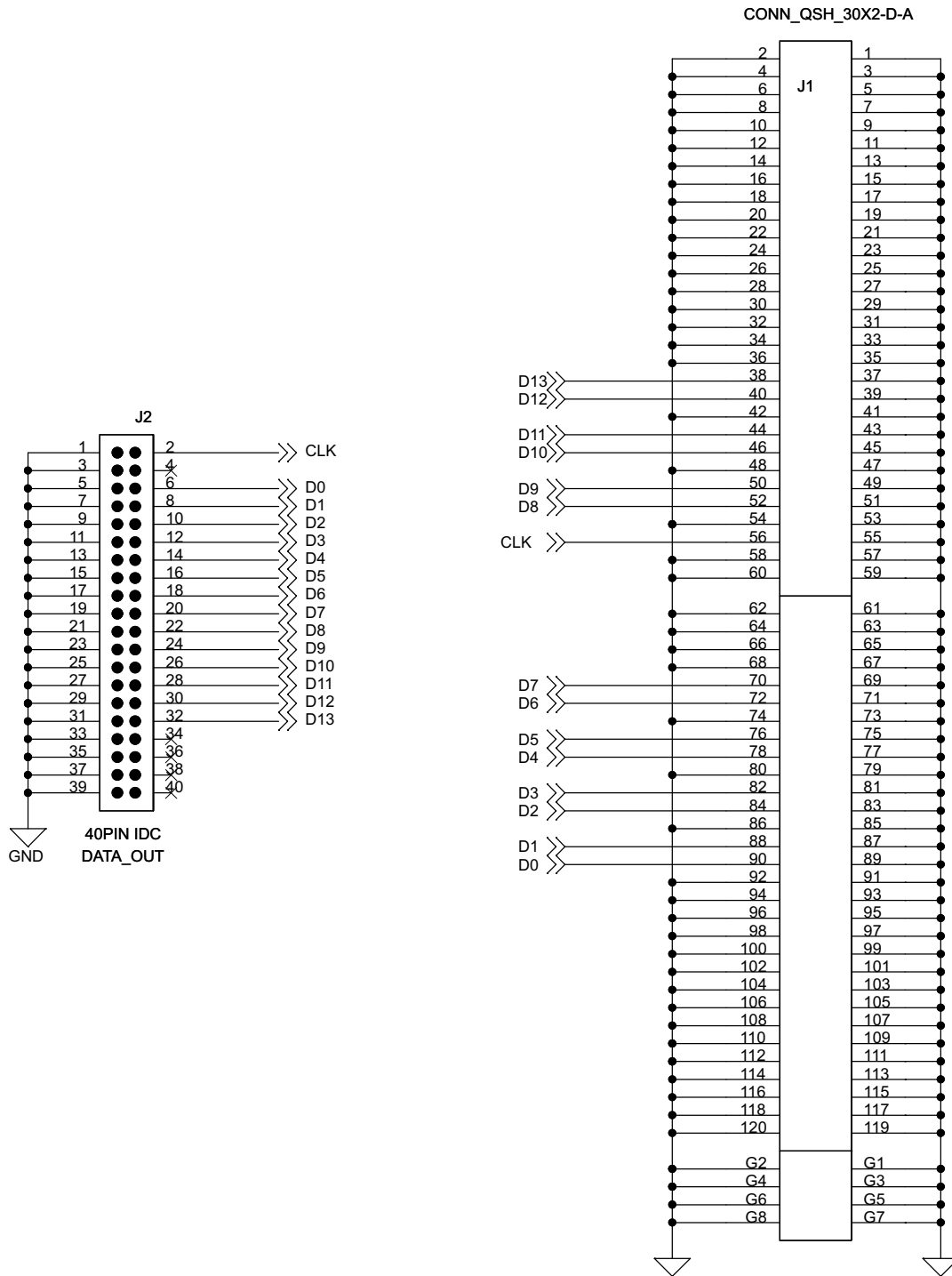


Figure 12. Breakout Board Schematic, Sheet 6

EVALUATION BOARD/KIT IMPORTANT NOTICE

Texas Instruments (TI) provides the enclosed product(s) under the following conditions:

This evaluation board/kit is intended for use for **ENGINEERING DEVELOPMENT, DEMONSTRATION, OR EVALUATION PURPOSES ONLY** and is not considered by TI to be a finished end-product fit for general consumer use. Persons handling the product(s) must have electronics training and observe good engineering practice standards. As such, the goods being provided are not intended to be complete in terms of required design-, marketing-, and/or manufacturing-related protective considerations, including product safety and environmental measures typically found in end products that incorporate such semiconductor components or circuit boards. This evaluation board/kit does not fall within the scope of the European Union directives regarding electromagnetic compatibility, restricted substances (RoHS), recycling (WEEE), FCC, CE or UL, and therefore may not meet the technical requirements of these directives or other related directives.

Should this evaluation board/kit not meet the specifications indicated in the User's Guide, the board/kit may be returned within 30 days from the date of delivery for a full refund. **THE FOREGOING WARRANTY IS THE EXCLUSIVE WARRANTY MADE BY SELLER TO BUYER AND IS IN LIEU OF ALL OTHER WARRANTIES, EXPRESSED, IMPLIED, OR STATUTORY, INCLUDING ANY WARRANTY OF MERCHANTABILITY OR FITNESS FOR ANY PARTICULAR PURPOSE.**

The user assumes all responsibility and liability for proper and safe handling of the goods. Further, the user indemnifies TI from all claims arising from the handling or use of the goods. Due to the open construction of the product, it is the user's responsibility to take any and all appropriate precautions with regard to electrostatic discharge.

EXCEPT TO THE EXTENT OF THE INDEMNITY SET FORTH ABOVE, NEITHER PARTY SHALL BE LIABLE TO THE OTHER FOR ANY INDIRECT, SPECIAL, INCIDENTAL, OR CONSEQUENTIAL DAMAGES.

TI currently deals with a variety of customers for products, and therefore our arrangement with the user **is not exclusive**.

TI assumes **no liability for applications assistance, customer product design, software performance, or infringement of patents or services described herein**.

Please read the User's Guide and, specifically, the Warnings and Restrictions notice in the User's Guide prior to handling the product. This notice contains important safety information about temperatures and voltages. For additional information on TI's environmental and/or safety programs, please contact the TI application engineer or visit www.ti.com/esh.

No license is granted under any patent right or other intellectual property right of TI covering or relating to any machine, process, or combination in which such TI products or services might be or are used.

FCC Warning

This evaluation board/kit is intended for use for **ENGINEERING DEVELOPMENT, DEMONSTRATION, OR EVALUATION PURPOSES ONLY** and is not considered by TI to be a finished end-product fit for general consumer use. It generates, uses, and can radiate radio frequency energy and has not been tested for compliance with the limits of computing devices pursuant to part 15 of FCC rules, which are designed to provide reasonable protection against radio frequency interference. Operation of this equipment in other environments may cause interference with radio communications, in which case the user at his own expense will be required to take whatever measures may be required to correct this interference.

EVM WARNINGS AND RESTRICTIONS

It is important to operate this EVM within the input voltage range of -0.3 V to 3.6 V and the output voltage range of -0.3 V to 3.6 V .

Exceeding the specified input range may cause unexpected operation and/or irreversible damage to the EVM. If there are questions concerning the input range, please contact a TI field representative prior to connecting the input power.

Applying loads outside of the specified output range may result in unintended operation and/or possible permanent damage to the EVM. Please consult the EVM User's Guide prior to connecting any load to the EVM output. If there is uncertainty as to the load specification, please contact a TI field representative.

During normal operation, some circuit components may have case temperatures greater than 50°C . The EVM is designed to operate properly with certain components above 25°C as long as the input and output ranges are maintained. These components include but are not limited to linear regulators, switching transistors, pass transistors, and current sense resistors. These types of devices can be identified using the EVM schematic located in the EVM User's Guide. When placing measurement probes near these devices during operation, please be aware that these devices may be very warm to the touch.

Mailing Address: Texas Instruments, Post Office Box 655303, Dallas, Texas 75265
Copyright 2007-2008, Texas Instruments Incorporated

IMPORTANT NOTICE

Texas Instruments Incorporated and its subsidiaries (TI) reserve the right to make corrections, modifications, enhancements, improvements, and other changes to its products and services at any time and to discontinue any product or service without notice. Customers should obtain the latest relevant information before placing orders and should verify that such information is current and complete. All products are sold subject to TI's terms and conditions of sale supplied at the time of order acknowledgment.

TI warrants performance of its hardware products to the specifications applicable at the time of sale in accordance with TI's standard warranty. Testing and other quality control techniques are used to the extent TI deems necessary to support this warranty. Except where mandated by government requirements, testing of all parameters of each product is not necessarily performed.

TI assumes no liability for applications assistance or customer product design. Customers are responsible for their products and applications using TI components. To minimize the risks associated with customer products and applications, customers should provide adequate design and operating safeguards.

TI does not warrant or represent that any license, either express or implied, is granted under any TI patent right, copyright, mask work right, or other TI intellectual property right relating to any combination, machine, or process in which TI products or services are used. Information published by TI regarding third-party products or services does not constitute a license from TI to use such products or services or a warranty or endorsement thereof. Use of such information may require a license from a third party under the patents or other intellectual property of the third party, or a license from TI under the patents or other intellectual property of TI.

Reproduction of TI information in TI data books or data sheets is permissible only if reproduction is without alteration and is accompanied by all associated warranties, conditions, limitations, and notices. Reproduction of this information with alteration is an unfair and deceptive business practice. TI is not responsible or liable for such altered documentation. Information of third parties may be subject to additional restrictions.

Resale of TI products or services with statements different from or beyond the parameters stated by TI for that product or service voids all express and any implied warranties for the associated TI product or service and is an unfair and deceptive business practice. TI is not responsible or liable for any such statements.

TI products are not authorized for use in safety-critical applications (such as life support) where a failure of the TI product would reasonably be expected to cause severe personal injury or death, unless officers of the parties have executed an agreement specifically governing such use. Buyers represent that they have all necessary expertise in the safety and regulatory ramifications of their applications, and acknowledge and agree that they are solely responsible for all legal, regulatory and safety-related requirements concerning their products and any use of TI products in such safety-critical applications, notwithstanding any applications-related information or support that may be provided by TI. Further, Buyers must fully indemnify TI and its representatives against any damages arising out of the use of TI products in such safety-critical applications.

TI products are neither designed nor intended for use in military/aerospace applications or environments unless the TI products are specifically designated by TI as military-grade or "enhanced plastic." Only products designated by TI as military-grade meet military specifications. Buyers acknowledge and agree that any such use of TI products which TI has not designated as military-grade is solely at the Buyer's risk, and that they are solely responsible for compliance with all legal and regulatory requirements in connection with such use.

TI products are neither designed nor intended for use in automotive applications or environments unless the specific TI products are designated by TI as compliant with ISO/TS 16949 requirements. Buyers acknowledge and agree that, if they use any non-designated products in automotive applications, TI will not be responsible for any failure to meet such requirements.

Following are URLs where you can obtain information on other Texas Instruments products and application solutions:

Products

| | |
|-----------------------------|--|
| Amplifiers | amplifier.ti.com |
| Data Converters | dataconverter.ti.com |
| DSP | dsp.ti.com |
| Clocks and Timers | www.ti.com/clocks |
| Interface | interface.ti.com |
| Logic | logic.ti.com |
| Power Mgmt | power.ti.com |
| Microcontrollers | microcontroller.ti.com |
| RFID | www.ti-rfid.com |
| RF/IF and ZigBee® Solutions | www.ti.com/lprf |

Applications

| | |
|--------------------|--|
| Audio | www.ti.com/audio |
| Automotive | www.ti.com/automotive |
| Broadband | www.ti.com/broadband |
| Digital Control | www.ti.com/digitalcontrol |
| Medical | www.ti.com/medical |
| Military | www.ti.com/military |
| Optical Networking | www.ti.com/opticalnetwork |
| Security | www.ti.com/security |
| Telephony | www.ti.com/telephony |
| Video & Imaging | www.ti.com/video |
| Wireless | www.ti.com/wireless |

Mailing Address: Texas Instruments, Post Office Box 655303, Dallas, Texas 75265
Copyright © 2008, Texas Instruments Incorporated