



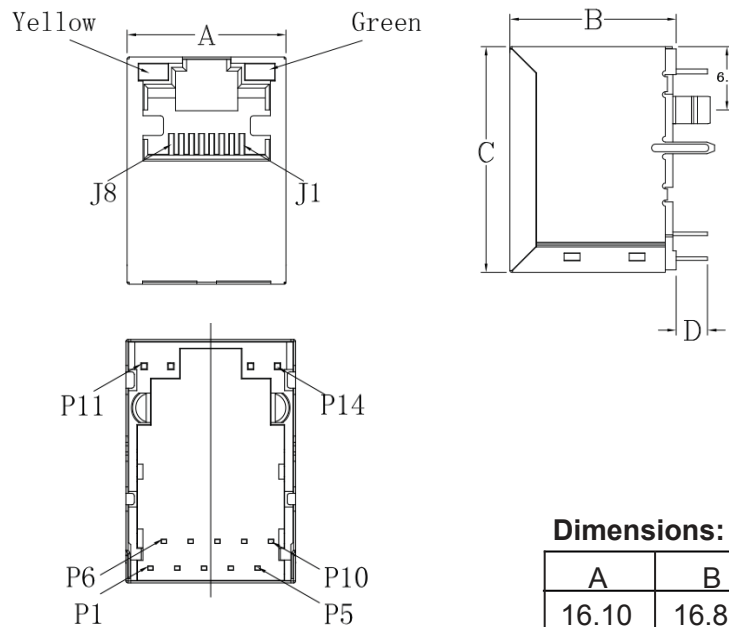
- 10/100/1000 Gigabit Base-T for Ethernet Applications
- RJ45 Jack cavity conforms to FCC rules and regulations part 68, SUB Part F
- Industrial Temp: -40°C to ± 85°C
- DC Resistance: 1.2Ω MAX
- Available in other circuit designs
- Other LED patterns available



Electrical Specifications @ 25°C									
OCL(μH Min) @100KHz, 0.1V With 8mA DC Bias	Turns Ratio @100KHz (±2%)	Insertion Loss (dB Max)	Return Loss (dB Min)				Cross Talk (dB Min)	CMR (dB Min)	Hi-Pot VDC
			1-100MHz	1-30MHz	30-50MHz	60-80MHz			
350	1CT:1CT	-1.2	-16	-12	-10	-8	-30	-30	2250

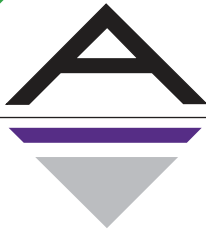
All specifications subject to change without notice

MECHANICAL

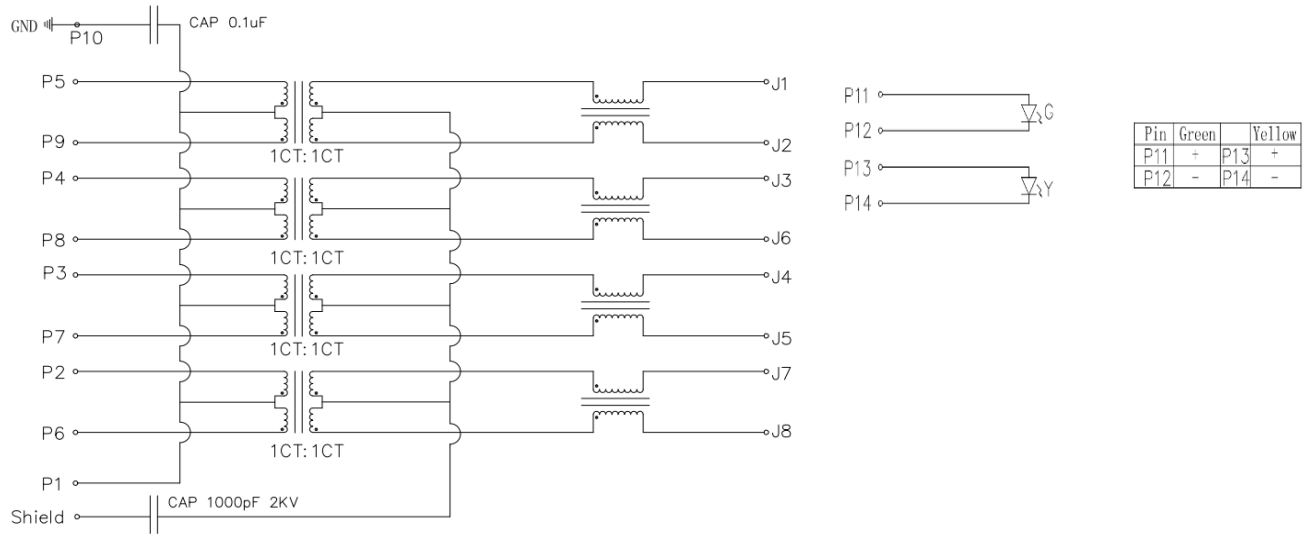


Dimensions: (mm)

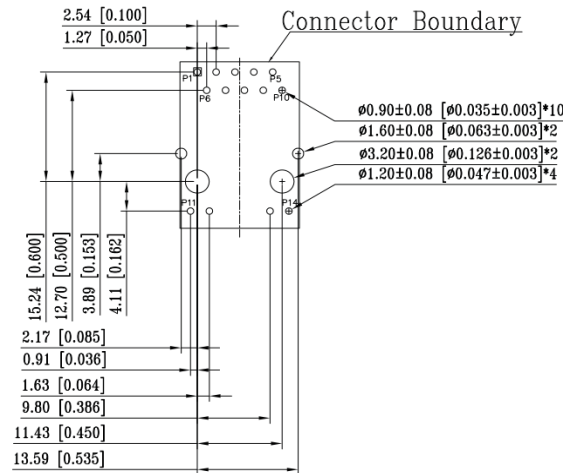
A	B	C	D
16.10	16.87	23.15	2.80



SCHEMATICS



PCB LAYOUT



NOTES

- Connector Material:
Housing: PA66 Black UL94 V-0
Shield: Brass
Shield Plating: Nickel
Contact: Phosphor Bronze
Contact Plating: Selective Gold, 30 Micro Inchs MIN in contact area
- Pin not electrically connected maybe omitted see electrical drawing for omitted Pins
- RJ45 cavities conform to FCC rules and regulations part 6B
- The part is recommended for IR soldering process peak soldering temperature is 260°C Max, 10 Secs Max