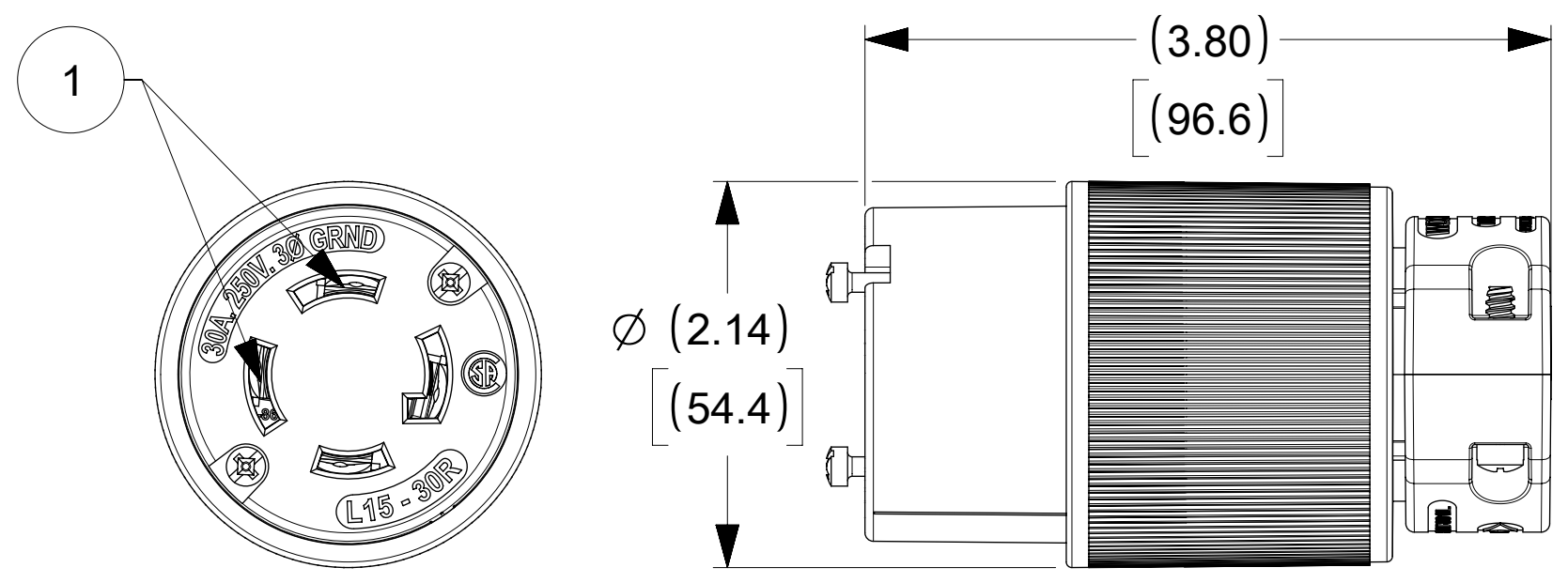
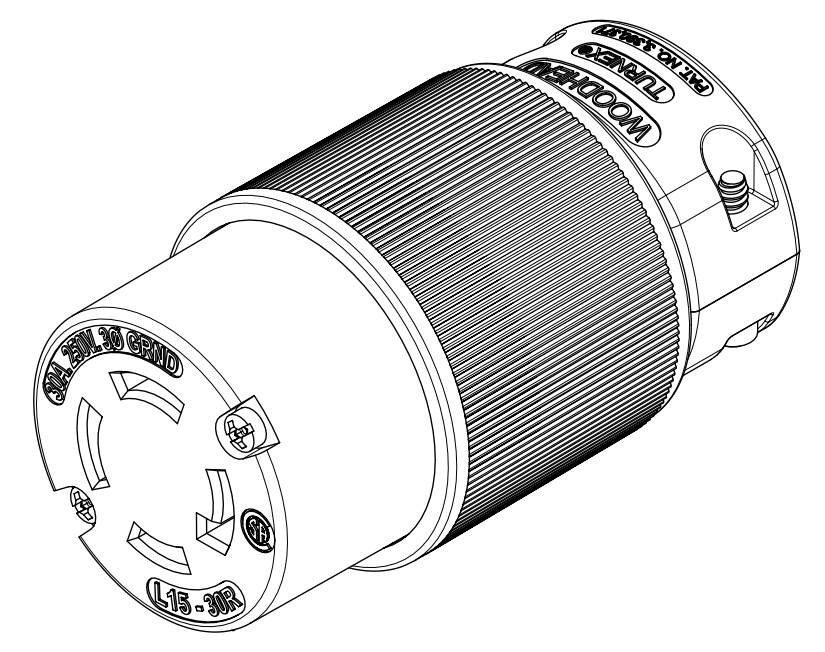
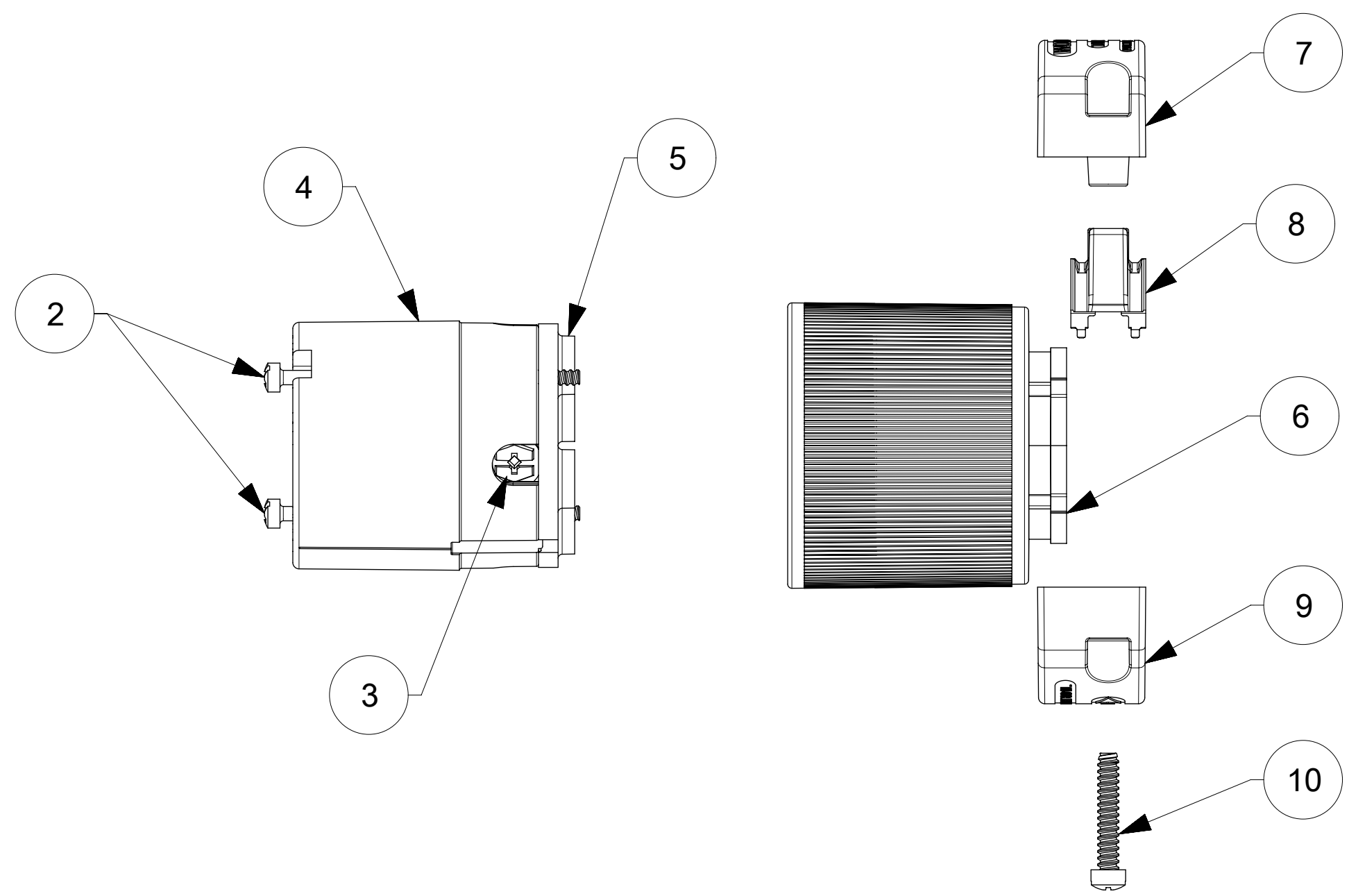
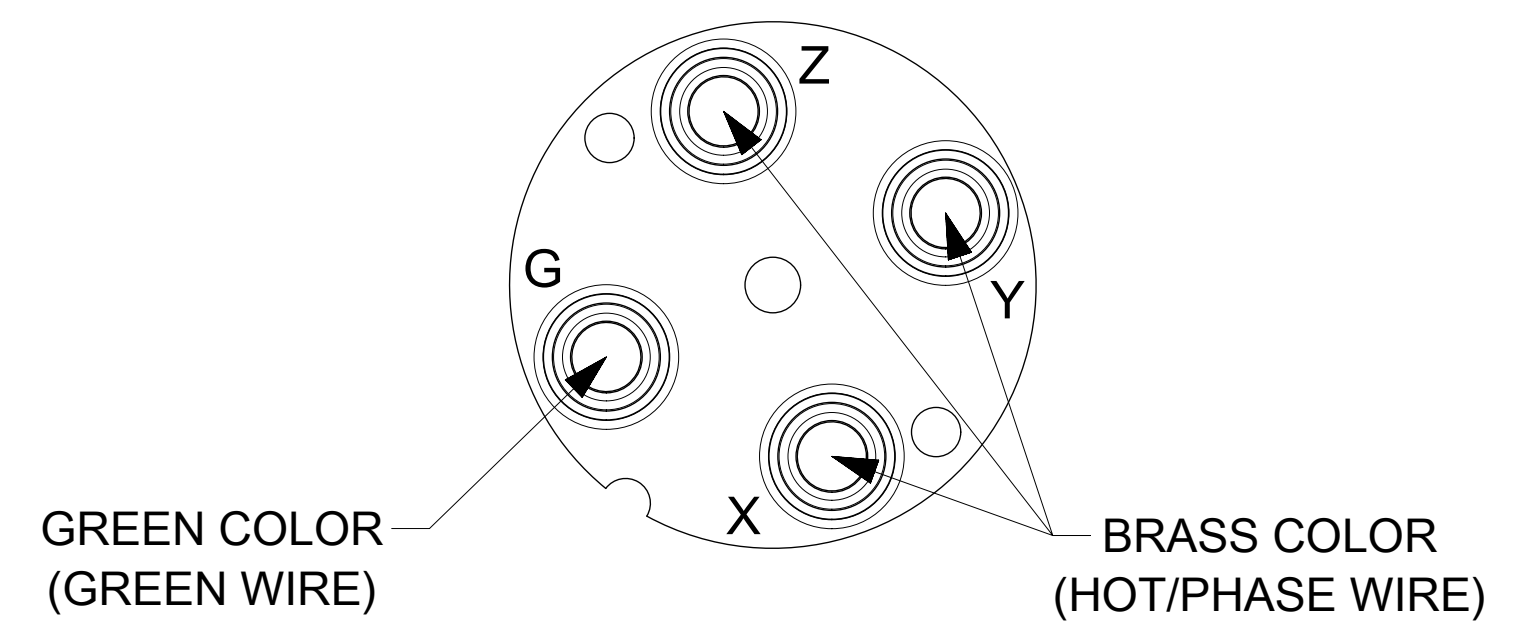


ORDER NO.	WOODHEAD NO.	COLOR
130145-0078	29T75	BLACK
130145-0079	29T75YL	YELLOW



FACE VIEW

WIRING TERMINATION



ITEM NO.	DESCRIPTIONS	MATERIAL	QTY.
1	BLADES	BRASS, NICKEL PLATED	4
2	RETAINING SCREWS	STAINLESS STEEL	2
3	TERMINAL SCREWS/CLAMP ASSEMBLY	BRASS, ZINC PLATED	4
4	INSERT	NYLON	1
5	TERMINAL COVER	POLYCARBONATE	1
6	HOUSING	NYLON	1
7	CLAMP CORD MALE	NYLON	1
8	CLAMP CORD INSERT	NYLON	1
9	CLAMP CORD FEMALE	NYLON	1
10	RETAINING SCREWS	STAINLESS STEEL	2

FUNCTIONAL SYMBOLS $\frac{F}{A} = 0$ $\frac{F}{C} = 0$ $\frac{F}{P} = 0$ DIVISIONAL SYMBOLS	THIS DRAWING CONTAINS INFORMATION THAT IS PROPRIETARY TO MOLEX ELECTRONIC TECHNOLOGIES, LLC AND SHOULD NOT BE USED WITHOUT WRITTEN PERMISSION		CURRENT REV DESC: NEW RELEASE				
	DIMENSION UNITS: INCH SCALE: NTS		EC NO: 628514 DRWN: V BASUTHKARP 2019/05/27 CHK'D: DNGUYEN62 2021/09/20 APPR: HKNEELAND 2021/10/06				
	GENERAL TOLERANCES (UNLESS SPECIFIED) 4 PLACES ±     ± 3 PLACES ±     ± 2 PLACES ±     ± 1 PLACE ±     ± 0 PLACES ±     ±		INITIAL REVISION: DRWN: V BASUTHKARP 2019/05/27 APPR: HKNEELAND 2021/10/06				
	ANGULAR TOL ± ° DRAFT WHERE APPLICABLE MUST REMAIN WITHIN DIMENSIONS		THIRD ANGLE PROJECTION DRAWING SERIES: C-SIZE 130145				
DOCUMENT NUMBER: 1301450078		DOC TYPE: PSD		DOC PART: 000		REVISION: A	
MATERIAL NUMBER: SEE TABLE		CUSTOMER: GENERAL MARKET		SHEET NUMBER: 1 OF 1			