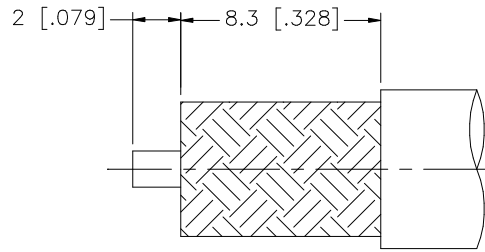
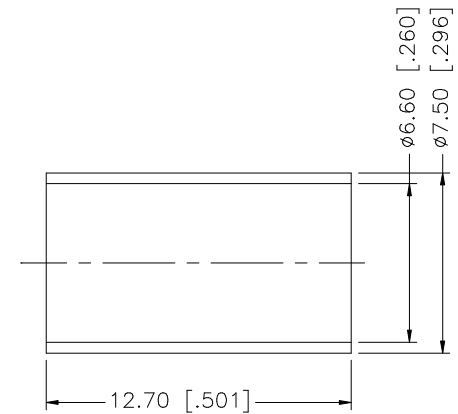
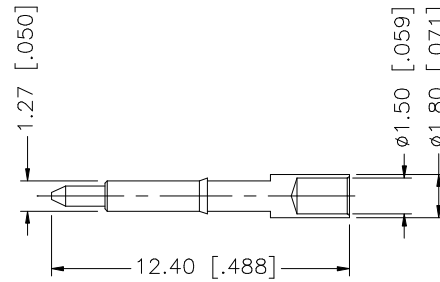
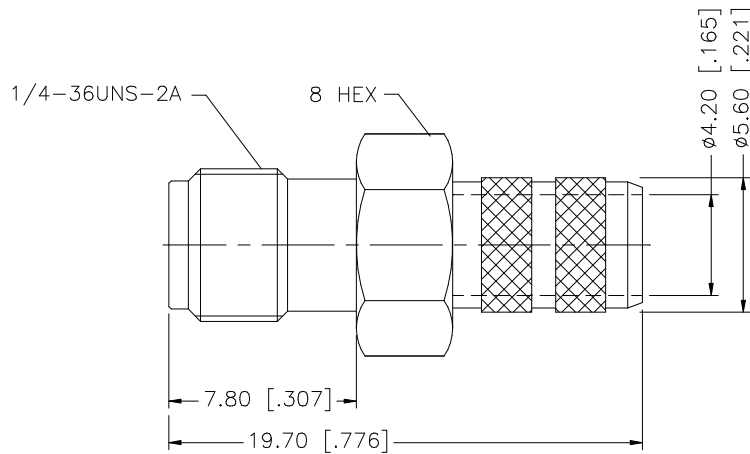


REV.	DATE	DESCRIPTION
NC	01/08/07	INITIAL RELEASE



RECOMMENDED  
CABLE STRIPPING DIM'S



NOTE:

1. CRIMPED FERRULE HEX CRIMP SIZE .255.
2. CONTACT PIN TO SOLDER.

DESCRIPTION	MATERIAL	FINISH	QTY	DO NOT SCALE DRAWING	APPROVALS	DATE	<h1 style="color: blue; margin: 0;">Amphenol Connex</h1> <p style="text-align: center; margin: 0;">PART DESCRIPTION</p> <p style="text-align: center; margin: 0;">SMA REVERSE POLARITY CRIMP JACK (FOR RG-8/X, LMR240)</p> <p style="text-align: center; margin: 0;">PART NO.</p> <p style="text-align: center; margin: 0;">132240RP</p> <p style="text-align: center; margin: 0;">DWG. NO. 132240RP.DWG</p>	REV.	SIZE	SCALE	
8				<small>UNLESS OTHERWISE SPECIFIED DIMENSIONS ARE IN MILLIMETERS. DIMENSIONS IN [ ] ARE IN INCHES AND FOR CUSTOMER REFERENCE ONLY.</small>  <small>UNLESS OTHERWISE SPECIFIED TOLERANCES FOR MILLIMETERS ARE:</small> 0.5 - 8mm ± 0.20mm 8 - 30mm ± 0.40mm 30 - 120mm ± 0.50mm  <small>UNLESS OTHERWISE SPECIFIED TOLERANCES FOR INCHES ARE:</small> .020 - .315 ± 0.007" .315 - 1.180 ± 0.015" 1.180 - 4.724 ± 0.020"	DRAWN	G.R.S.		01/08/07			
7					CHECKED						
6					ISSUED						
5					SHEET	1 OF 1					
4	FERRULE	COPPER	GOLD		1						
3	CONTACT PIN	BER. COPPER	GOLD	1							
2	INSULATOR	TEFLON	NATURAL	1							
1	BODY	BRASS	GOLD	1							
					CAD FILE	C:/132/132240RP.DWG					