

THIS DRAWING IS UNPUBLISHED.



RELEASED FOR PUBLICATION

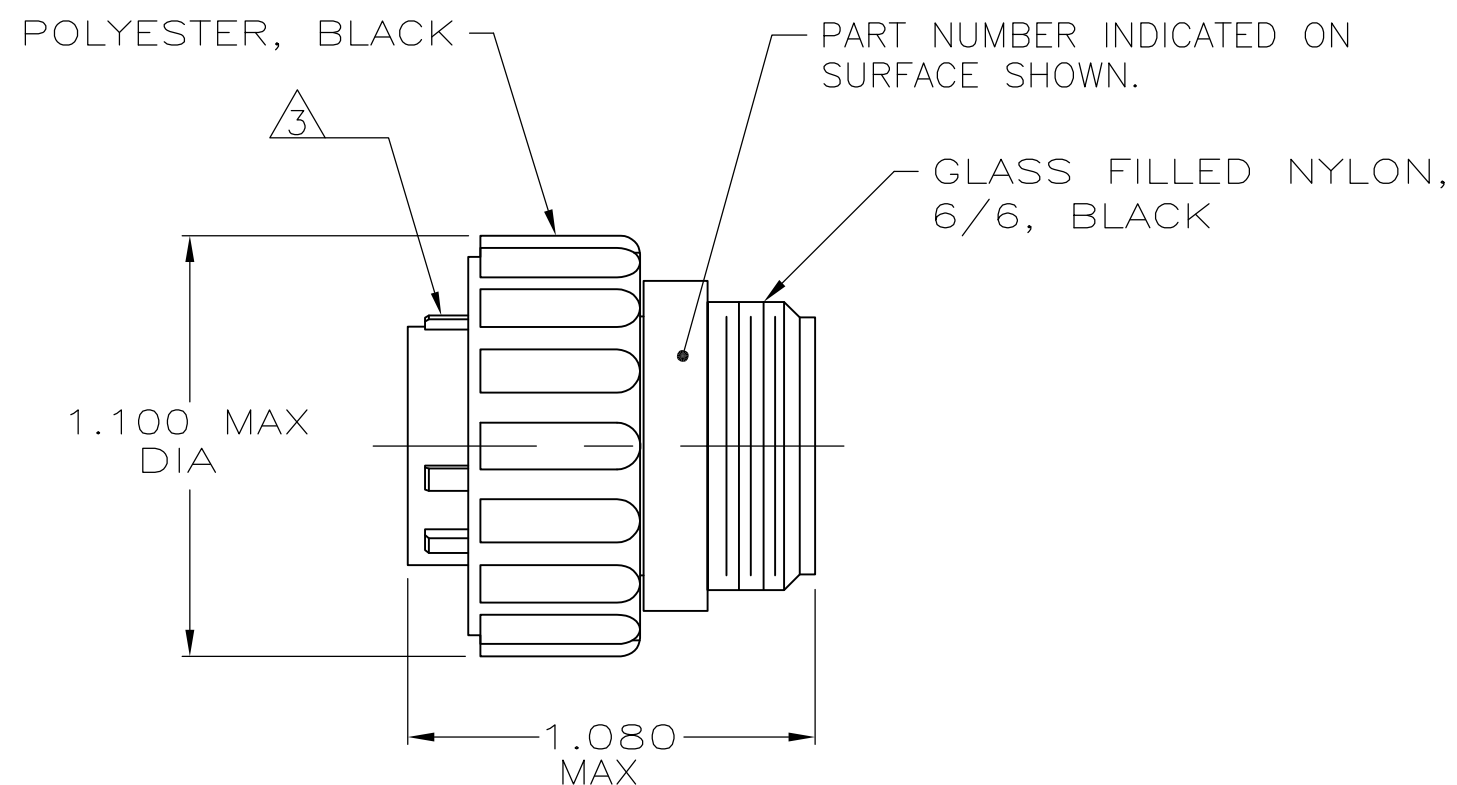
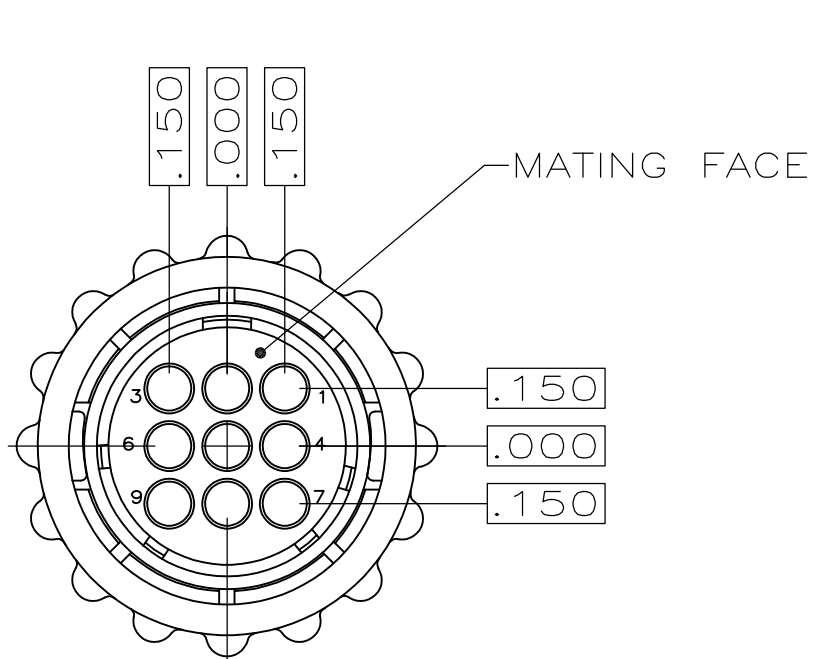
ALL RIGHTS RESERVED.

© COPYRIGHT - By -


REVISIONS

| P | LTR | DESCRIPTION               | DATE      | DWN | APVD |
|---|-----|---------------------------|-----------|-----|------|
|   | K2  | REVISED PER ECO-16-004800 | 14SEP2016 | NK  | MZ   |

- 1 CONTACT CAVITIES IDENTIFIED BY CHARACTERS ON FRONT AND REAR FACES OF CONNECTOR.
- 2 THIS PART WILL ACCEPT MULTIMATE SOCKET CONTACTS.
-  WHITE DOT OVER MAJOR KEY.
-  PRELIMINARY PART NUMBER.



|          |   |            |                     |
|----------|---|------------|---------------------|
| OBSOLETE |  | STANDARD   | <del>206708-3</del> |
|          | -   | SMALL PACK | 206708-2            |
|          | -   | STANDARD   | 206708-1            |
| NOTES    |   | PACKAGING  | PART NUMBER         |

|  |  |                  |           |    |         |   |            |               |   |
|--|--|------------------|-----------|----|---------|---|------------|---------------|---|
| THIS DRAWING IS A CONTROLLED DOCUMENT. |  | DWN              | S.RIDGLEY | BG | 7/31/90 |  TE Connectivity |            |               |   |
| DIMENSIONS: INCHES                     |  | CHK              | R.STONE   |    | 4-26-91 |   |            |               | PLUG ASSEMBLY, SHELL SIZE 13, STANDARD SEX, SERIES 1, CPC |
| TOLERANCES UNLESS OTHERWISE SPECIFIED: |  | APVD             | -         |    | -       | NAME  |            |               |   |
| 0 PLC ± -                              |  | PRODUCT SPEC     | -         |    | -       | SIZE  |            |               |   |
| 1 PLC ± -                              |  | APPLICATION SPEC | -         |    | -       | CAGE CODE   | DRAWING NO | RESTRICTED TO |   |
| 2 PLC ± -                              |  |                  | -         |    | -       | A3  | 00779      | C-206708      |   |
| 3 PLC ± -                              |  | WEIGHT           | -         |    | -       | SCALE   |            |               |   |
| 4 PLC ± -                              |  |                  | -         |    | -       | SHEET   |            |               |   |
| ANGLES ± -                             |  |                  | -         |    | -       | 1 OF 1  |            |               |   |
| FINISH                                 |  |                  | -         |    | -       | REV   |            |               |   |
| MATERIAL                               |  |                  | -         |    | -       | K2  |            |               |   |
|  |  | CUSTOMER DRAWING |           |    |         | SCALE   |            | SHEET         |   |
|  |  |                  |           |    |         | 2:1   |            | 1 OF 1        |   |
|  |  |                  |           |    |         |   |            | REV           |   |
|  |  |                  |           |    |         |   |            | K2            |   |