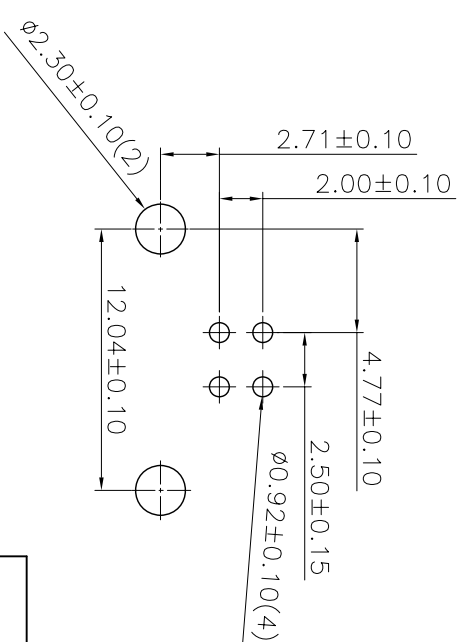
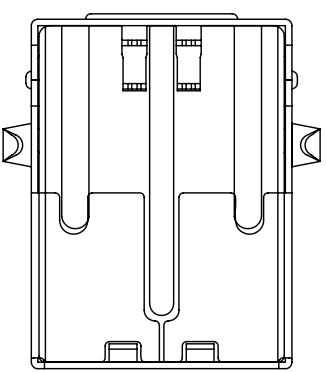
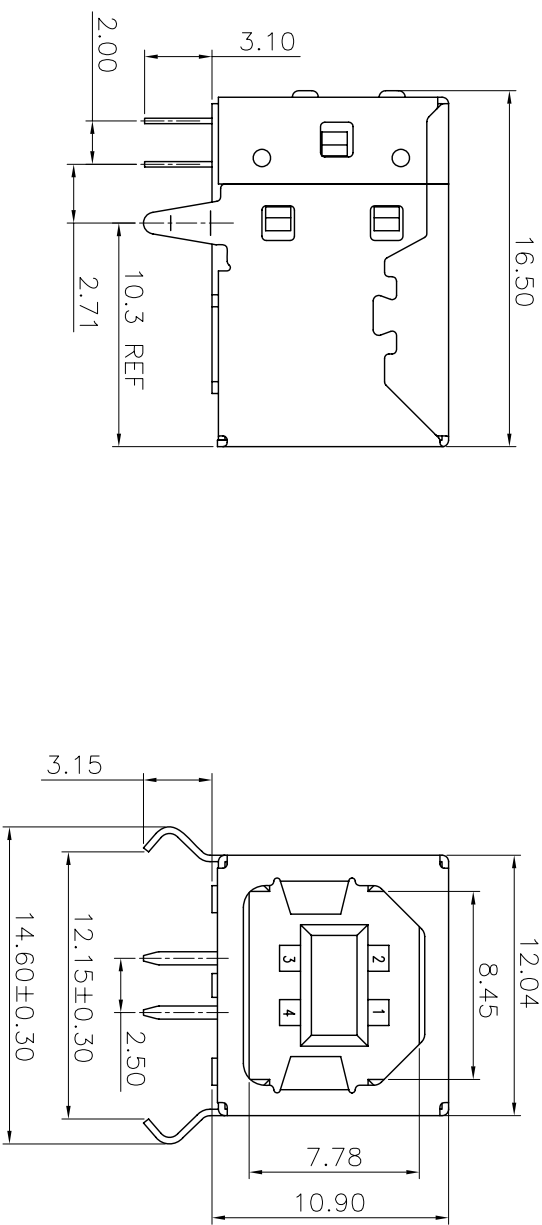


REV	ECN NO:	B Y	DATE
A2	NEW-DWG	ING	10/01/15

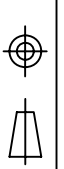
NOTE
 MATERIAL: PHOSPHOR BRONZE
 CONTACTS: PBT+30% G.F. UL-0
 INSULATOR: SEE TABLE
 SHELL: SEE TABLE
 BACKSHELL:SPCC
 MATING: 35N MAX.
 WITHDRAWAL FORCE:10N MIN.
 DURABILITY:1500 CYCLES MIN.
 CURRENT-MAX[AMPS] 1.5A
 VOLTAGE-MAX[VOLTS] 30V
 WITHSTANDING VOLTAGE 500V AC
 CONTACT RESISTANCE 30MΩ MAX.
 INSULATION RESISTANCE 1000MΩ MIN.
 CONTACTS: PLATED SEE TABLE
 SHELL: NICKEL OVER ALL PLATING
 TEMPERATURE RANGE -55°C~+85°C



RECOMMENDED P.C.B. PATTERN LAYOUT

Cnc Tech,LLC

-TOLERANCES-
 UNLESS OTHERWISE SPECIFIED



TITLE: USB BF 90°DIP铜壳
 后盖无缺口15U“成品”

X.X ±0.38	X.X° ±2°	APPD:	PRODUCT NO:	1001-003-02000
X.XX ±0.25	X.XX° ±1°	CHECK:	DATE	SCALE
X.XXX ±0.13	X.XXX° ±0.5°	DRAW:	2010.01.15	UNIT
			FREE	MM
				Z
				1