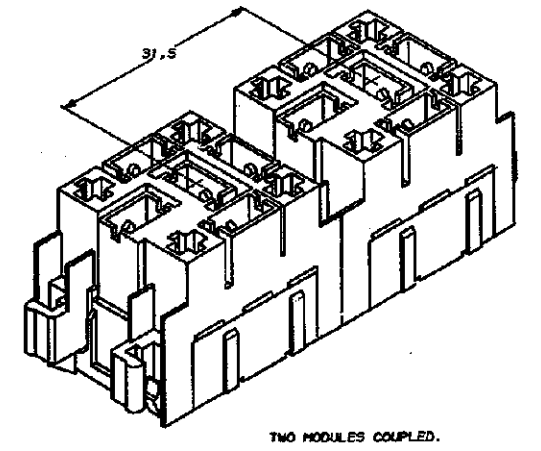
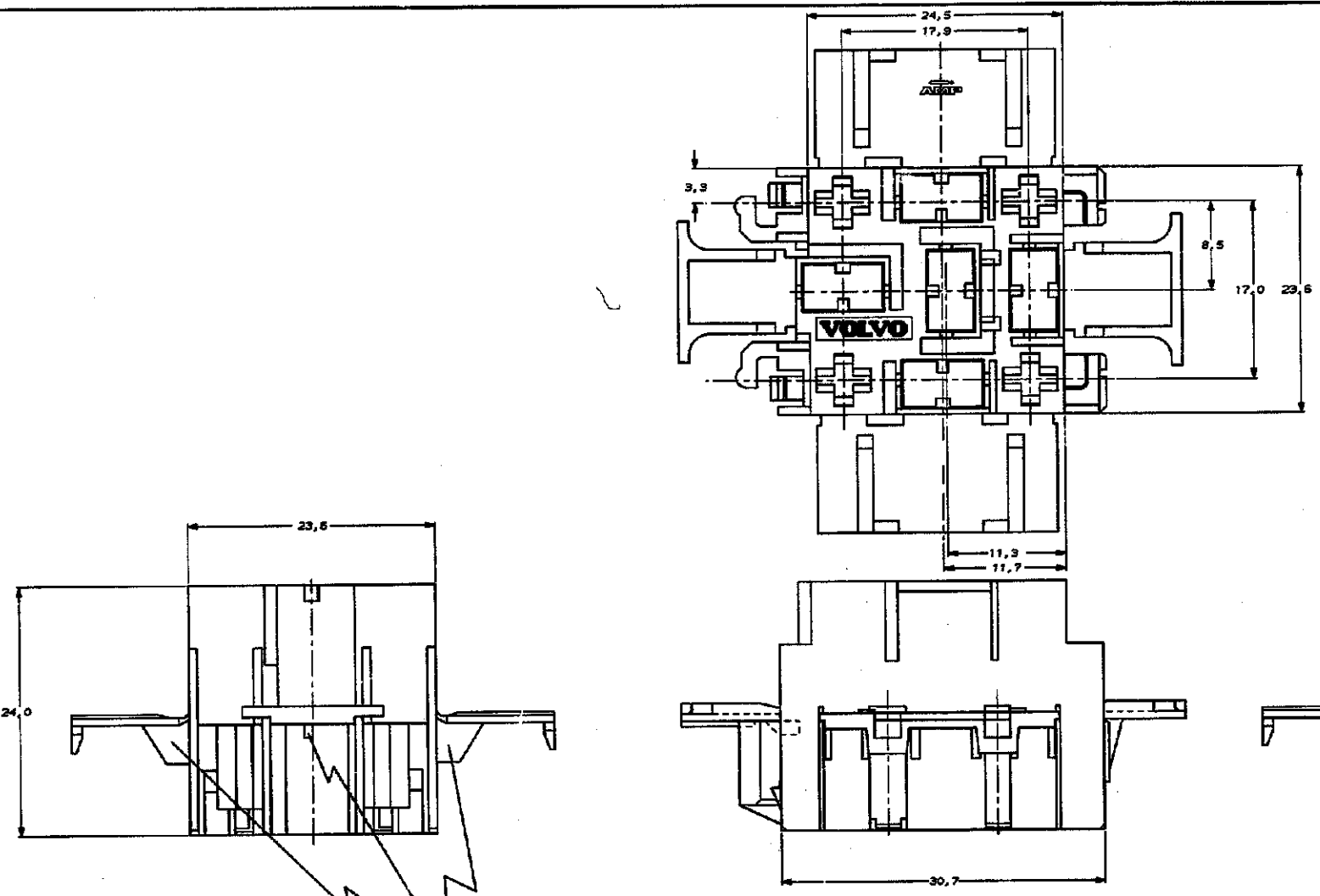
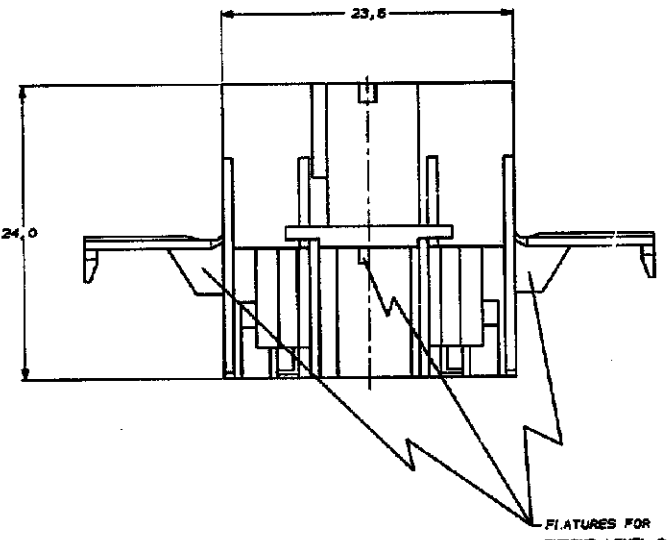


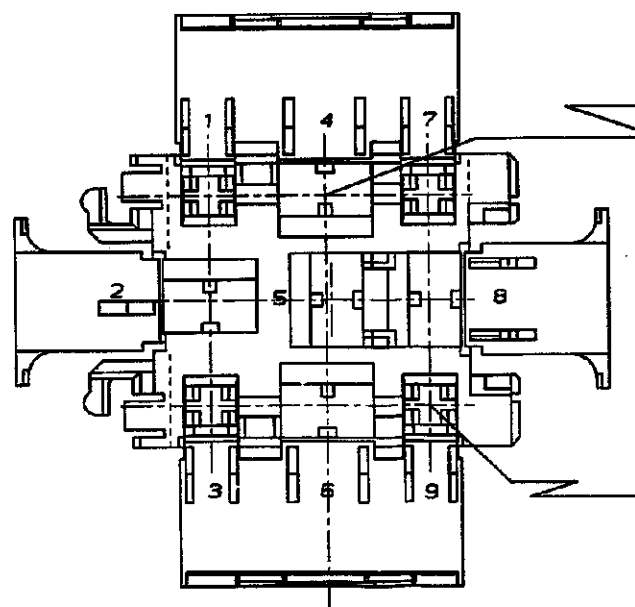
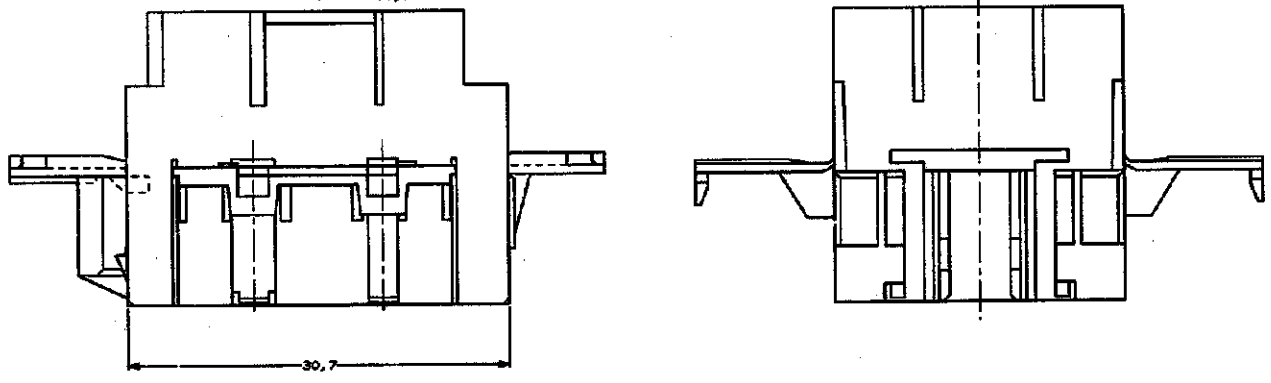
DO NOT SCALE METRIC THIRD ANGLE DIMENSIONS IN MM PROJECTION



TWO MODULES COUPLED.



FEATURES FOR SECOND LEVEL CONTACT LOCKING.



CONTACT-CAVITY SUITABLE FOR POSITIVE LOCK CONTACTS.

CONTACT-CAVITY SUITABLE FOR JUNIOR TIMER AND JUNIOR POWER TIMER CONTACTS.

DOC. CENTRE
13 SEP. 1991

BLADE	PA-S	215754-0
YELLOW	PA-S	215754-4
RED	PA-S	215754-1
NATURAL	PA-S	215754-0
COLOR	MATERIAL	PART NUMBER
CUSTOMER DRAWING		
COPYRIGHT 1988 BY AMP-HOLLAND B.V.		
ALL INTERNATIONAL RIGHTS RESERVED. AMP PRODUCTS MAY BE		
COPYIED BY U.S. AND FOREIGN AND/OR PATENTS PENDING.		
THIS DRAWING IS UNCLASSIFIED		
DATE: 04-08-87		
AMP-HOLLAND B.V.		
P.O. Box 10000, 3720 BA Zaanse Sluis, The Netherlands		
9 POS. RELAYS		
MODULE		
DR. J. KLEIN	DR. J. KLEIN	DR. J. KLEIN
DATE: 04-08-87	DATE: 04-08-87	DATE: 04-08-87
C-215754		D 1 of 1 A1