

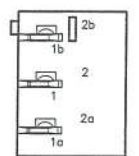
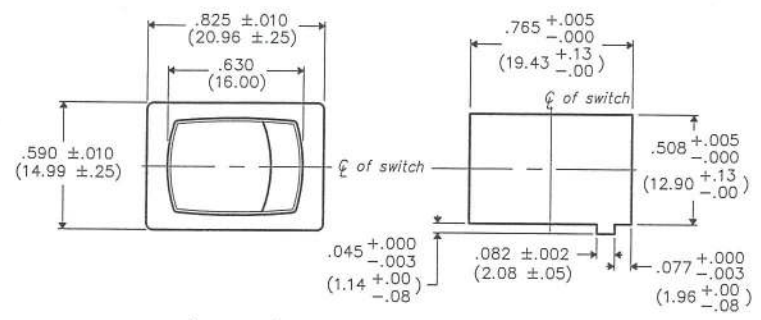
F
 D
 C
 B
 A

B-FORMAT 2002
 REVISIONS
 0
 RELEASED: DGW 7-15-13
 .JH. 19 2013

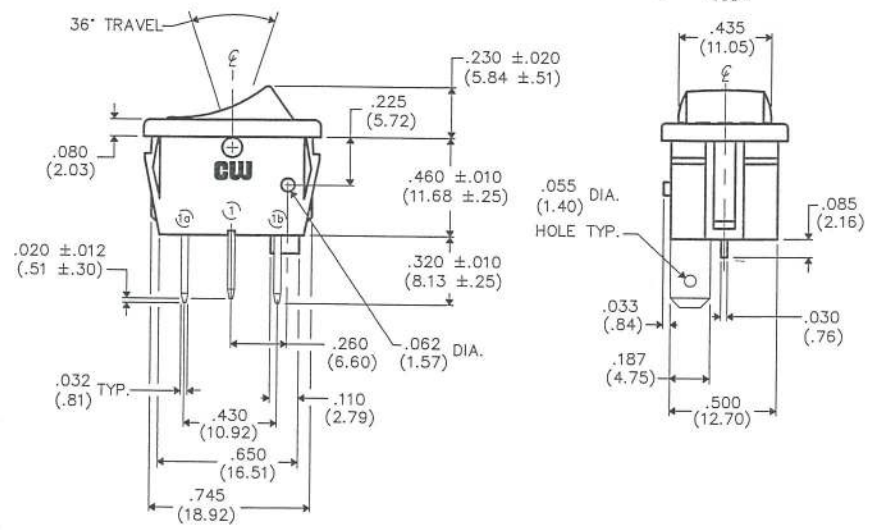
DIMENSIONS IN INCHES (MILLIMETERS)
 DO NOT SCALE DRAWING
 Dwg. No. GRS-4012-0048

PANEL PIERCING

NOTE:
 RECOMMENDED PANEL THICKNESS
 .075 ^{+0.000}/_{-.003}
 (1.91 ^{+0.00}/_{-.08})



BOTTOM VIEW



SWITCH COLOR - Black

SWITCH RATINGS:
 UL & CSA
 16A. 125VAC 12A. 250VAC
 3/4 H.P. 125-250 VAC 10A. 14V (T)
 3A. 125V L
 VDE
 10(4)A. 250V ~ 4 T85°

1 2 3 4 5 6 7 8 9 10

CW INDUSTRIES
 Southampton, Pa. 18966
 TOLERANCES UNLESS OTHERWISE SPECIFIED
 2 Place Decimal ±.010 METRIC
 3 Place Decimal ±.005 1 Place Dec. ±.25mm
 Angles ±1' 2 Place Dec. ±.13mm
 Made for: CW IND.
 Drawn by: DGW 7-15-13
 Checked by: G. Gold 7-19-13
 Approval: G. Gold 7-19-13

Title: **MINI ROCKER SWITCH S.P. - D.T.**
 Division: **SWITCH**
 Dwg. No. **GRS-4012-0048**

MASTER