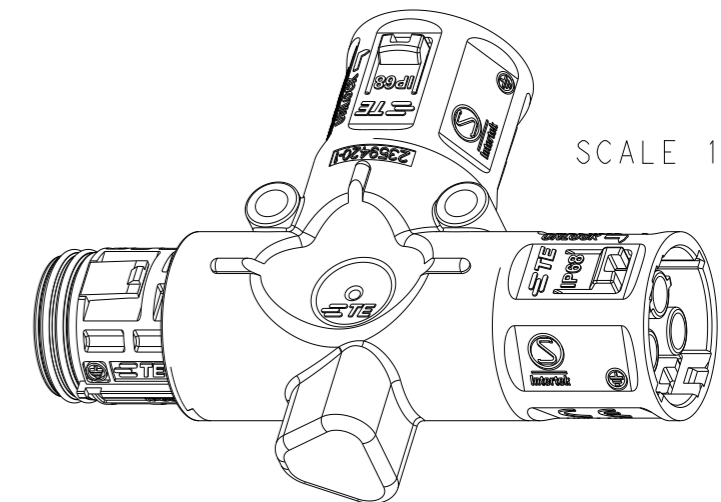
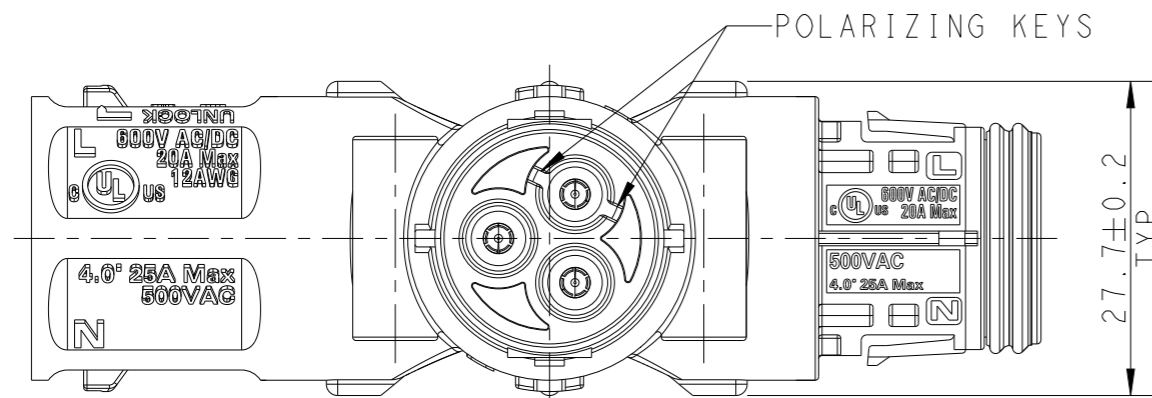
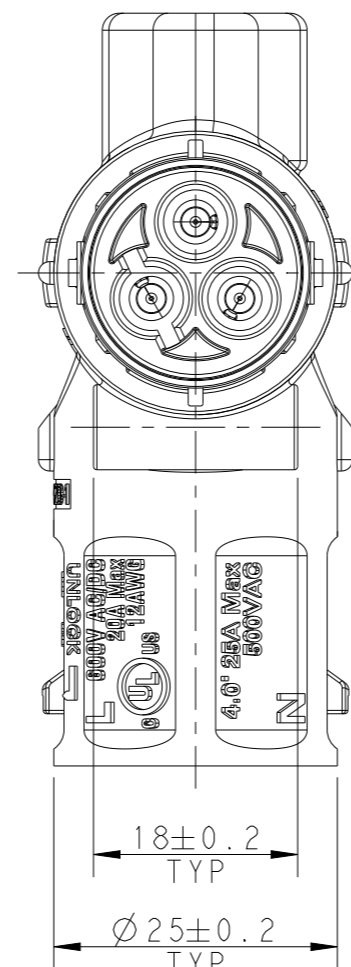
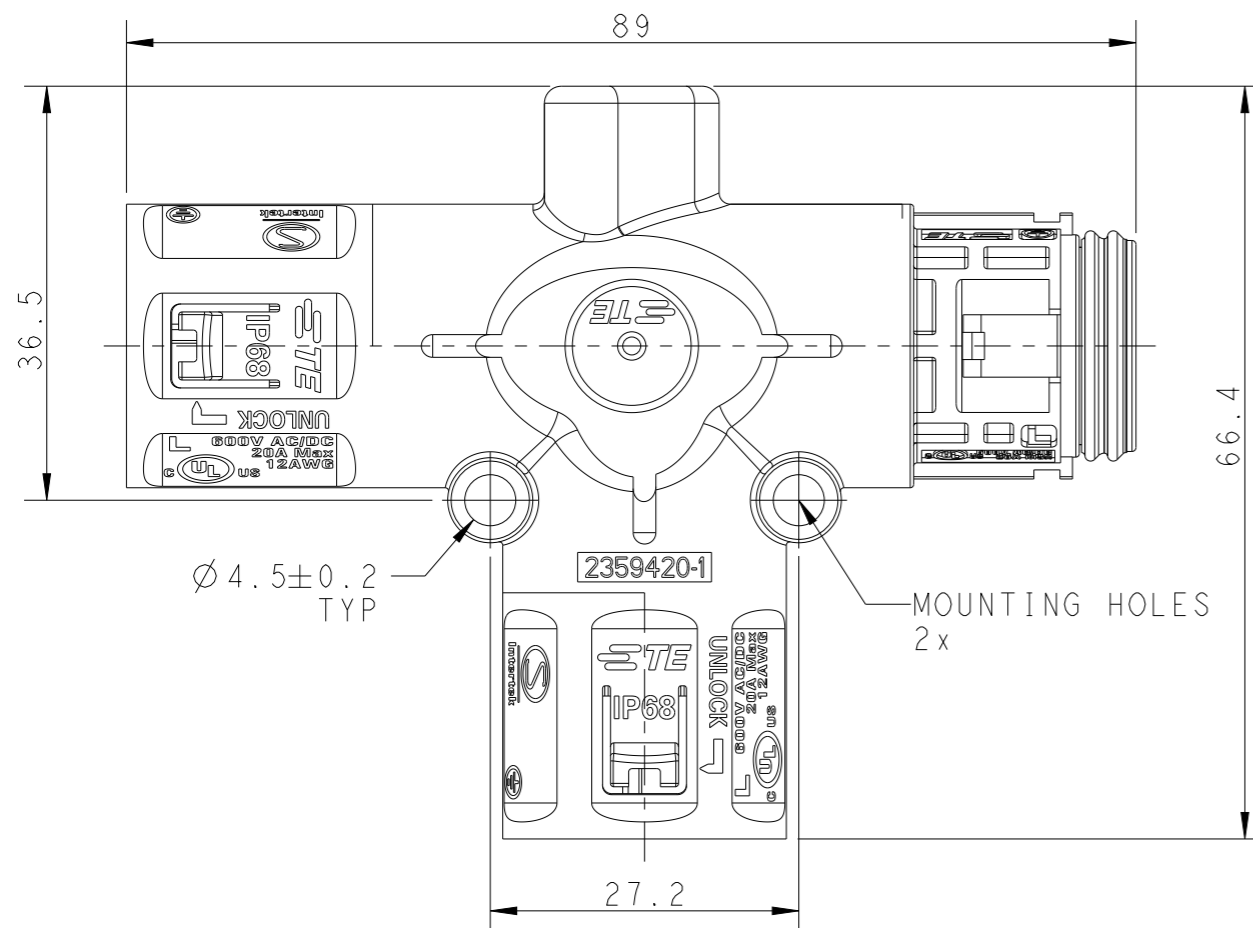


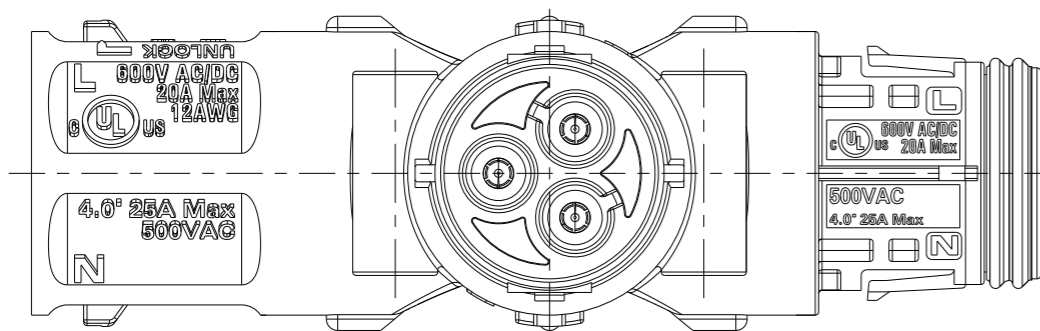
P	LTR	DESCRIPTION	DATE	DWN	APVD
1		INITIAL ISSUE	19AUG2020	SM	MZ
2		DRAFTING UPDATES	03SEP2020	SM	MZ
A		PRODUCT UNDER TESTING	24NOV2020	SM	MZ
A1		RELEASED	18MAR2022	SM	MZ

NOTES:

- MATERIALS:
PLASTICS: PBT+PC ALLOY, UL-V0, UV-F1
CONTACTS: COPPER ALLOY, TIN PLATED
- OPERATING RATINGS :
VOLTAGE (max): 600Vac Max
CURRENT (max): 25A ON 4.0mm² & 20A ON 12AWG
TEMPERATURE : -40°C TO 85°C
IP RATING : IP67 & IP68
- FOR ASSEMBLY INSTRUCTIONS, REFER APPLICATION SPECIFICATION 114-133123
- PACKAGING: PPQ 60 pcs IN TRAY



POLARIZING KEY A
2359420-1



POLARIZING KEY B
2359420-2

KEY B	T- SPLITTER	2359420-2
KEY A	T- SPLITTER	2359420-1
POLARIZING KEY	DESCRIPTION	PART NUMBER

THIS DRAWING IS A CONTROLLED DOCUMENT.

DIMENSIONS:	TOLERANCES UNLESS OTHERWISE SPECIFIED:
mm	
	0 PLC ±0.4
	1 PLC ±0.4
	2 PLC ±0.1
	3 PLC ±
	4 PLC ±
	ANGLES ±°
MATERIAL	FINISH
-	-
-	-

DWN	19AUG2020	TE Connectivity NAME NECTOR T, 3Pos, T-SPLITTER	RESTRICTED TO		
CHK	03SEP2020				
APVD	24NOV2020				
PRODUCT SPEC	108-133123				
APPLICATION SPEC	114-133123	SIZE	CAGE CODE	DRAWING NO	RESTRICTED TO
WEIGHT	-	A3	00779	C-2359420	-
CUSTOMER DRAWING	SCALE	SHEET	OF	REV	
	3:2	1	1	A1	