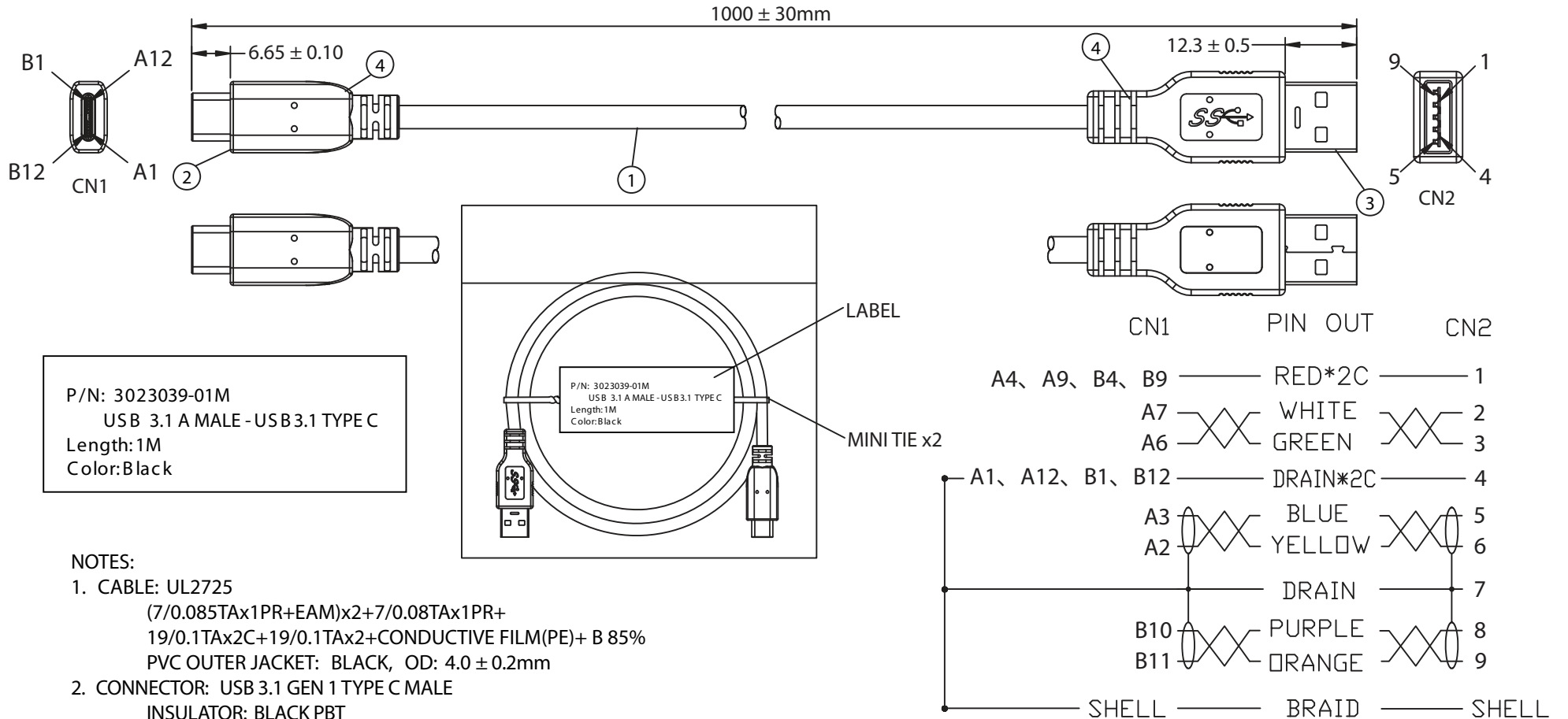


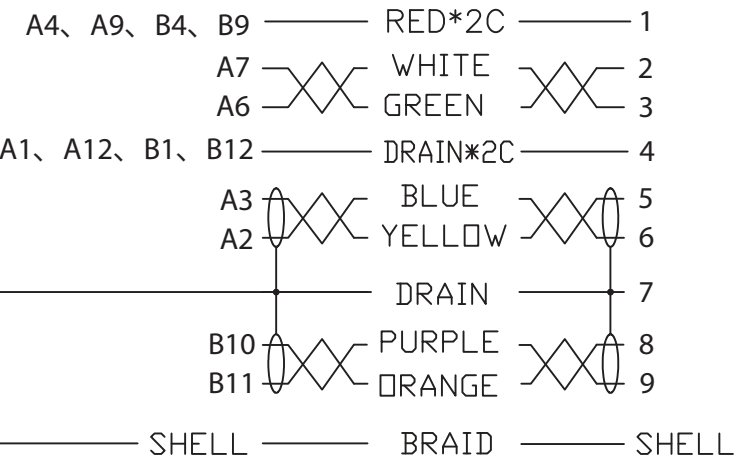
THESE DRAWINGS ARE THE PROPERTY OF QUALTEK ELECTRONICS AND NOT TO BE REPRODUCED FOR OR COMMUNICATED TO A THIRD PARTY WITHOUT THE EXPRESS WRITTEN PERMISSION OF AN OFFICER OF QUALTEK ELECTRONICS.

REVISION			
REV.	DESCRIPTION	DATE	APPROVED



P/N: 3023039-01M  
 USB 3.1 A MALE - USB3.1 TYPE C  
 Length:1M  
 Color:Black

- NOTES:
- CABLE: UL2725  
 (7/0.085TAX1PR+EAM)x2+7/0.08TAX1PR+  
 19/0.1TAX2C+19/0.1TAX2+CONDUCTIVE FILM(PE)+ B 85%  
 PVC OUTER JACKET: BLACK, OD: 4.0 ± 0.2mm
  - CONNECTOR: USB 3.1 GEN 1 TYPE C MALE  
 INSULATOR: BLACK PBT  
 PIN GOLD PLATED  
 NICKEL PLATED SHELL
  - CONNECTOR: USB 3.1 GEN 1 TYPE A MALE  
 INSULATOR: BLUE PBT  
 PIN GOLD PLATED  
 NICKEL PLATED SHELL
  - PVC MOLDED: COLOR V398 45P BLACK
  - ELECTRICAL TEST:  
 <1>.100% OPEN SHORT & MISS WIRE TEST
  - DATA TRANSFER RATE UP TO 5Gbps (NOMINAL)
  - CURRENT RATING UP TO 3A (NOMINAL)
  - VOLTAGE RATING UP TO 20V (NOMINAL)
  - PACKING: 1PC/POLYBAG W/ LABEL



**CONTROLLED**

Dim range (mm)	Tolerance +/- (mm)	Qualtek Electronics Corp. WCI DIVISION		
		Part Number: 3023039-01M	RoHS Compliant	
0-1	0.15	Description: USB 3.1(A)/M - USB 3.1 (C)/M		
1-6	0.20	UNIT: mm		
6-18	0.30	Drawn / Date	Checked / Date	Approved / Date
18-50	0.50	R. Nuti 08-24-15	08-24-15	LY / 08-24-15
50-120	0.70			
120-250	0.90			
250-500	1.20			