

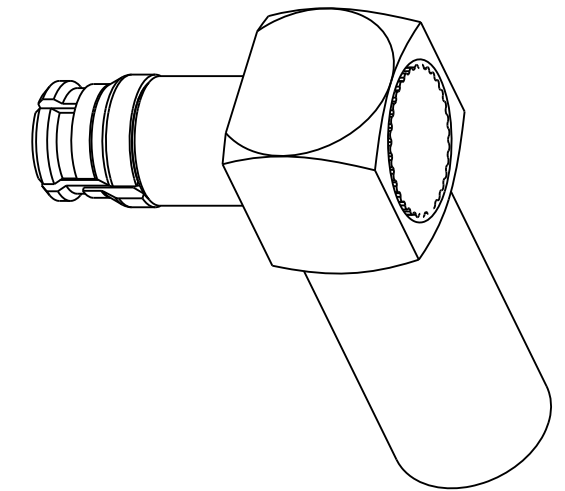
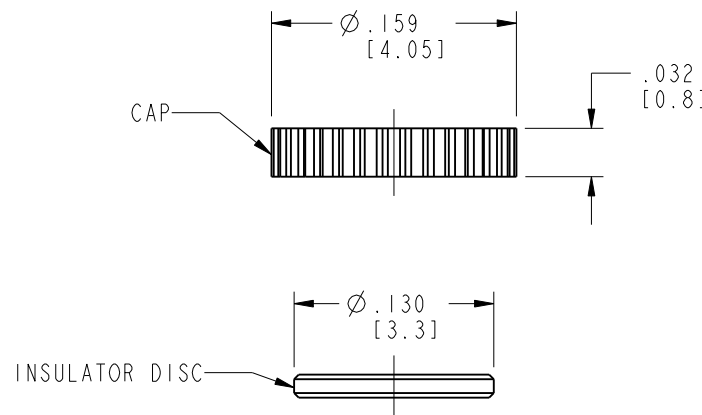
NOTES:

1. MATERIALS OF CONSTRUCTION:  
 HOUSING = BRASS, GOLD PLATED (.000004 MIN THICK)  
 BODY = BERYLLIUM COPPER, GOLD PLATED (.000004 MIN THICK)  
 CONTACT PIN = BERYLLIUM COPPER, GOLD PLATED (.000030 MIN THICK)  
 COVER = BRASS, GOLD PLATED (.000003 MIN THICK)  
 INSULATOR = PTFE, NATURAL
2. CABLE ASSEMBLY INSTRUCTIONS:  
 A. TRIM CABLE AS SHOWN  
 B. INSERT CABLE INTO BODY  
 C. CRIMP USING AMPHENOL TOOL 227-944 WITH DIE SET 227-1221-03, CAVITY 'A' (.151 HEX) FOR FERRULE  
 D. AFTER CRIMPING, SOLDER CABLE CENTER CONDUCTOR TO CONTACT, THE SOLDER MUST NOT PROTRUDE ABOVE THE CENTER CONTACT END SURFACE  
 E. PRESS INSULATOR DISC TO BODY UNTIL IT BOTTOMS  
 F. INSERT CAP UNTIL FLUSH WITH SURFACE OF BODY, INSERTION TOOLING MUST ENSURE THAT CAP SURFACE IS PARALLEL TO BODY SURFACE

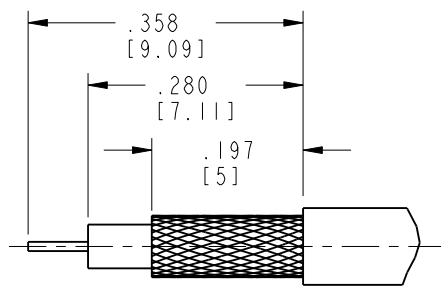
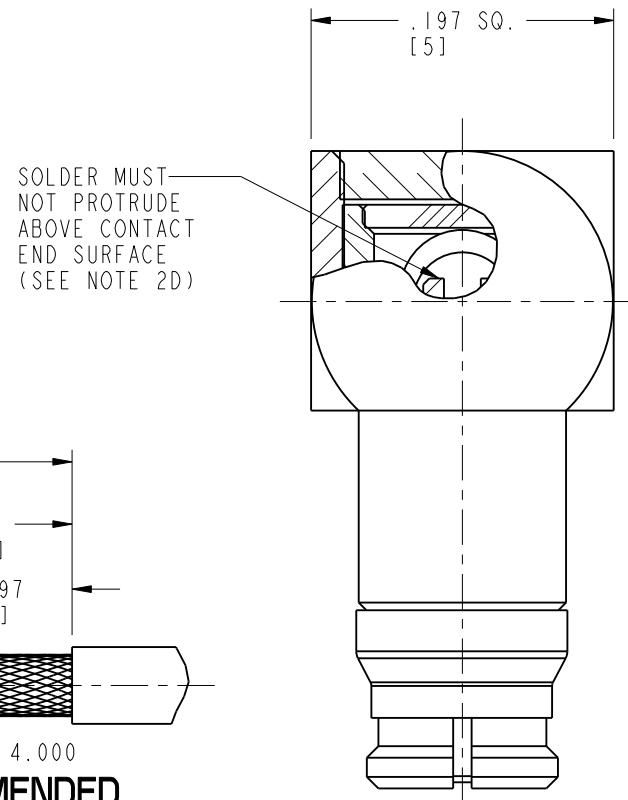
THIRD ANGLE PROJ.

REVISIONS

REV	DESCRIPTION	DATE	ECO	APPR
A	RELEASE TO MFG.	26-Apr-11	48537	TD

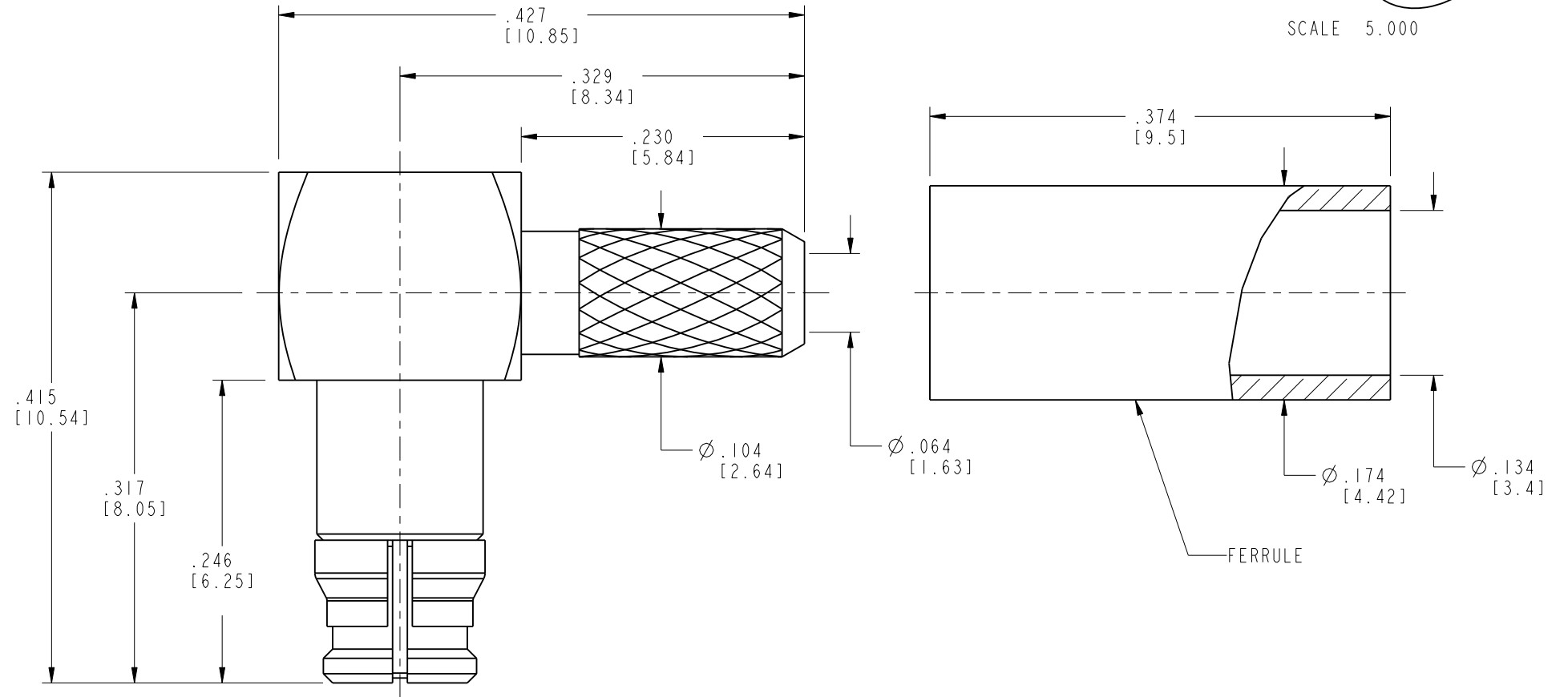


SCALE 5.000



SCALE 4.000

**RECOMMENDED  
CABLE STRIPPING DIMENSIONS**



**CUSTOMER OUTLINE DRAWING**

ALL OTHER SHEETS ARE FOR INTERNAL USE ONLY

UNLESS OTHERWISE SPECIFIED, DIMENSIONS ARE IN METRIC AND TOLERANCES ARE: <0.5mm ±0.05mm    0.5 - 6mm ±0.1mm    6 - 30mm ±0.2mm    30 - 120mm ±0.3mm    ANGLES ±1°	MATERIAL	DRAWN T. DENG	DATE 26-Apr-11	TITLE SMP R/A PLUG FOR RD-316 CABLE	Amphenol RF www.amphenolrf.com	
	REFERENCE EAR #2199    AND    615X-2307-100	ENGINEER R. RAJAN	DATE 26-Apr-11			
NOTICE - These drawings, specifications, or other data (1) are, and remain the property of Amphenol corp. (2) must be returned upon request; and (3) are confidential and not to be disclosed to any person other than those to whom they are given by Amphenol Corp. the furnishing of these drawings, specifications, or other data by Amphenol Corp., or to any other person to anyone for any purpose is not to be regarded by implication or otherwise in any manner licensing, granting rights to permitting such holder or any other person to manufacture, use or sell any product, process or design, patented or otherwise, that may in any way be related to or disclosed by said drawings, specifications, or other data.	CONFIGURATION LEVEL:	APPROVED S. HSIEH	DATE 04-May-11	SCALE: 8.0:1.0	SHEET 2 OF 2	
	FINISH	CAD FILE	DWG SIZE B	REV A	DRAWING NO. SMP-FR-B2	
					ITEM NO. SMP-FR-B2	
				PART NO. SMP-FR-B2		