

注記 NOTES:

- ① 材料及び仕上げ (めっき仕様) : TABLE 1, TABLE 2 参照
MATERIAL AND FINISHES (PLATING SPECIFICATION) : SEE TABLE 1, TABLE 2.
- ② 嵌合相手 : 505565シリーズ
MATE WITH: 505565 SERIES
- ③ 偶数極 に適用
APPLY TO EVEN CIRCUIT.
- ④ 製品仕様書 : 5055650002 PS 000
PRODUCT SPECIFICATION: 5055650002 PS 000
- ⑤ 発注番号 : SHEET 5 参照
ORDER NUMBER : PLEASE REFER TO SHEET 5

505568 ***

極数
CIRCUIT SIZE

| 番号 NO. | 接点部 金めっき厚 CONTACT GOLD PLATING THICKNESS [MICROMETER MINIMUM] |
|-----------|--|
| 8 | 0.1 |
| 3 | 0.38 |
| 5 | 0.76 |

| 番号 NO. | ハウジングカラー HOUSING COLOR |
|-----------|--------------------------------|
| 0 | ナチュラル(ベージュ) NATURAL (BEIGE) |
| 1 | 黒 BLACK |
| 2 | 赤 RED |
| 3 | 黄 YELLOW |
| 4 | 青 BLUE |
| 6 | 緑 GREEN |
| 8 | 橙 ORANGE |

- 6. ターミナルとネイルの平坦度は0.1mm以下
TERMINAL AND NAIL COPLANARITY : 0.1mm MAXIMUM.
- 7. コネクタ取扱説明書 : 5055650000-AS PS 000
APPLICATION SPECIFICATION: 5055650000-AS PS 000

奇数キャビティ : キャビティ番号及び金型番号
EVEN CAVITY : TRADE MARK

奇数キャビティ : トレードマーク
EVEN CAVITY : キャビティ番号及び金型番号

① TABLE 1

| 番号 NO. | 部品 PART | 材質 MATERIAL |
|-----------|----------------------|--|
| ① | ハウジング HOUSING | ポリアミド(PA), ガラス充填, UL94 V-0, 色 : SHEET 5 参照 POLYAMIDE (PA), GLASS FILLED, UL94 V-0, COLOR: SEE SHEET 5 |
| ② | ターミナル TERMINAL | 黄銅 BRASS |
| | | 接点部 : 金めっき めっき厚は注記5参照 CONTACT : GOLD PLATING PLATING THICKNESS : SEE NOTE 5. |
| | | ニッケルめっき(下地めっき) : 1.0 MICROMETER MINIMUM NICKEL PLATING (UNDER PLATING) |
| ③ | ネイル NAIL | 黄銅 BRASS |
| | | 錫めっき : 1.0 MICROMETER MINIMUM MATTE TIN PLATING |
| | | ニッケルめっき(下地めっき) : 1.0 MICROMETER MINIMUM NICKEL PLATING (UNDER PLATING) |
| ④ | カバーテープ COVER TAPE | ポリイミド POLYIMIDE |

| | | | | | | | | |
|------|------|------|------------------------------------|----|-------|-------|-------|--------------------|
| 49.4 | 45.4 | 20.2 | 44±0.3 | 12 | 22.2 | 18.75 | 23.25 | 16 |
| | | | | | 20.95 | 17.5 | 22 | 15 |
| | | | | | 19.7 | 16.25 | 20.75 | 14 |
| 37.4 | 33.4 | 14.2 | 32±0.3 | 10 | 18.45 | 15 | 19.5 | 13 |
| | | | | | 17.2 | 13.75 | 18.25 | 12 |
| | | | | | 15.95 | 12.5 | 17 | 11 |
| 29.4 | 25.4 | 11.5 | 24 ^{+0.3} _{-0.1} | 8 | 14.7 | 11.25 | 15.75 | 10 |
| | | | | | 13.45 | 10 | 14.5 | 9 |
| | | | | | 12.2 | 8.75 | 13.25 | 8 |
| 21.4 | 17.4 | 7.5 | 16 ^{+0.3} _{-0.1} | 7 | 10.95 | 7.5 | 12 | 7 |
| | | | | | 9.7 | 6.25 | 10.75 | 6 |
| | | | | | 8.45 | 5 | 9.5 | 5 |
| H | G | F | E | D | 7.2 | 3.75 | 8.25 | 4 |
| | | | | | 5.95 | 2.5 | 7 | 3 |
| | | | | | 4.7 | 1.25 | 5.75 | 2 |
| | | | | | | | | 極数 CIRCUIT SIZE |

THIS DRAWING CONTAINS INFORMATION THAT IS PROPRIETARY TO MOLEX ELECTRONIC TECHNOLOGIES, LLC AND SHOULD NOT BE USED WITHOUT WRITTEN PERMISSION

| | | | | | |
|--|--------|-----------------------------|---|--|--|
| DIMENSION UNITS | SCALE | CURRENT REV DESC: | molex | | |
| mm | NTS | | | | |
| GENERAL TOLERANCES (UNLESS SPECIFIED) | | | MICRO-LOCK PLUS 1.25 W/B SINGLE ROW VERTICAL SMT PLUG ASSEMBLY GOLD PLATING | | |
| ANGULAR TOL | ± 3.0° | | PRODUCT CUSTOMER DRAWING | | |
| 4 PLACES | ± 0.2 | EC NO: 736271 | DOCUMENT NUMBER | | |
| 3 PLACES | ± 0.2 | DRWN: SOKUMURA01 2022/12/27 | DOC TYPE DOC PART REVISION | | |
| 2 PLACES | ± 0.2 | CHK'D: SAKIYAMA 2023/02/16 | 5055680010-SD PSD 000 D | | |
| 1 PLACE | ± 0.2 | APPR: AIDA 2023/02/16 | | | |
| 0 PLACES | ± 0.2 | INITIAL REVISION: | | | |
| DRAFT WHERE APPLICABLE MUST REMAIN WITHIN DIMENSIONS | | | SHEET NUMBER | | |
| THIRD ANGLE PROJECTION | | | 1 OF 5 | | |
| DRAWING | | | SERIES | | |
| A3-SIZE | | | 505568 | | |
| MATERIAL NUMBER | | | CUSTOMER | | |
| SEE SHEET 5 | | | GENERAL | | |

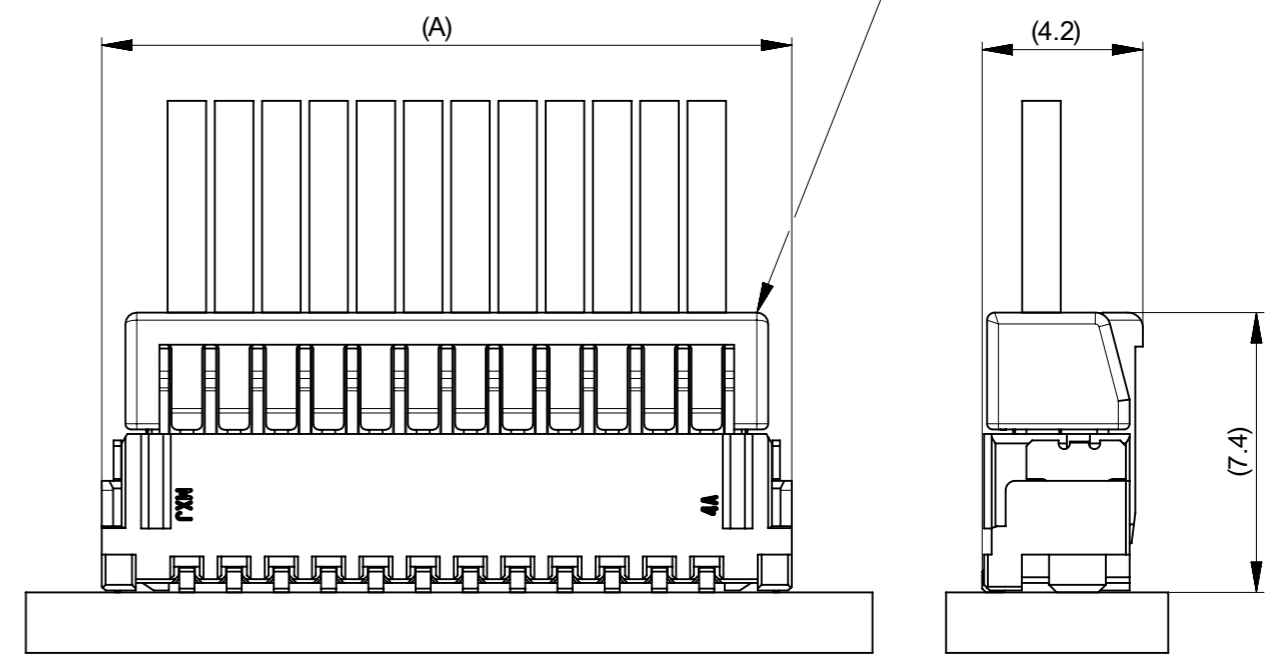


**推奨基板レイアウト
RECOMMENDED PCB PATTERN LAYOUT**

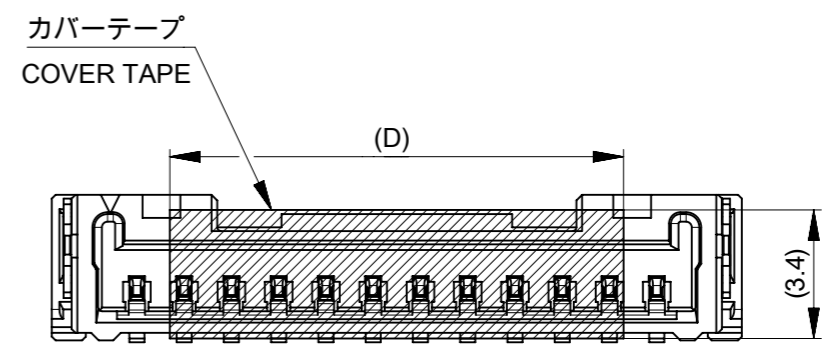
(参考: 基板厚1.6mm, メタルマスク厚さ 0.15mm, マスク開口率 100%)
(REFERENCE: PCB THICKNESS 1.6mm, STENCIL THICKNESS 0.15mm, APERTURE RATIO 100%)

パターン非推奨エリア
パターンを引き回す際は、製品機能に影響がないことをご確認ください。
PATTERN IS NOT RECOMMENDED ON THE HATCHING AREA
PLEASE CHECK NOT TO HAVE PROBLEM FOR PRODUCT FUNCTION
WHEN SETTING PATTERN ON THE HATCHING AREA.

△ 2 嵌合相手 505565シリーズ
MATE WITH : 505565 SERIES



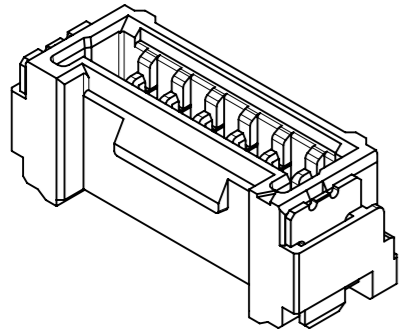
嵌合状態図
MATED CONNECTORS



吸着範囲
SUCTION AREA

| | | | | | | | | | |
|---|--|---------------------|--|--|--|------------|--|------------------|--|
| THIS DRAWING CONTAINS INFORMATION THAT IS PROPRIETARY TO MOLEX ELECTRONIC TECHNOLOGIES, LLC AND SHOULD NOT BE USED WITHOUT WRITTEN PERMISSION | | | | | | | | | |
| DIMENSION UNITS mm | | SCALE NTS | | CURRENT REV DESC: | | | | | |
| GENERAL TOLERANCES (UNLESS SPECIFIED) | | | | <p>molex</p> <p>MICRO-LOCK PLUS 1.25 W/B SINGLE ROW VERTICAL SMT PLUG ASSEMBLY GOLD PLATING</p> <p>PRODUCT CUSTOMER DRAWING</p> | | | | | |
| ANGULAR TOL | | ± 3.0 ° | | | | | | | |
| 4 PLACES | | ± 0.2 | | | | | | | |
| 3 PLACES | | ± 0.2 | | | | | | | |
| 2 PLACES | | ± 0.2 | | | | | | | |
| 1 PLACE | | ± 0.2 | | EC NO: 736271 | | 2022/12/27 | | DRWN: SOKUMURA01 | |
| 0 PLACES | | ± 0.2 | | CHK'D: SAKIYAMA | | 2023/02/16 | | APPR: AIDA | |
| DRAFT WHERE APPLICABLE MUST REMAIN WITHIN DIMENSIONS | | | | THIRD ANGLE PROJECTION | | DRAWING | | SERIES | |
| DOCUMENT STATUS | | P1 | | RELEASE DATE | | 2023/02/16 | | 15:22:45 | |
| DOCUMENT NUMBER | | 5055680010-SD | | DOC TYPE | | PSD | | DOC PART | |
| MATERIAL NUMBER | | SEE SHEET 5 | | CUSTOMER | | GENERAL | | REVISION | |
| SHEET NUMBER | | 2 OF 5 | | INITIAL REVISION: | | 2017/11/28 | | 2017/12/06 | |
| DRAWING | | A3-SIZE | | SERIES | | 505568 | | SHEET NUMBER | |

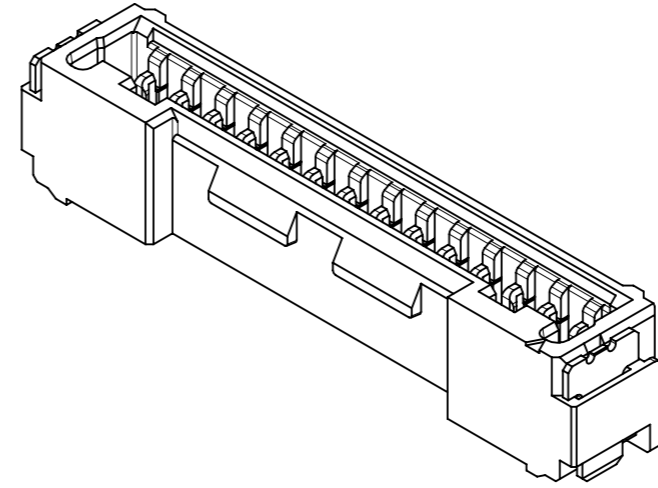
製品形状
PRODUCT SHAPE



2-11極
2-11 CIRCUIT



12-13極
12-13 CIRCUIT

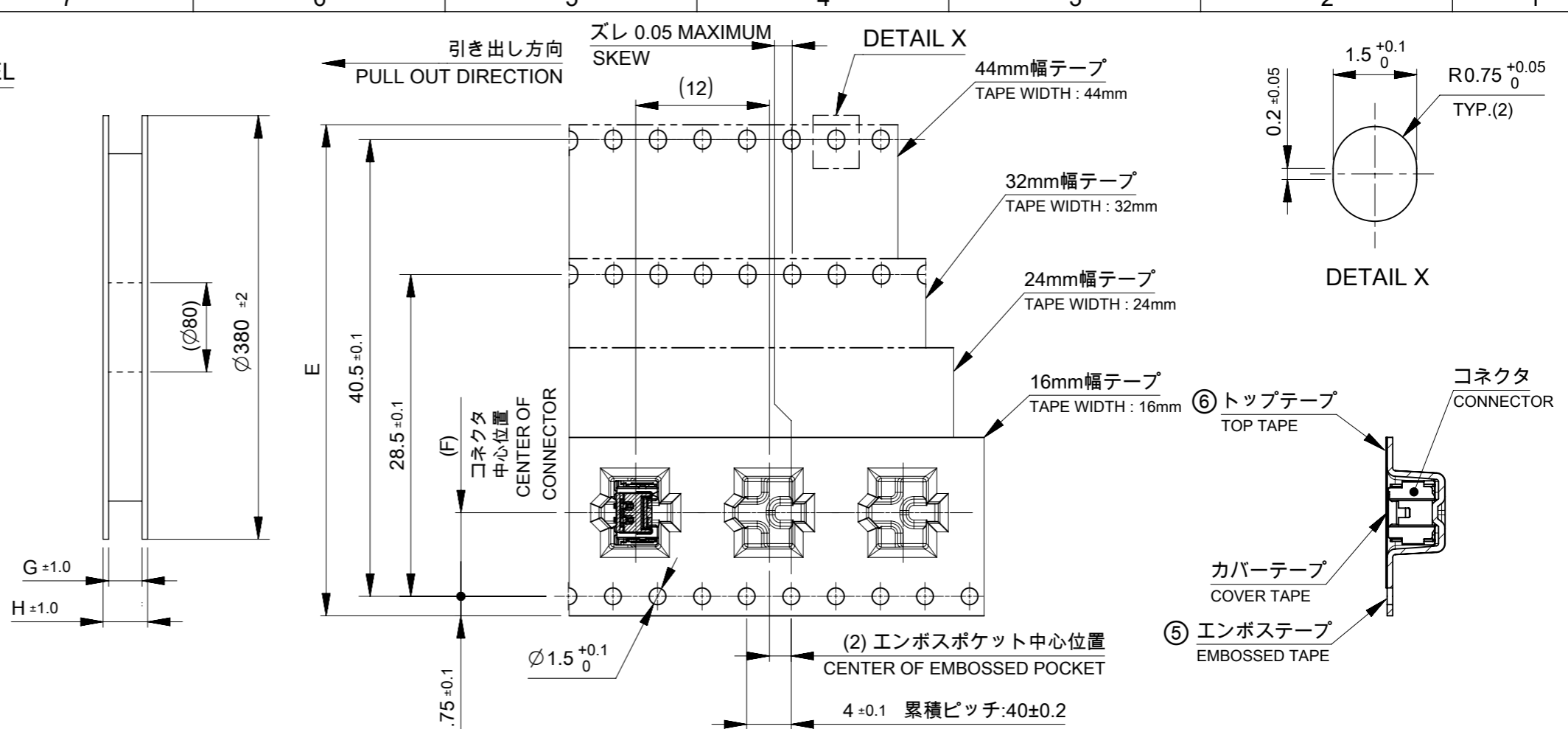
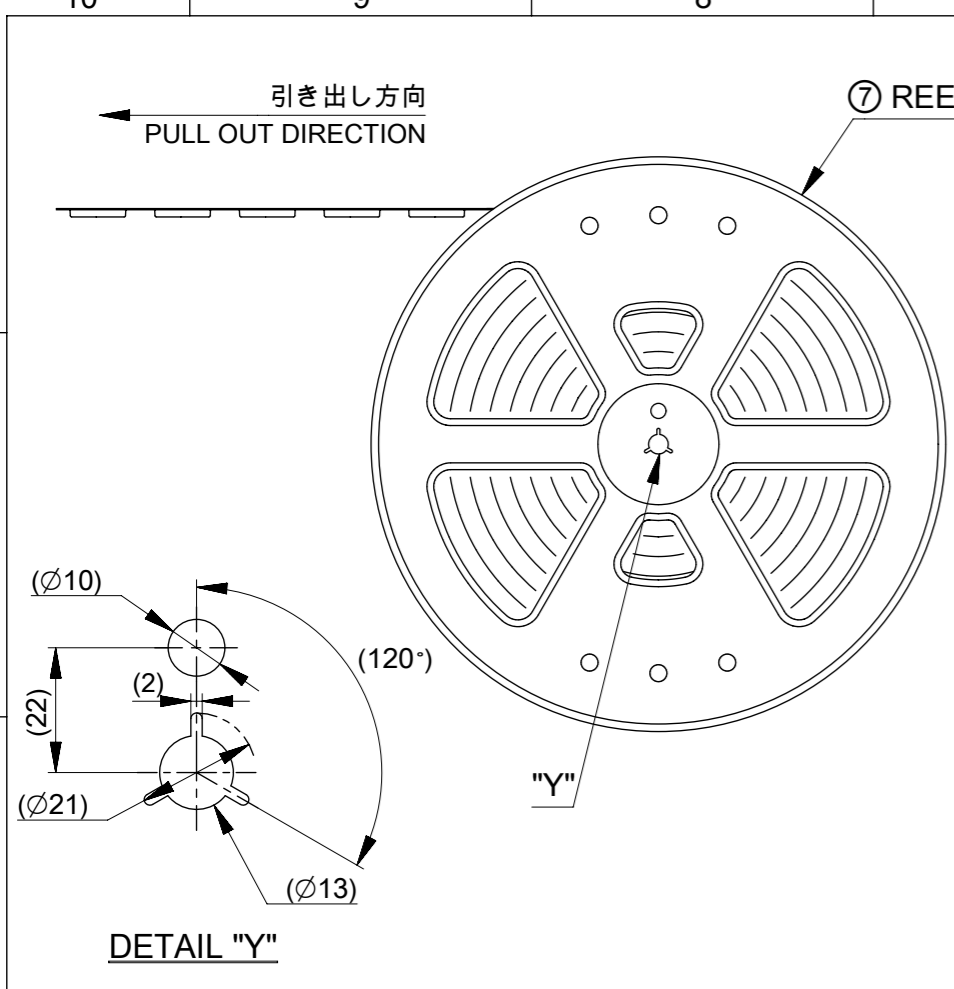


14極
14 CIRCUIT



15-16極
15-16 CIRCUIT

| | | | | | | | | | |
|---|--|------------------------|--|------------------------------|--|----------|--|---|--|
| THIS DRAWING CONTAINS INFORMATION THAT IS PROPRIETARY TO MOLEX ELECTRONIC TECHNOLOGIES, LLC AND SHOULD NOT BE USED WITHOUT WRITTEN PERMISSION | | | | | | | | | |
| DIMENSION UNITS | | SCALE | | CURRENT REV DESC: | | | | | |
| mm | | NTS | | | | | | | |
| GENERAL TOLERANCES (UNLESS SPECIFIED) | | | | EC NO: 736271 | | | | MICRO-LOCK PLUS 1.25 W/B SINGLE ROW VERTICAL SMT PLUG ASSEMBLY GOLD PLATING | |
| ANGULAR TOL ± 3.0 ° | | | | DRWN: SOKUMURA01 2022/12/27 | | | | | |
| 4 PLACES ± 0.2 | | | | CHK'D: SAKIYAMA 2023/02/16 | | | | PRODUCT CUSTOMER DRAWING | |
| 3 PLACES ± 0.2 | | | | APPR: AIDA 2023/02/16 | | | | | |
| 2 PLACES ± 0.2 | | | | INITIAL REVISION: | | | | DOCUMENT NUMBER | |
| 1 PLACE ± 0.2 | | | | DRWN: RWATANABE01 2017/11/28 | | | | 5055680010-SD | |
| 0 PLACES ± 0.2 | | | | APPR: TKANEKO 2017/12/06 | | | | PSD 000 D | |
| DRAFT WHERE APPLICABLE MUST REMAIN WITHIN DIMENSIONS | | THIRD ANGLE PROJECTION | | DRAWING | | SERIES | | MATERIAL NUMBER | |
| | | | | A3-SIZE | | 505568 | | SEE SHEET 5 | |
| | | | | | | CUSTOMER | | SHEET NUMBER | |
| | | | | | | GENERAL | | 3 OF 5 | |



注記 NOTES

- 8. 梱包数量 : 1200個 / リール
NUMBER OF CONNECTORS : 1200 PCS/REEL.
 - 9. リードテープ長さ
LEAD TAPE LENGTH.
-
- 10. トップテープの剥離強度はIEC60286-3に準拠
TOP TAPE PEELING FORCE IS DEFINED BY IEC60286-3
 - 11. 梱包仕様書 : 5055689200 PS 200
PACKING SPECIFICATION : 5055689200 PS 200

TABLE 2

| 番号 NO. | 部品 PART | 材質 MATERIAL |
|--------|-----------------------|---|
| ⑤ | エンボステープ EMBOSSED TAPE | ポリスチレン(PS) POLYSTYRENE(PS) |
| ⑥ | トップテープ TOP TAPE | ポリエチレン(PE), その他 POLYETHYLENE(PE), ETC |
| ⑦ | リール REEL | ポリスチレン(PS) <リサイクル材を含む> POLYSTYRENE(PS) < RECYCLE MATERIAL CONTAINED > |

THIS DRAWING CONTAINS INFORMATION THAT IS PROPRIETARY TO MOLEX ELECTRONIC TECHNOLOGIES, LLC AND SHOULD NOT BE USED WITHOUT WRITTEN PERMISSION

| | | | |
|--|---------|-------------------|-----------------|
| DIMENSION UNITS | SCALE | CURRENT REV DESC: | |
| mm | NTS | | |
| GENERAL TOLERANCES (UNLESS SPECIFIED) | | | |
| ANGULAR TOL | ± 3.0 ° | | |
| 4 PLACES | ± 0.2 | EC NO: 736271 | |
| 3 PLACES | ± 0.2 | DRWN: SOKUMURA01 | 2022/12/27 |
| 2 PLACES | ± 0.2 | CHK'D: SAKIYAMA | 2023/02/16 |
| 1 PLACE | ± 0.2 | APPR: AIDA | 2023/02/16 |
| 0 PLACES | ± 0.2 | INITIAL REVISION: | |
| DRAFT WHERE APPLICABLE MUST REMAIN WITHIN DIMENSIONS | | DRWN: RWATANABE01 | 2017/11/28 |
| THIRD ANGLE PROJECTION | | APPR: TKANEKO | 2017/12/06 |
| DRAWING | | SERIES | MATERIAL NUMBER |
| A3-SIZE | | 505568 | 5055680010-SD |
| CUSTOMER | | DOCUMENT NUMBER | DOC TYPE |
| GENERAL | | PSD | 000 |
| SHEET NUMBER | | 4 OF 5 | |

molex

MICRO-LOCK PLUS 1.25 W/B
SINGLE ROW VERTICAL SMT PLUG ASSEMBLY
GOLD PLATING

PRODUCT CUSTOMER DRAWING

5055680010-SD

△ 505568**8* 発注番号一覧 ORDER NUMBER LIST


| ORANGE | GREEN | BLUE | YELLOW | RED | BLACK | NATURAL (BEIGE) | HOUSING COLOR |
|--|------------|------------|------------|------------|------------|-----------------|--------------------|
| 5055681688 | 5055681686 | 5055681684 | 5055681683 | 5055681682 | 5055681681 | 5055681680 | 16 |
| 5055681588 | 5055681586 | 5055681584 | 5055681583 | 5055681582 | 5055681581 | 5055681580 | 15 |
| 5055681488 | 5055681486 | 5055681484 | 5055681483 | 5055681482 | 5055681481 | 5055681480 | 14 |
| 5055681388 | 5055681386 | 5055681384 | 5055681383 | 5055681382 | 5055681381 | 5055681380 | 13 |
| 5055681288 | 5055681286 | 5055681284 | 5055681283 | 5055681282 | 5055681281 | 5055681280 | 12 |
| 5055681188 | 5055681186 | 5055681184 | 5055681183 | 5055681182 | 5055681181 | 5055681180 | 11 |
| 5055681088 | 5055681086 | 5055681084 | 5055681083 | 5055681082 | 5055681081 | 5055681080 | 10 |
| 5055680988 | 5055680986 | 5055680984 | 5055680983 | 5055680982 | 5055680981 | 5055680980 | 9 |
| 5055680888 | 5055680886 | 5055680884 | 5055680883 | 5055680882 | 5055680881 | 5055680880 | 8 |
| 5055680788 | 5055680786 | 5055680784 | 5055680783 | 5055680782 | 5055680781 | 5055680780 | 7 |
| 5055680688 | 5055680686 | 5055680684 | 5055680683 | 5055680682 | 5055680681 | 5055680680 | 6 |
| 5055680588 | 5055680586 | 5055680584 | 5055680583 | 5055680582 | 5055680581 | 5055680580 | 5 |
| 5055680488 | 5055680486 | 5055680484 | 5055680483 | 5055680482 | 5055680481 | 5055680480 | 4 |
| 5055680388 | 5055680386 | 5055680384 | 5055680383 | 5055680382 | 5055680381 | 5055680380 | 3 |
| 5055680288 | 5055680286 | 5055680284 | 5055680283 | 5055680282 | 5055680281 | 5055680280 | 2 |
| 発注番号 : ORDER NUMBER | | | | | | | 極数 CIRCUIT SIZE |
| 梱包形態 : エンボステープ梱包 PACKAGING : EMBOSSED TAPE AND REEL | | | | | | | |

△ 505568**5* 発注番号一覧 ORDER NUMBER LIST

| ORANGE | GREEN | BLUE | YELLOW | RED | BLACK | NATURAL (BEIGE) | HOUSING COLOR |
|--|------------|------------|------------|------------|------------|-----------------|--------------------|
| 5055681658 | 5055681656 | 5055681654 | 5055681653 | 5055681652 | 5055681651 | 5055681650 | 16 |
| 5055681558 | 5055681556 | 5055681554 | 5055681553 | 5055681552 | 5055681551 | 5055681550 | 15 |
| 5055681458 | 5055681456 | 5055681454 | 5055681453 | 5055681452 | 5055681451 | 5055681450 | 14 |
| 5055681358 | 5055681356 | 5055681354 | 5055681353 | 5055681352 | 5055681351 | 5055681350 | 13 |
| 5055681258 | 5055681256 | 5055681254 | 5055681253 | 5055681252 | 5055681251 | 5055681250 | 12 |
| 5055681158 | 5055681156 | 5055681154 | 5055681153 | 5055681152 | 5055681151 | 5055681150 | 11 |
| 5055681058 | 5055681056 | 5055681054 | 5055681053 | 5055681052 | 5055681051 | 5055681050 | 10 |
| 5055680958 | 5055680956 | 5055680954 | 5055680953 | 5055680952 | 5055680951 | 5055680950 | 9 |
| 5055680858 | 5055680856 | 5055680854 | 5055680853 | 5055680852 | 5055680851 | 5055680850 | 8 |
| 5055680758 | 5055680756 | 5055680754 | 5055680753 | 5055680752 | 5055680751 | 5055680750 | 7 |
| 5055680658 | 5055680656 | 5055680654 | 5055680653 | 5055680652 | 5055680651 | 5055680650 | 6 |
| 5055680558 | 5055680556 | 5055680554 | 5055680553 | 5055680552 | 5055680551 | 5055680550 | 5 |
| 5055680458 | 5055680456 | 5055680454 | 5055680453 | 5055680452 | 5055680451 | 5055680450 | 4 |
| 5055680358 | 5055680356 | 5055680354 | 5055680353 | 5055680352 | 5055680351 | 5055680350 | 3 |
| 5055680258 | 5055680256 | 5055680254 | 5055680253 | 5055680252 | 5055680251 | 5055680250 | 2 |
| 発注番号 : ORDER NUMBER | | | | | | | 極数 CIRCUIT SIZE |
| 梱包形態 : エンボステープ梱包 PACKAGING : EMBOSSED TAPE AND REEL | | | | | | | |

△ 505568**3* 発注番号一覧 ORDER NUMBER LIST

| ORANGE | GREEN | BLUE | YELLOW | RED | BLACK | NATURAL (BEIGE) | HOUSING COLOR |
|--|------------|------------|------------|------------|------------|-----------------|--------------------|
| 5055681638 | 5055681636 | 5055681634 | 5055681633 | 5055681632 | 5055681631 | 5055681630 | 16 |
| 5055681538 | 5055681536 | 5055681534 | 5055681533 | 5055681532 | 5055681531 | 5055681530 | 15 |
| 5055681438 | 5055681436 | 5055681434 | 5055681433 | 5055681432 | 5055681431 | 5055681430 | 14 |
| 5055681338 | 5055681336 | 5055681334 | 5055681333 | 5055681332 | 5055681331 | 5055681330 | 13 |
| 5055681238 | 5055681236 | 5055681234 | 5055681233 | 5055681232 | 5055681231 | 5055681230 | 12 |
| 5055681138 | 5055681136 | 5055681134 | 5055681133 | 5055681132 | 5055681131 | 5055681130 | 11 |
| 5055681038 | 5055681036 | 5055681034 | 5055681033 | 5055681032 | 5055681031 | 5055681030 | 10 |
| 5055680938 | 5055680936 | 5055680934 | 5055680933 | 5055680932 | 5055680931 | 5055680930 | 9 |
| 5055680838 | 5055680836 | 5055680834 | 5055680833 | 5055680832 | 5055680831 | 5055680830 | 8 |
| 5055680738 | 5055680736 | 5055680734 | 5055680733 | 5055680732 | 5055680731 | 5055680730 | 7 |
| 5055680638 | 5055680636 | 5055680634 | 5055680633 | 5055680632 | 5055680631 | 5055680630 | 6 |
| 5055680538 | 5055680536 | 5055680534 | 5055680533 | 5055680532 | 5055680531 | 5055680530 | 5 |
| 5055680438 | 5055680436 | 5055680434 | 5055680433 | 5055680432 | 5055680431 | 5055680430 | 4 |
| 5055680338 | 5055680336 | 5055680334 | 5055680333 | 5055680332 | 5055680331 | 5055680330 | 3 |
| 5055680238 | 5055680236 | 5055680234 | 5055680233 | 5055680232 | 5055680231 | 5055680230 | 2 |
| 発注番号 : ORDER NUMBER | | | | | | | 極数 CIRCUIT SIZE |
| 梱包形態 : エンボステープ梱包 PACKAGING : EMBOSSED TAPE AND REEL | | | | | | | |

| | | | | | | | | | |
|---|--|------------------------|--|--|--|-----------------|--|-----------------|--|
| THIS DRAWING CONTAINS INFORMATION THAT IS PROPRIETARY TO MOLEX ELECTRONIC TECHNOLOGIES, LLC AND SHOULD NOT BE USED WITHOUT WRITTEN PERMISSION | | | | | | | | | |
| DIMENSION UNITS | | SCALE | | CURRENT REV DESC: | | | | | |
| mm | | NTS | |  MICRO-LOCK PLUS 1.25 W/B SINGLE ROW VERTICAL SMT PLUG ASSEMBLY GOLD PLATING PRODUCT CUSTOMER DRAWING | | | | | |
| GENERAL TOLERANCES (UNLESS SPECIFIED) | | | | | | | | | |
| ANGULAR TOL ± 3.0 ° | | | | | | | | | |
| 4 PLACES ± 0.2 | | 3 PLACES ± 0.2 | | | | | | | |
| 2 PLACES ± 0.2 | | 1 PLACE ± 0.2 | | | | | | | |
| 0 PLACES ± 0.2 | | INITIAL REVISION: | | | | DOCUMENT NUMBER | | DOC TYPE | |
| DRAFT WHERE APPLICABLE MUST REMAIN WITHIN DIMENSIONS | | THIRD ANGLE PROJECTION | | DRAWING | | SERIES | | MATERIAL NUMBER | |
| | | A3-SIZE | | 505568 | | SEE CHART | | GENERAL | |
| EC NO: 736271 | | DRWN: SOKUMURA01 | | 2022/12/27 | | CHK'D: SAKIYAMA | | 2023/02/16 | |
| APPR: AIDA | | 2023/02/16 | | 2017/11/28 | | 2017/12/06 | | 5055680010-SD | |
| APPR: TKANEKO | | | | | | | | PSD 000 D | |
| | | | | | | | | SHEET NUMBER | |
| | | | | | | | | 5 OF 5 | |