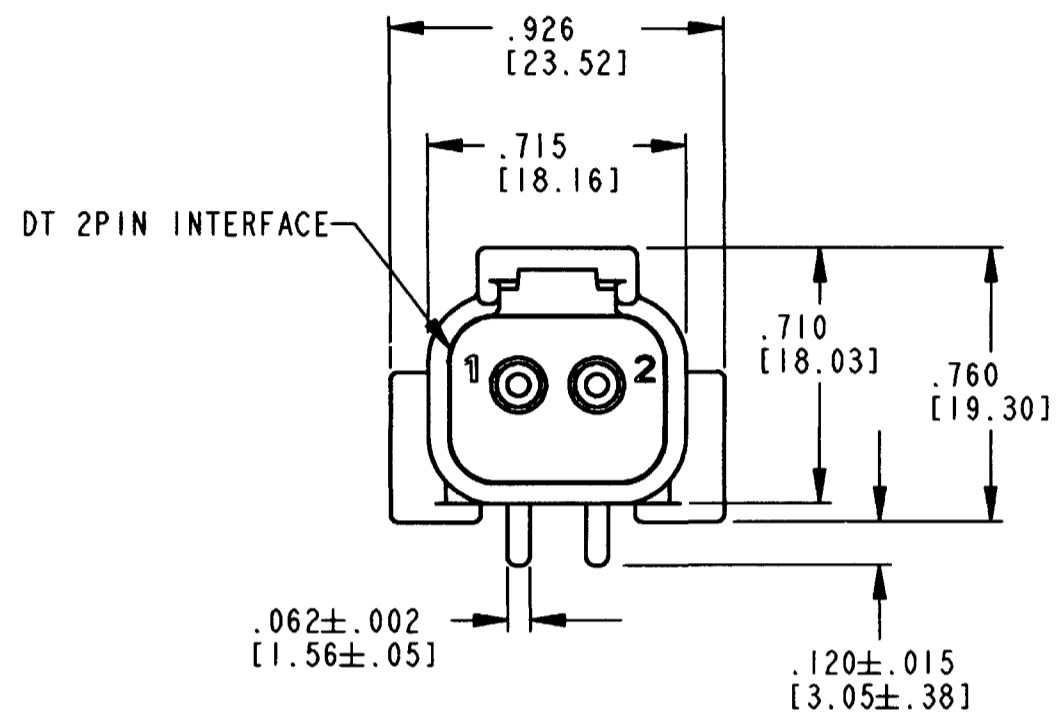
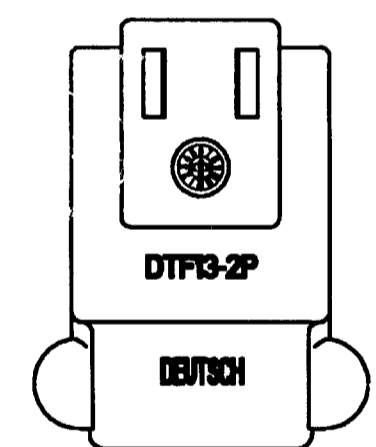
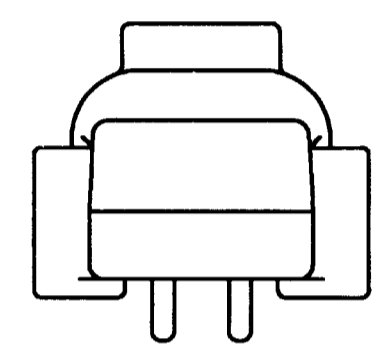
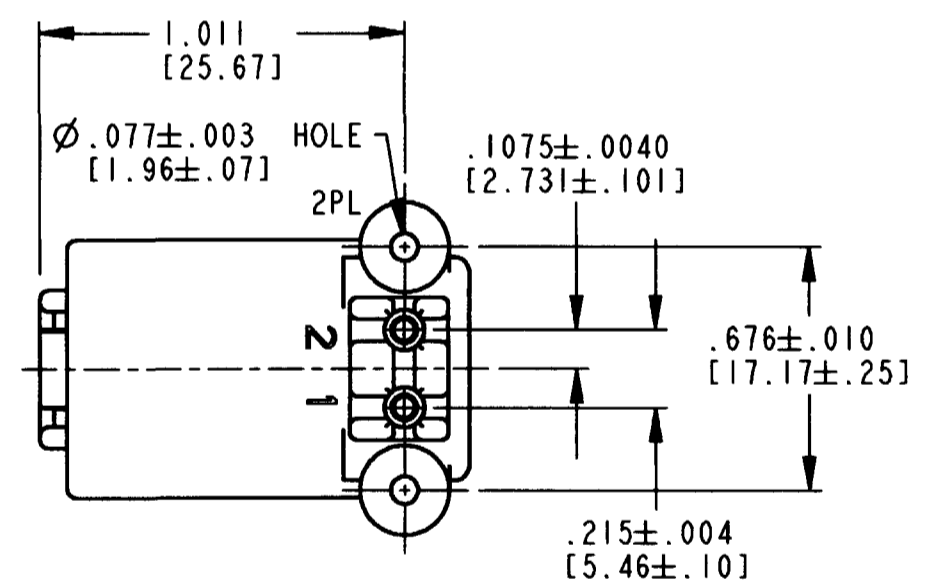
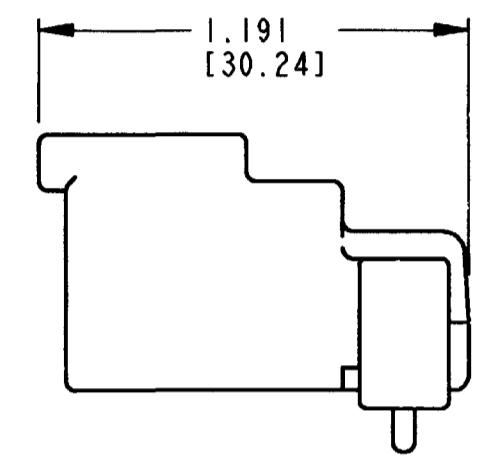
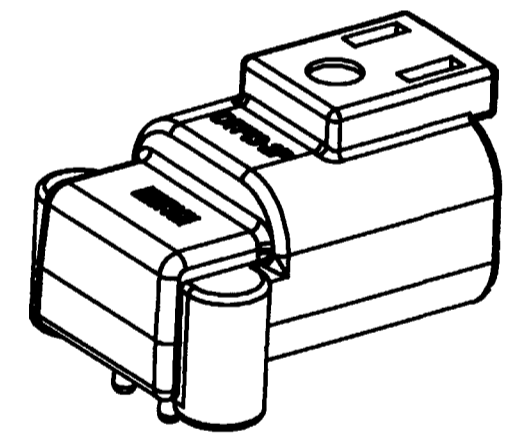


REV	DTF13-2P	REVISIONS			
NC		SYM	DESCRIPTION	DATE	APPROVED
		NC	NEW RELEASE PER E.O. PI6803	7/12/00	<i>[Signature]</i>



3D VIEW



- NOTES:
1. ALL DIMENSIONS ARE IN INCHES [METRIC].
 2. DIMENSIONS ARE ±.025[±.63] UNLESS OTHERWISE SPECIFIED.
 3. Ø.077 [Ø1.96] REF HOLE ARE FOR SIZE 2 SCREWS.
 4. CONNECTOR MATES WITH THE DT06-2S-**** AND USES WEDGE PART NO. W2S. (**** = ALL MODIFICATIONS) CONSULT FACTORY FOR MODIFICATIONS.
 5. MATERIALS: HOUSING - HIGH TEMPERATURE NYLON BLACK
PINS - TIN PLATED

DR	M. GONZALEZ 8/8/00	90° RECEPTACLE FLANGELESS 2 PIN CONNECTOR DTF SERIES 16 SIZE KEY NONE COLOR BLACK	CP	MTL. CODE					
CHK	<i>[Signature]</i>		The Deutsch Company DEUTSCH I.P.D. 3850 INDUSTRIAL AVE. HEMET, CALIF. 92545	B	DTF13-2P				
PE	<i>[Signature]</i> 8/14/00					DWG SIZE	CODE	SHEET	OF
APPD	<i>[Signature]</i> 8/14/00					NONE	11139		
SCALE	NONE	WT							

ENVELOPE