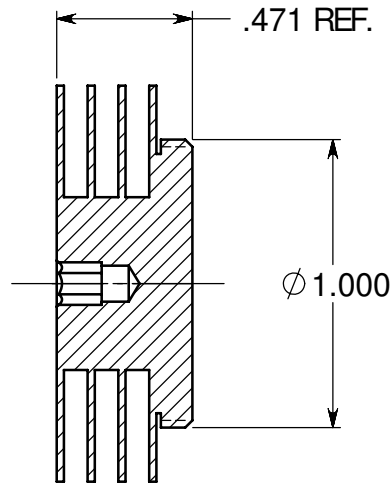
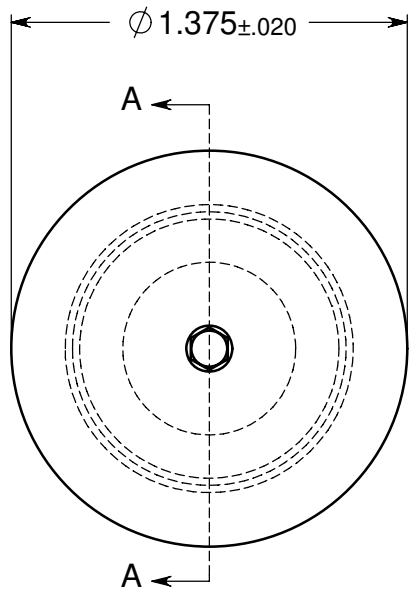
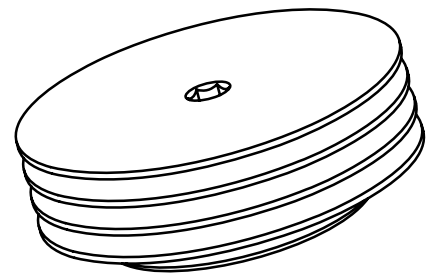


REVISION(S)			
LTR	DESCRIPTION	INIT	APP'D
A	NEW RELEASE	SCG 9/20/01	C.R 9/20/01
B	ECN: 0S60-0045-05	E.T 2/15/05	B.P 2/16/05
C	ERN#: 112890	E.T 12/15/08	S.D 12/15/08
C1	ECR-09-000320	E.T 1/7/09	B.S 1/7/09



SECTION A-A



- NOTE: UNLESS OTHERWISE SPECIFIED:
1. INTERPRET DRAWING PER ASME Y14.5M - 1994.
 2. RoHS COMPLIANT AND CERTIFIED.

CUSTOMER DRAWING
 SPECIFICATIONS ARE SUBJECT TO CHANGE WITHOUT NOTICE

DO NOT SCALE	Tyco Electronics <small>Norwood, Massachusetts 02062</small>			<small>CONFIDENTIAL PROPERTY OF TYCO ELECTRONICS NOT TO BE DISCLOSED TO OTHERS, REPRODUCED OR USED FOR ANY PURPOSES EXCEPT AS AUTHORIZED IN WRITING BY AN AUTHORIZED OFFICIAL OF THE COMPANY. MUST BE RETURNED TO THE COMPANY ON COMPLETION OF ORDERS OR OTHER PURPOSES FOR WHICH INT.</small>		<small>TITLE:</small> HEAT SINK		
	<small>UNLESS OTHERWISE SPECIFIED TO TOLERANCES ARE:</small> .XX ± . .XXX ± . .XXXX ± .	<small>DRAWN BY:</small> SCG	<small>DATE:</small> 9/20/01	<small>MATERIAL:</small> 2011-T3 ALUM.	<small>DIMENSIONS ARE IN:</small> INCHES	<small>SCALE:</small> 1.5:1	<small>PART NO.:</small> 1542264-4	<small>SHEET:</small> 1 OF 1
		<small>ENGINEER:</small> C.R	<small>DATE:</small> 9/20/01	<small>FINISH:</small> CLEAR ANODIZE	<small>SIZE:</small> A	<small>DWG. NO.:</small> C-1542264	<small>REV.:</small> C1	
		<small>FILENAME:</small> 	<small>PROJECT:</small> 	<small>SYSTEM:</small> 	<small>TYPED ANGLE PROJECTION:</small> 			