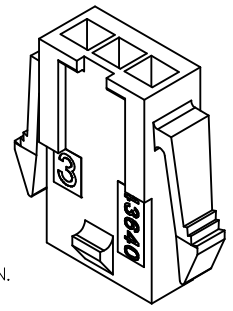


ASSEMBLY ITEM NUMBER	PART CHARACTERISTICS NUMBER OF POSITION
43640-0210	02
43640-0310	03
43640-0410	04
43640-0510	05
43640-0610	06
43640-0710	07
43640-0810	08
43640-0910	09
43640-1010	10
43640-1110	11
43640-1210	12

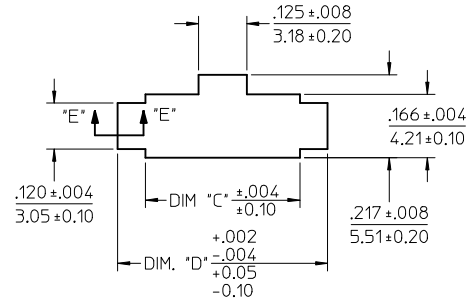
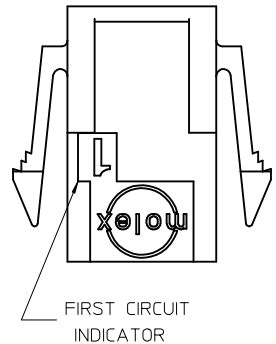
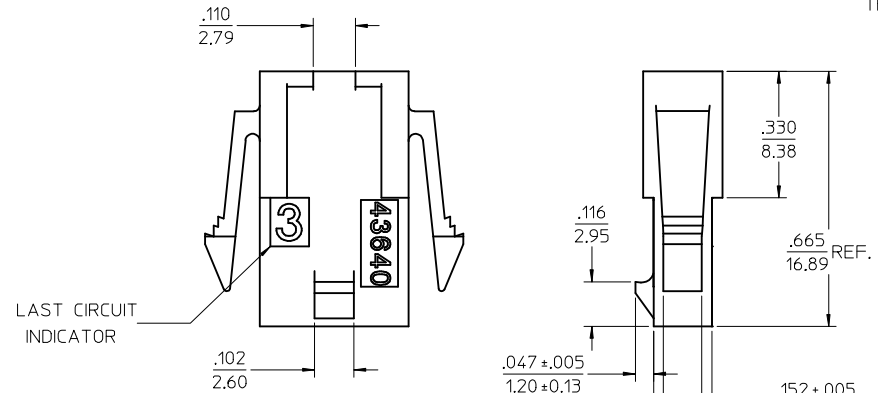
CKT. NO.	DIM. "A"	DIM. "B"	DIM. "C"	DIM. "D"
2	.270/6.85	.118/3.00	.284/7.21	.429/10.90
3	.388/9.85	.236/6.00	.402/10.21	.547/13.89
4	.506/12.85	.354/9.00	.520/13.21	.665/16.89
5	.624/15.85	.472/12.00	.638/16.21	.783/19.89
6	.742/18.85	.591/15.00	.756/19.21	.901/22.89
7	.860/21.85	.709/18.00	.874/22.20	1.019/25.88
8	.978/24.85	.827/21.00	.992/25.20	1.137/28.88
9	1.096/27.85	.945/24.00	1.110/28.20	1.255/31.88
10	1.215/30.85	1.063/27.00	1.229/31.22	1.373/34.87
11	1.333/33.85	1.181/30.00	1.347/34.22	1.491/37.87
12	1.451/36.85	1.299/33.00	1.465/37.22	1.609/40.87

**NOTES:**

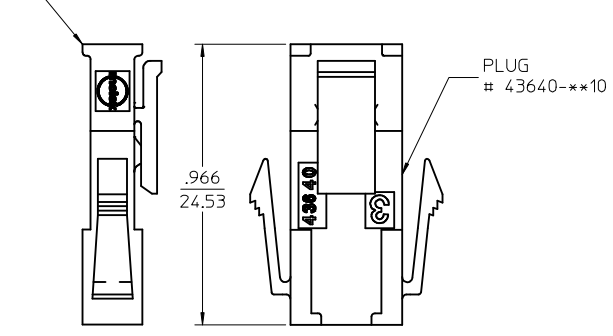
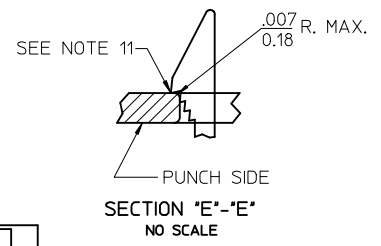
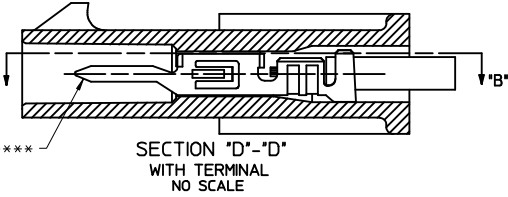
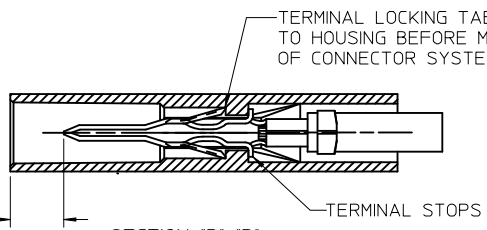
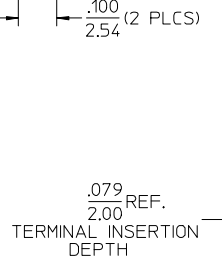
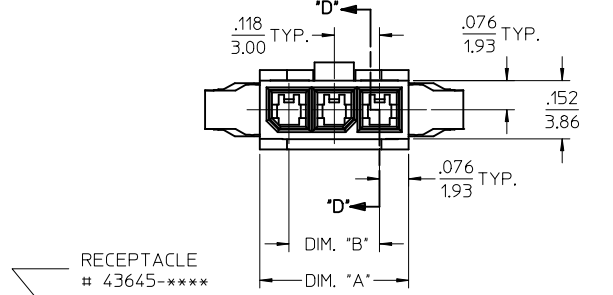
- HOUSING MATERIAL: UNFILLED NYLON, RATED UL94V-2, IEC 60335-1, 4TH EDITION  
GLOW WIRE CAPABLE, COLOR IS BLACK.  
\*MATERIAL NUMBERS ON THIS DRAWING ARE GLOW WIRE CAPABLE SINCE INCEPTION.
- FINISH: NONE
- PRODUCT SPECIFICATION: PS-43650
- PACKAGING SPECIFICATION: PK-43640-003
- THIS HOUSING MATES WITH MICRO-FIT RECEPTACLE #43645-\*\*\*\*.
- THIS HOUSING IS DESIGNED IN METRIC
- THIS HOUSING TO BE USED WITH MOLEX MALE TERMINAL #43031-\*\*\*\*.
- PLUG DESIGNED FOR .062/1.57 TO .090/2.30 THICK STAMPED PANEL OR P.C.BOARD.
- SEE SECTION "D"-"D" FOR TERMINAL ORIENTATION IN HOUSING.
- SEE SHEET 2 FOR PLUG WITHOUT PANEL MOUNTS.
- PANEL MOUNT FEATURES MUST LOCK ON SIDE OPPOSITE PUNCH SIDE FOR OPTIMUM RETENTION.
- THIS PART CONFORMS TO CLASS 'B' REQUIREMENTS OF COSMETIC SPECIFICATION PS-45499-002, WITH THE EXCEPTION THAT FLASH, DISCOLORATION, AND SINK MEET CLASS 'C' REQUIREMENTS.
- HOUSINGS MAY HAVE DISCOLORATION AREAS THAT DO NOT AFFECT FUNCTIONALITY. DISCOLORATION AREAS MAY EXTEND ACROSS THE ENTIRE LENGTH OF THE FACES OF THE PART.



PLUG WITH PANEL MOUNTS



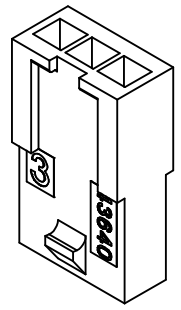
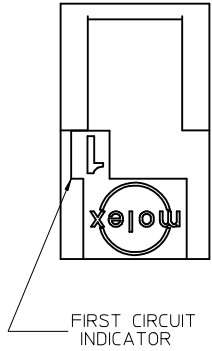
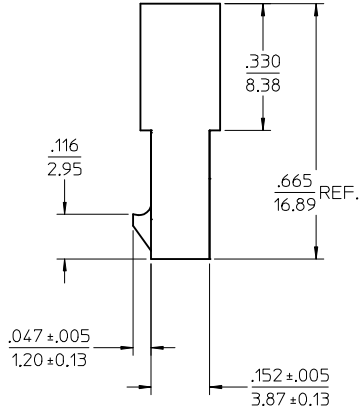
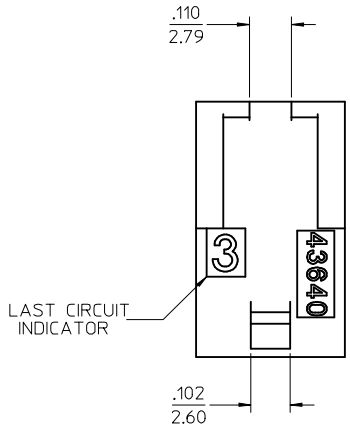
RECOMMENDED PANEL CUT-OUT (SEE NOTES 8 & 11)



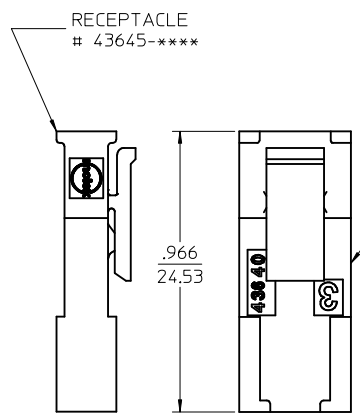
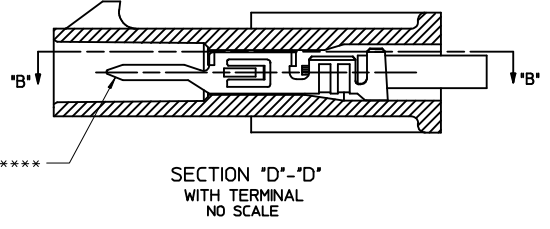
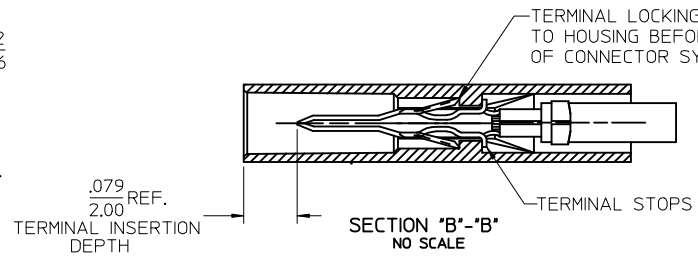
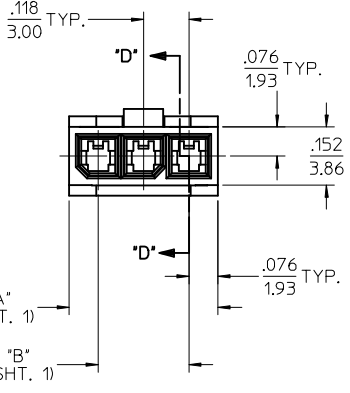
MATED MICRO-FIT CONNECTOR

UPDATE PUNCHED HOLE IEC NO: UCP2017-0525 DRWIN: J001LES 2016/09/14 CHKD: S50USEK 2016/09/14 APPR: FSMITH 2016/10/07	QUALITY SYMBOLS ▽=0 ▽=0 ▽=0	GENERAL TOLERANCES (UNLESS SPECIFIED) <table border="1"> <thead> <tr> <th></th> <th>mm</th> <th>INCH</th> </tr> </thead> <tbody> <tr><td>4 PLACES</td><td>±---</td><td>±---</td></tr> <tr><td>3 PLACES</td><td>±---</td><td>±.010</td></tr> <tr><td>2 PLACES</td><td>±.025</td><td>±.014</td></tr> <tr><td>1 PLACE</td><td>±.035</td><td>±---</td></tr> <tr><td>0 PLACE</td><td>±---</td><td>±---</td></tr> </tbody> </table>		mm	INCH	4 PLACES	±---	±---	3 PLACES	±---	±.010	2 PLACES	±.025	±.014	1 PLACE	±.035	±---	0 PLACE	±---	±---	DIMENSION STYLE IN/MM DRAWN BY: JMONT1 DATE: 2015/06/16 CHECKED BY: BANDERSON DATE: 2015/06/16 APPROVED BY: BPI SZCZOR DATE: 2016/06/10	SCALE: 4:1 DESIGN UNITS: METRIC THIRD ANGLE PROJECTION	TITLE: MICRO-FIT (3.0) IN-LINE PLUG W/ OPTIONAL PANEL MOUNTS, GLOW WIRE <b>molex</b>	DOCUMENT NO.: SD-43640-002 SHEET NO.: 1 OF 2
				mm	INCH																			
4 PLACES	±---	±---																						
3 PLACES	±---	±.010																						
2 PLACES	±.025	±.014																						
1 PLACE	±.035	±---																						
0 PLACE	±---	±---																						
MATERIAL NO.: <b>SEE CHART</b>																								
DRAFT WHERE APPLICABLE MUST REMAIN WITHIN DIMENSIONS		THIS DRAWING CONTAINS INFORMATION THAT IS PROPRIETARY TO MOLEX. INCORPORATED AND SHOULD NOT BE USED WITHOUT WRITTEN PERMISSION																						

ASSEMBLY ITEM NUMBER	PART CHARACTERISTICS NUMBER OF POSITION
43640-0211	02
43640-0311	03
43640-0411	04
43640-0511	05
43640-0611	06
43640-0711	07
43640-0811	08
43640-0911	09
43640-1011	10
43640-1111	11
43640-1211	12



PLUG WITHOUT PANEL MOUNTS



MATED MICRO-FIT CONNECTOR

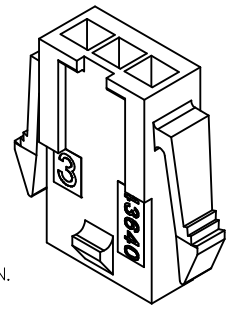
SEE SHEET 1 EC NO: UCP2017-0525 DRWN: JUILLES 2016/09/14 CHKD: SSOUSEK 2016/09/14 APPR: FSMITH 2016/10/07	QUALITY SYMBOLS ▽=0 ▽=0 ▽=0	GENERAL TOLERANCES (UNLESS SPECIFIED)		DIMENSION STYLE IN/MM		SCALE 4:1	DESIGN UNITS METRIC	THIRD ANGLE PROJECTION		
		4 PLACES ± --- ± ---	mm	INCH	DRAWN BY JMONT1	DATE 2015/06/16	<b>MICRO-FIT (3.0) IN-LINE PLUG W/ OPTIONAL PANEL MOUNTS, GLOW WIRE</b> <b>molex</b> DOCUMENT NO. SD-43640-002 SHEET NO. 2 OF 2			
		3 PLACES ± --- ± .010			CHECKED BY BANDERSON	DATE 2015/06/16				
		2 PLACES ± 0.25 ± .014			APPROVED BY BPI SZCZOR	DATE 2016/06/10				
1 PLACE ± 0.35 ± ---										
0 PLACE ± --- ± ---			ANGULAR ± 5 °		MATERIAL NO. SEE CHART					
DRAFT WHERE APPLICABLE MUST REMAIN WITHIN DIMENSIONS		SIZE C		THIS DRAWING CONTAINS INFORMATION THAT IS PROPRIETARY TO MOLEX INCORPORATED AND SHOULD NOT BE USED WITHOUT WRITTEN PERMISSION						

ASSEMBLY ITEM NUMBER	PART CHARACTERISTICS NUMBER OF POSITION
43640-0210	02
43640-0310	03
43640-0410	04
43640-0510	05
43640-0610	06
43640-0710	07
43640-0810	08
43640-0910	09
43640-1010	10
43640-1110	11
43640-1210	12

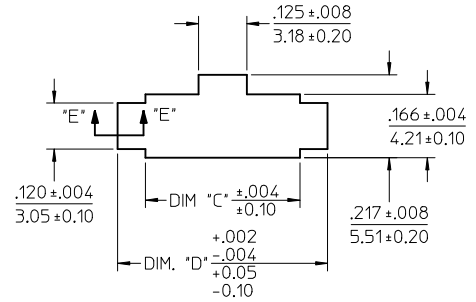
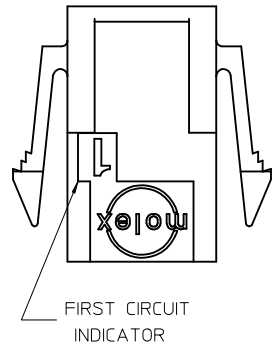
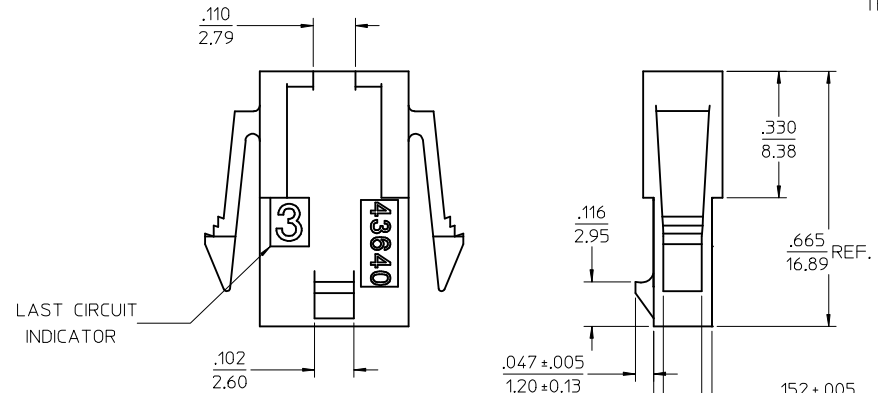
CKT. NO.	DIM. "A"	DIM. "B"	DIM. "C"	DIM. "D"
2	.270/6.85	.118/3.00	.284/7.21	.429/10.90
3	.388/9.85	.236/6.00	.402/10.21	.547/13.89
4	.506/12.85	.354/9.00	.520/13.21	.665/16.89
5	.624/15.85	.472/12.00	.638/16.21	.783/19.89
6	.742/18.85	.591/15.00	.756/19.21	.901/22.89
7	.860/21.85	.709/18.00	.874/22.20	1.019/25.88
8	.978/24.85	.827/21.00	.992/25.20	1.137/28.88
9	1.096/27.85	.945/24.00	1.110/28.20	1.255/31.88
10	1.215/30.85	1.063/27.00	1.229/31.22	1.373/34.87
11	1.333/33.85	1.181/30.00	1.347/34.22	1.491/37.87
12	1.451/36.85	1.299/33.00	1.465/37.22	1.609/40.87

**NOTES:**

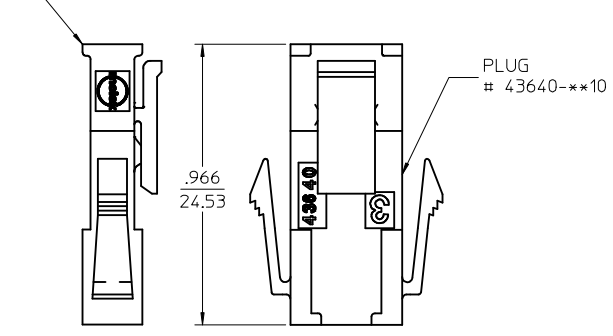
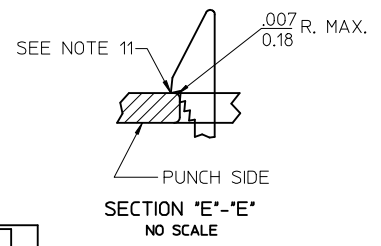
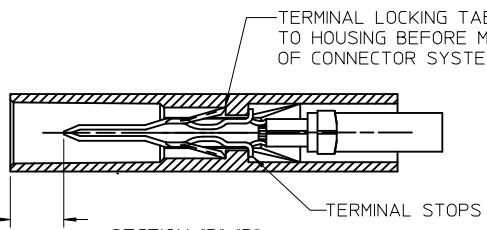
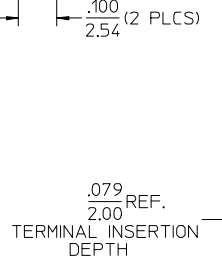
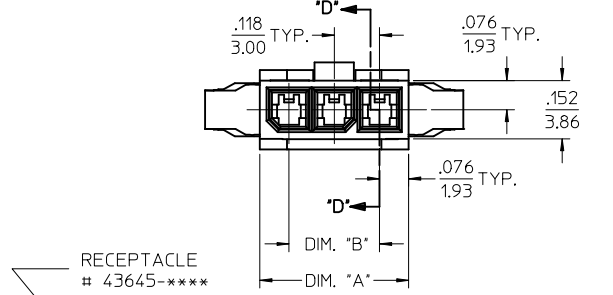
- HOUSING MATERIAL: UNFILLED NYLON, RATED UL94V-2, IEC 60335-1, 4TH EDITION  
GLOW WIRE CAPABLE, COLOR IS BLACK.  
\*MATERIAL NUMBERS ON THIS DRAWING ARE GLOW WIRE CAPABLE SINCE INCEPTION.
- FINISH: NONE
- PRODUCT SPECIFICATION: PS-43650
- PACKAGING SPECIFICATION: PK-43640-003
- THIS HOUSING MATES WITH MICRO-FIT RECEPTACLE #43645-\*\*\*\*.
- THIS HOUSING IS DESIGNED IN METRIC
- THIS HOUSING TO BE USED WITH MOLEX MALE TERMINAL #43031-\*\*\*\*.
- PLUG DESIGNED FOR .062/1.57 TO .090/2.30 THICK STAMPED PANEL OR P.C.BOARD.
- SEE SECTION "D"- "D" FOR TERMINAL ORIENTATION IN HOUSING.
- SEE SHEET 2 FOR PLUG WITHOUT PANEL MOUNTS.
- PANEL MOUNT FEATURES MUST LOCK ON SIDE OPPOSITE PUNCH SIDE FOR OPTIMUM RETENTION.
- THIS PART CONFORMS TO CLASS 'B' REQUIREMENTS OF COSMETIC SPECIFICATION PS-45499-002, WITH THE EXCEPTION THAT FLASH, DISCOLORATION, AND SINK MEET CLASS 'C' REQUIREMENTS.
- HOUSINGS MAY HAVE DISCOLORATION AREAS THAT DO NOT AFFECT FUNCTIONALITY. DISCOLORATION AREAS MAY EXTEND ACROSS THE ENTIRE LENGTH OF THE FACES OF THE PART.



PLUG WITH PANEL MOUNTS



RECOMMENDED PANEL CUT-OUT (SEE NOTES 8 & 11)



MATED MICRO-FIT CONNECTOR

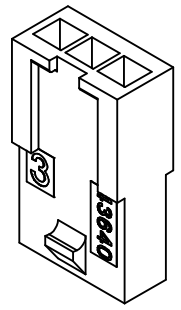
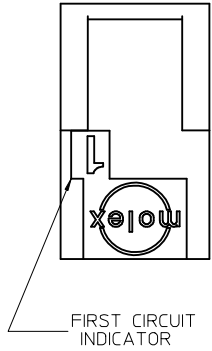
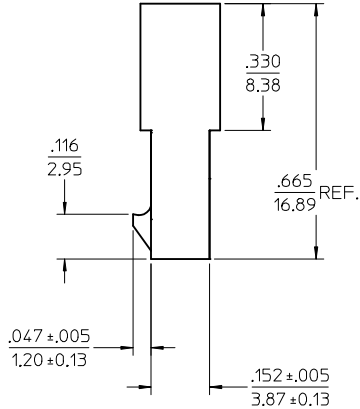
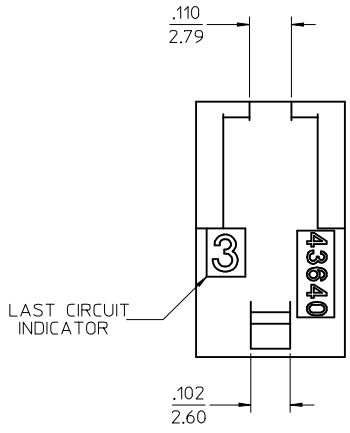
REV	DESCRIPTION
A1	UPDATE PUNCHED HOLE IEC NO: UCP2017-0525 DRWIN:JOUILES 2016/09/14 CHKD:SSOUSEK 2016/09/14 APPR:FSMITH 2016/10/07

QUALITY SYMBOLS	GENERAL TOLERANCES (UNLESS SPECIFIED)
▽=0	4 PLACES ± --- ± ---
▽=0	3 PLACES ± --- ±.010
▽=0	2 PLACES ±.025 ±.014
▽=0	1 PLACE ±.035 ± ---
▽=0	0 PLACE ± --- ± ---
	ANGULAR ± 5 °
	DRAFT WHERE APPLICABLE MUST REMAIN WITHIN DIMENSIONS

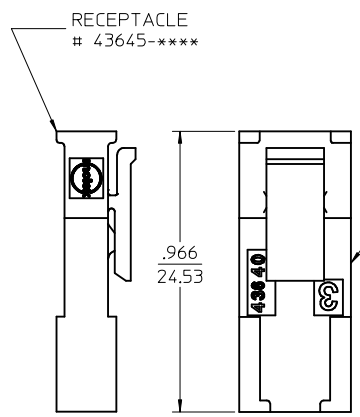
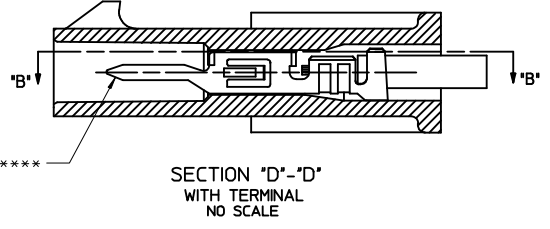
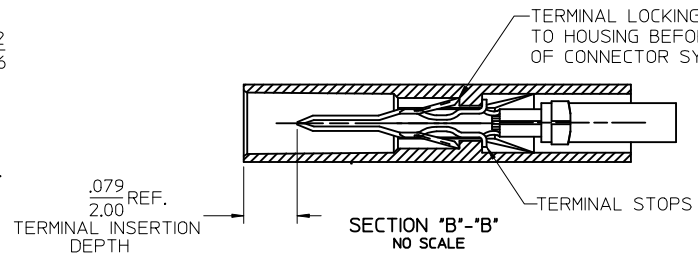
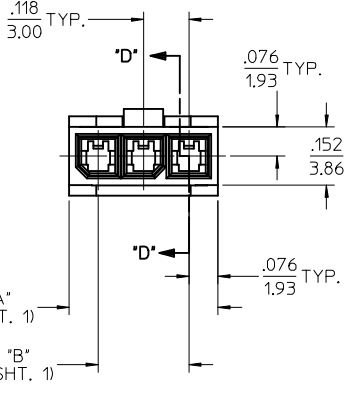
DIMENSION STYLE	
IN/MM	
DRAWN BY	DATE
JMONTI	2015/06/16
CHECKED BY	DATE
BANDERSON	2015/06/16
APPROVED BY	DATE
BPI SZCZOR	2016/06/10
MATERIAL NO.	
SEE CHART	

SCALE	DESIGN UNITS	THIRD ANGLE PROJECTION
4:1	METRIC	☉
<b>TITLE</b> MICRO-FIT (3.0) IN-LINE PLUG W/ OPTIONAL PANEL MOUNTS, GLOW WIRE <b>molex</b>		
DOCUMENT NO.	SHEET NO.	
SD-43640-002	1 OF 2	
THIS DRAWING CONTAINS INFORMATION THAT IS PROPRIETARY TO MOLEX. INCORPORATED AND SHOULD NOT BE USED WITHOUT WRITTEN PERMISSION		

ASSEMBLY ITEM NUMBER	PART CHARACTERISTICS NUMBER OF POSITION
43640-0211	02
43640-0311	03
43640-0411	04
43640-0511	05
43640-0611	06
43640-0711	07
43640-0811	08
43640-0911	09
43640-1011	10
43640-1111	11
43640-1211	12



PLUG WITHOUT PANEL MOUNTS



MATED MICRO-FIT CONNECTOR

SEE SHEET 1 EC NO: UCP2017-0525 DRWN: JUILLES 2016/09/14 CHKD: SSOUSEK 2016/09/14 APPR: FSMITH 2016/10/07	QUALITY SYMBOLS ▽=0 ▽=0 ▽=0	GENERAL TOLERANCES (UNLESS SPECIFIED)		DIMENSION STYLE IN/MM		SCALE 4:1	DESIGN UNITS METRIC	THIRD ANGLE PROJECTION		
		4 PLACES ± --- ± ---	mm	INCH	DRAWN BY JMONT1	DATE 2015/06/16	TITLE MICRO-FIT (3.0) IN-LINE PLUG W/ OPTIONAL PANEL MOUNTS, GLOW WIRE <b>molex</b>			
		3 PLACES ± --- ± .010			CHECKED BY BANDERSON	DATE 2015/06/16				
		2 PLACES ± 0.25 ± .014			APPROVED BY BPI SZCZOR	DATE 2016/06/10	DOCUMENT NO. SD-43640-002	SHEET NO. 2 OF 2		
1 PLACE ± 0.35 ± ---			ANGULAR ± 5 °		SEE CHART					
0 PLACE ± --- ± ---			DRAFT WHERE APPLICABLE MUST REMAIN WITHIN DIMENSIONS		THIS DRAWING CONTAINS INFORMATION THAT IS PROPRIETARY TO MOLEX INCORPORATED AND SHOULD NOT BE USED WITHOUT WRITTEN PERMISSION					