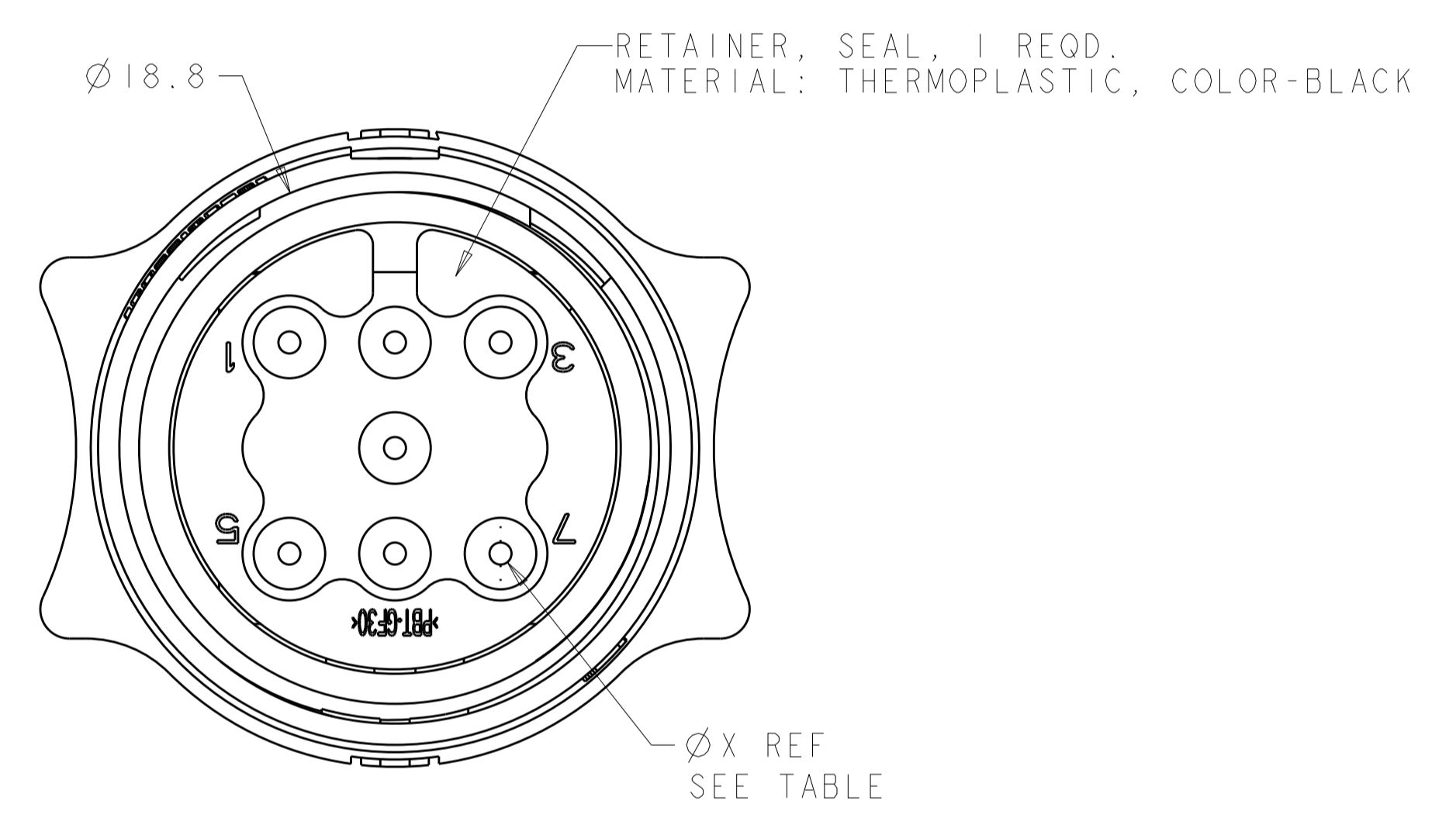
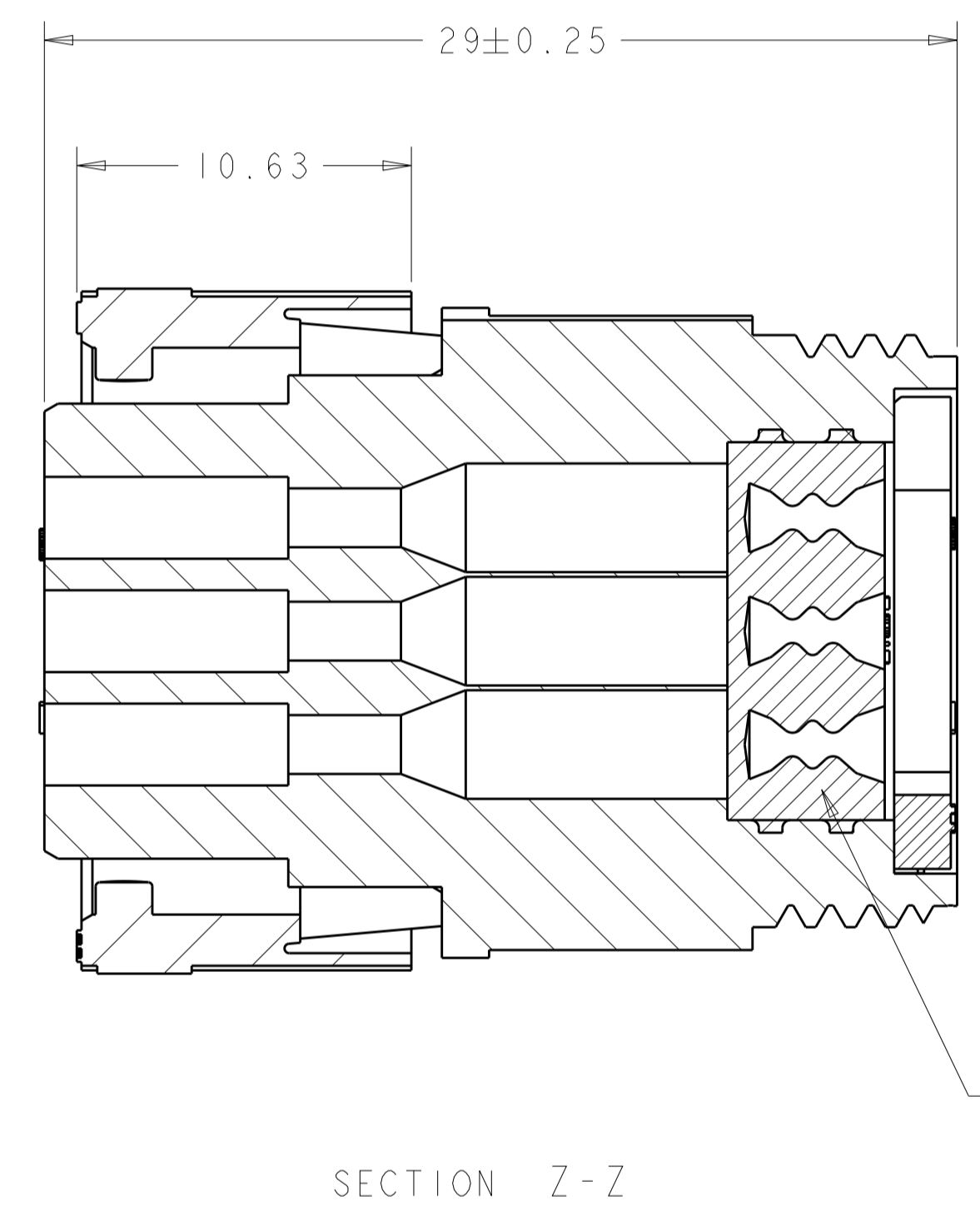
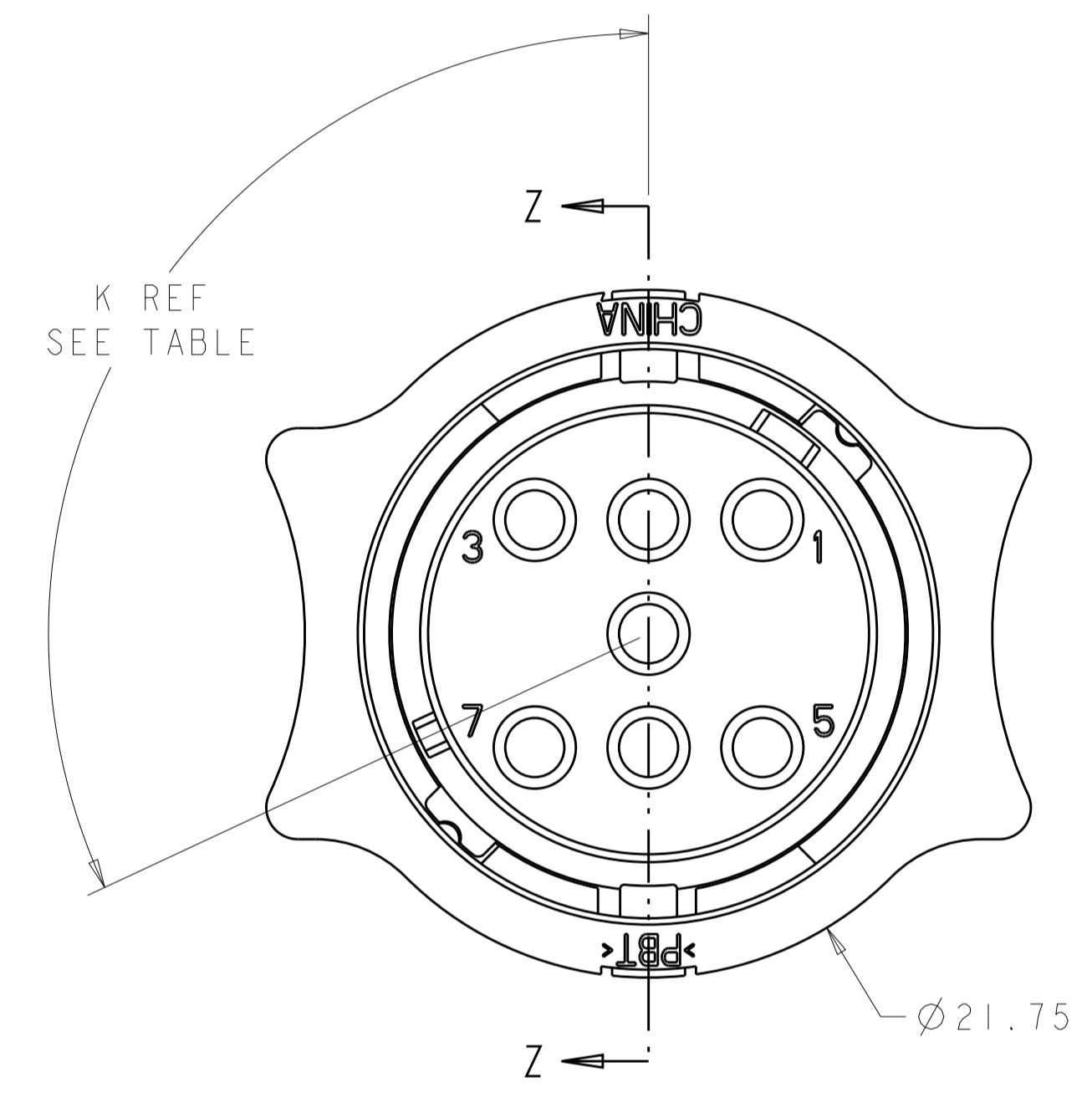
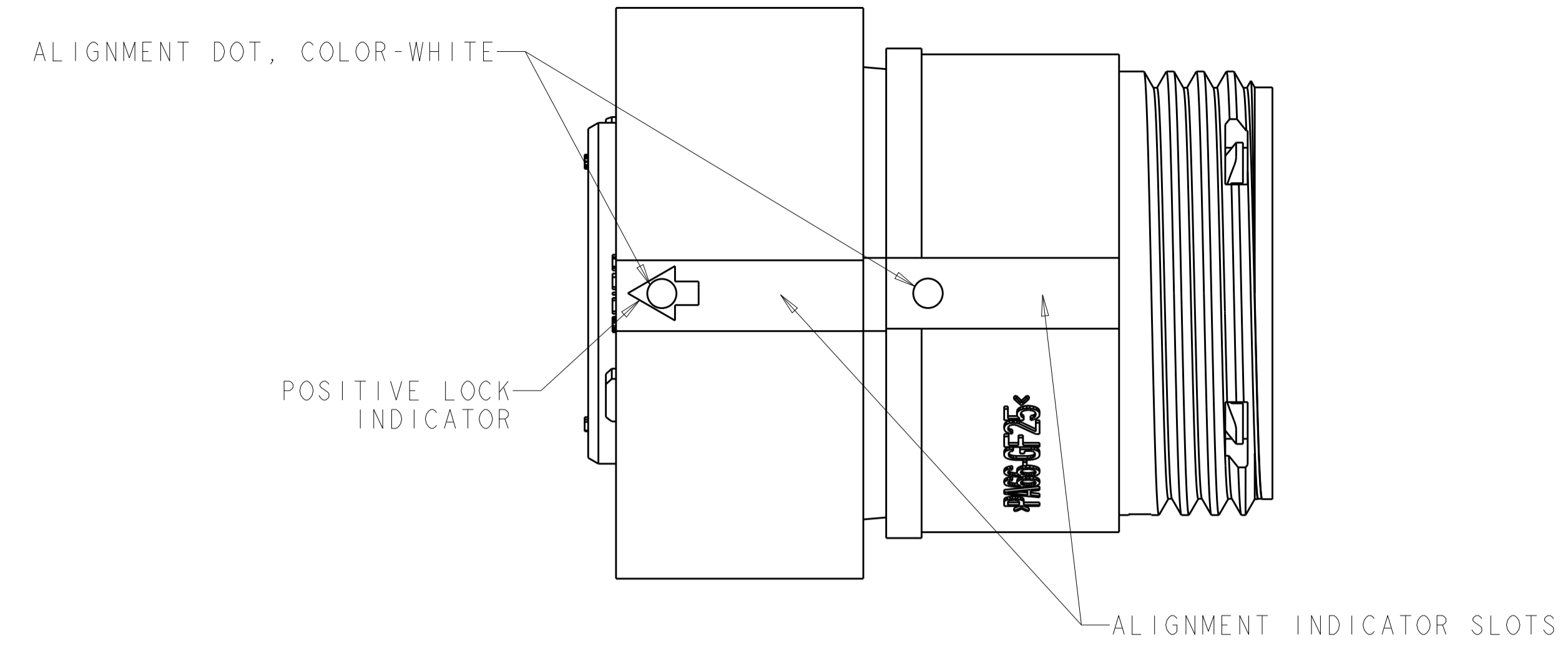
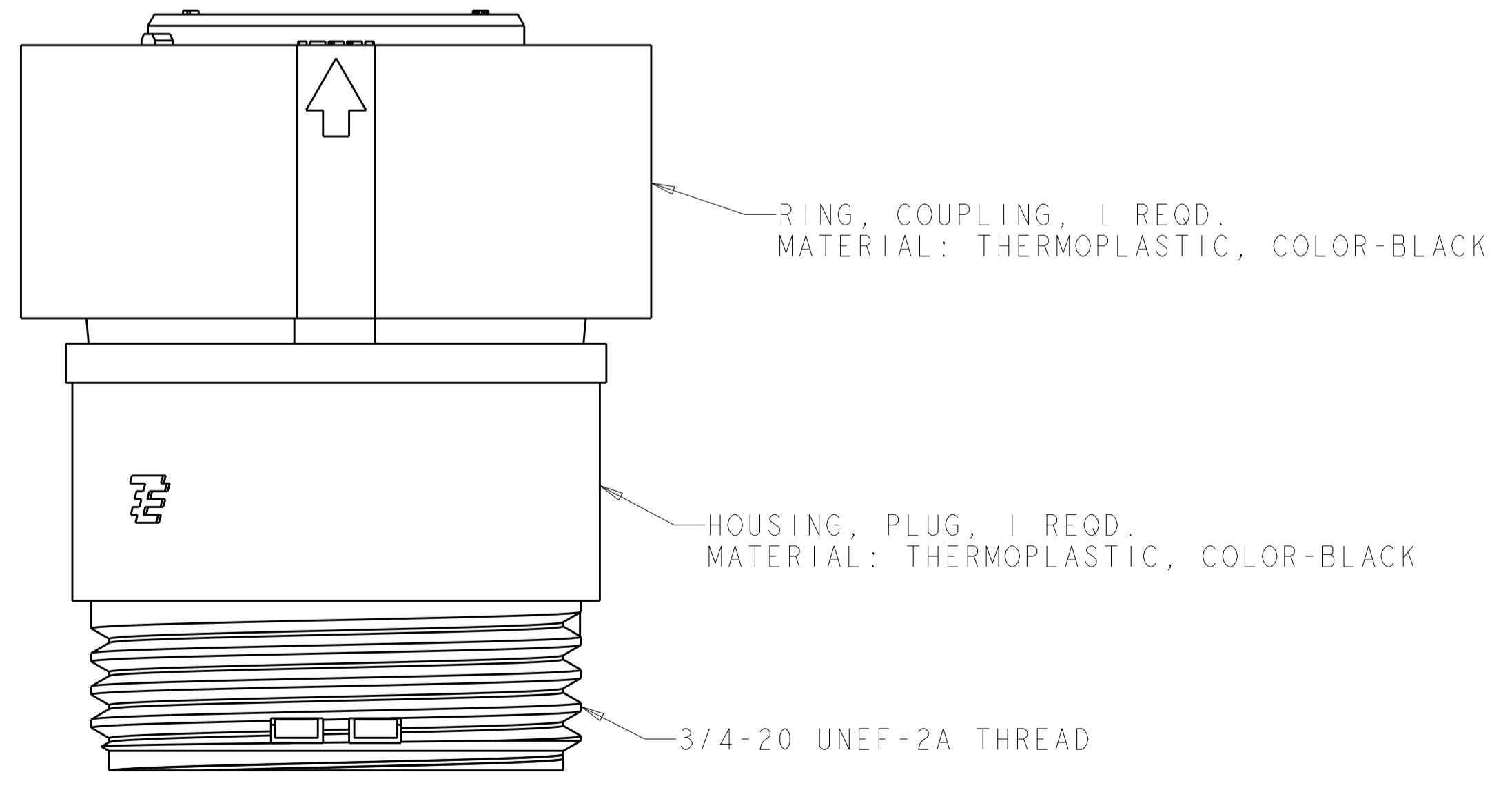


REVISIONS				
P.	LTN	DESCRIPTION	DATE	OWN APVD
C2		REVISED PER ECO-15-010004	13JUL2015	NK MZ
D		REVISED PER ECO-16-018352	24MAR2017	RS MZ



SEAL, WIRE ENTRY, 1 REQD.
MATERIAL: ELASTOMER, COLOR-SEE TABLE



OBSELETE	YELLOW	Ø0.75	135°	1445818-4
	NATURAL	Ø1.5	115°	1445818-3
OBSELETE	NATURAL	Ø1.5	135°	1445818-2
	YELLOW	Ø0.75	115°	1445818-1
	SEAL, WIRE ENTRY COLOR	ØX REF	K REF	PART NUMBER

THIS DRAWING IS A CONTROLLED DOCUMENT.

OWN: SHANE WIESE 16OCT2001
 CHG: G DOUTY 16OCT2001
 APVD: H. WAKEEM 13JUN2003

STE TE Connectivity

NAME: ASSEMBLY, PLUG, SIZE 11, 7 POSITION, SEALED, MINI CPC

SIZE: A1 CAGE CODE: 100779 DRAWING NO: 1445818

MATERIAL: SEE CALLOUT
 FINISH: -
 WEIGHT: -
 CUSTOMER DRAWING

SCALE: 5:1 SHEET 1 OF 1 REV D