

THIS DRAWING IS UNPUBLISHED.

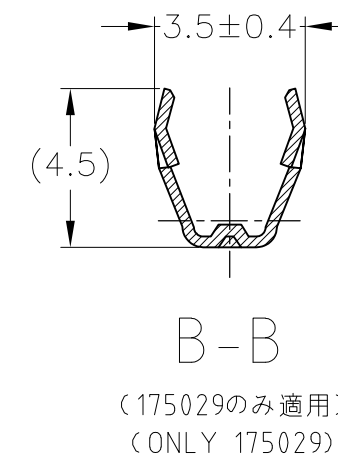
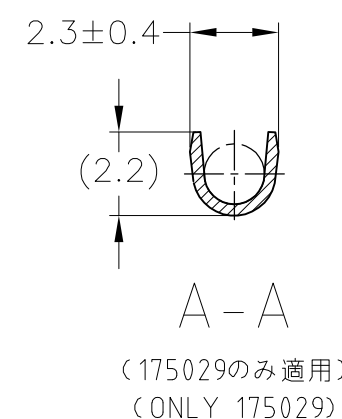
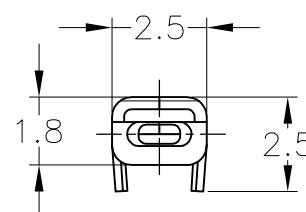
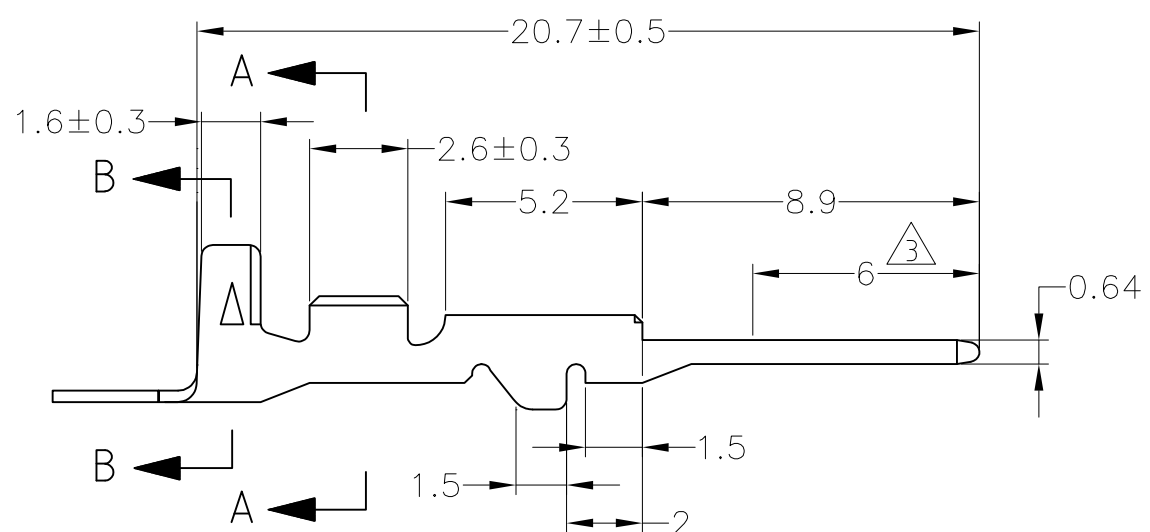
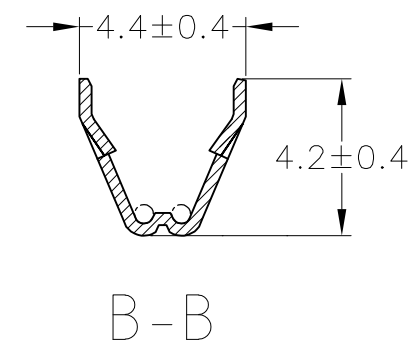
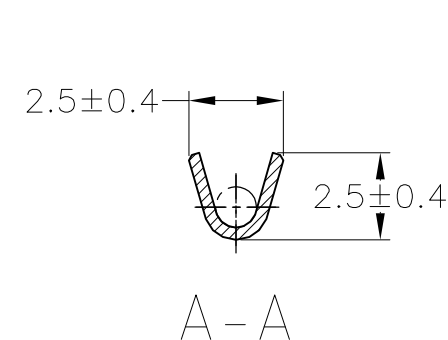
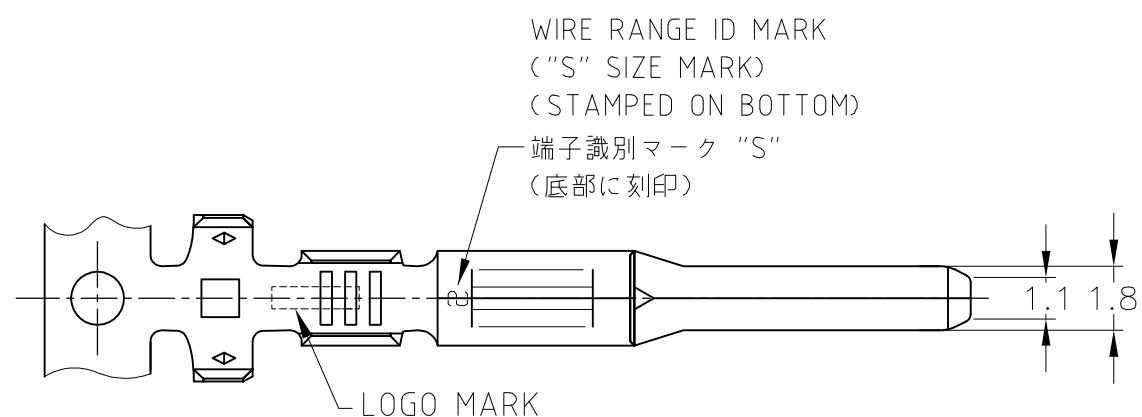
RELEASED FOR PUBLICATION DEC. 2017.

© COPYRIGHT 2017 By Tyco Electronics JAPAN G.K.

ALL RIGHTS RESERVED.

REVISIONS

P	LTR	DESCRIPTION	DATE	DWN	APVD
	E	REVISED ECR-17-012605	25DEC2017	YN	TK



- 1. 製品規格番号 ; 108-5231, 108-5264
- 2. 嵌合相手端子型番 ; 173630 他
- 3. 部分金めっき, 他はニッケルめっき

- 1. PRODUCT SPECIFICATION NO. ; 108-5231, 108-5264
- 2. RECEPTACLE CONTACT ; 173630 etc.
- 3. SELECTIVE GOLD PLATING, REMAINDER NICKEL PLATING

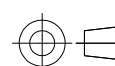
175029-3	部分金めっき SELECTIVE GOLD $\triangle 3$	リン青銅 板厚0.32 PHOS BRO. t=0.32	173633-3
175029-2	錫めっき済み PRE-TINNED	リン青銅 板厚0.32 PHOS BRO. t=0.32	173633-2
175029-1	錫めっき済み PRE-TINNED	黄銅 板厚0.32 BRASS t=0.32	173633-1
バラ端子型番 LOOSE PIECE NUMBER	仕上げ FINISH	材料 MATERIAL	型番 PART NUMBER

WIRE RANGE
AVS 0.2~0.3mm²
(AWG#24-#22)

INSULATION DIA.
1.4~1.9mmφ

THIS DRAWING IS A CONTROLLED DOCUMENT.

DIMENSIONS:
mm



TOLERANCES UNLESS OTHERWISE SPECIFIED:

0 PLC ± -
1 PLC ± -
2 PLC ± -
3 PLC ± -
4 PLC ± -
ANGLES ± -

MATERIAL
SEE TABLE

FINISH
SEE TABLE

DWN T.SHINOHARA 14JUN2012

CHK K.BETSUI 14JUN2012

APVD K.BETSUI 14JUN2012

PRODUCT SPEC

SEE NOTE 1

APPLICATION SPEC

114-5092

WEIGHT 0.3 g

CUSTOMER DRAWING

NAME
STE TE Connectivity Ltd.

070 SERIES TAB CONTACT

SIZE CAGE CODE DRAWING NO RESTRICTED TO

A3 00779 C-173633

SCALE 5:1 SHEET 1 OF 1 REV E

TOLERANCES UNLESS OTHERWISE SPECIFIED:	
一般公差	
10 ≥	: ±0.2
30 ≥	> 10 : ±0.25
100 ≥	> 30 : ±0.3
	ANGLE : ±3°