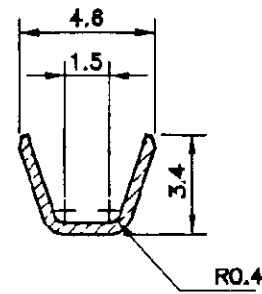
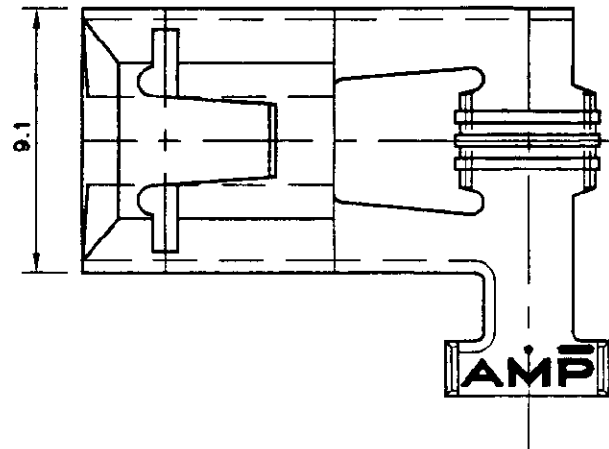
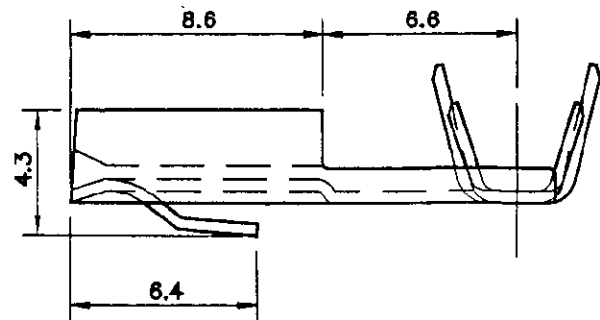
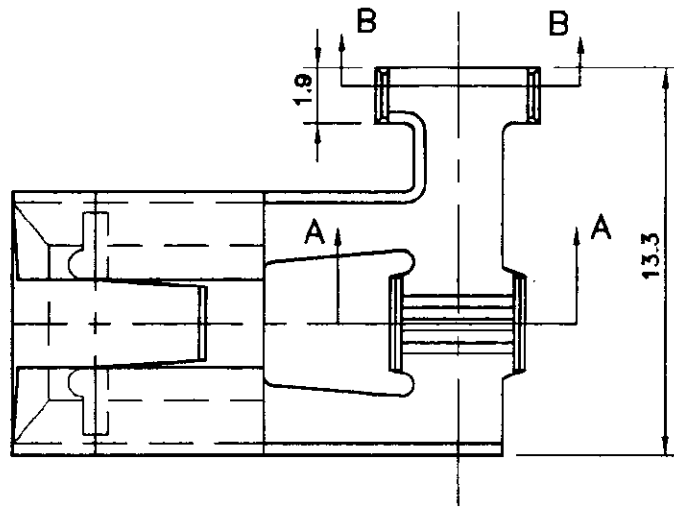
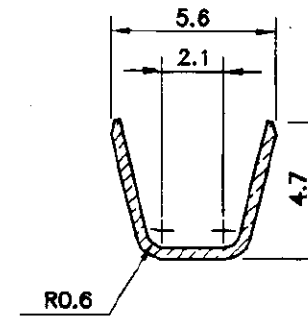


DRAWING MADE IN THIRD ANGLE PROJECTION



SECTION A-A



SECTION B-B

CONTROLLED

THIS INFORMATION IS CONFIDENTIAL AND DISCLOSED TO YOU ON CONDITION THAT NO FURTHER DISCLOSURE IS MADE BY YOU TO OTHER THAN AMP PERSONNEL WITHOUT WRITTEN AUTHORIZATION FROM ALLIANT AMP

WIRE RANGE: 0.5-1.5 sq mm		-		BRASS		190789-0	
INSULATION RANGE: N/A		REMARKS	FINISH	MATERIAL		PART No	
		SIZE 0.4±0.013X21.84±0.05					
		DATE 28/03/94	CHK FP				
		DR RB	APP BL				
		NAME RECEPTACLE, FLAG, FASTON, 0.312				ECC-CODE	
		SCALE AS 4:1 or SHOWN				REV	
		SIZE A3		DWG No. C-190789		SHEET 1 OF 1	
		APP DATE 17/5/95				REV A	
P	F	LTR	REVISION RECORD	APP	DATE		

CUSTOMER DRAWING

ORIGINAL

8

7

6

5

4

3

2

1

F

E

D

C

B

A