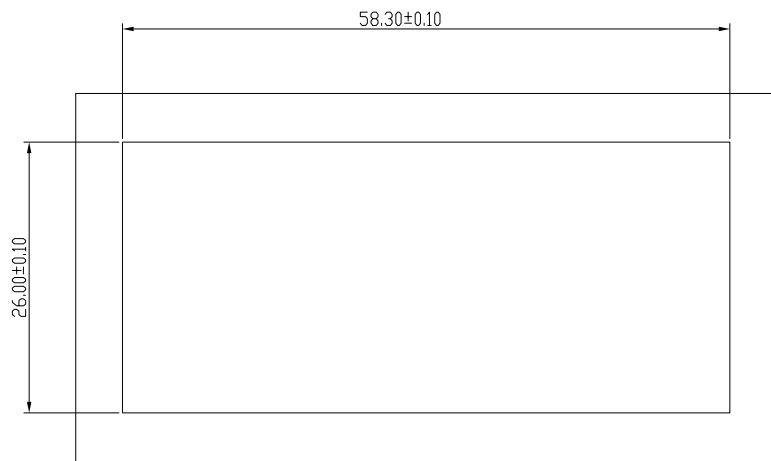


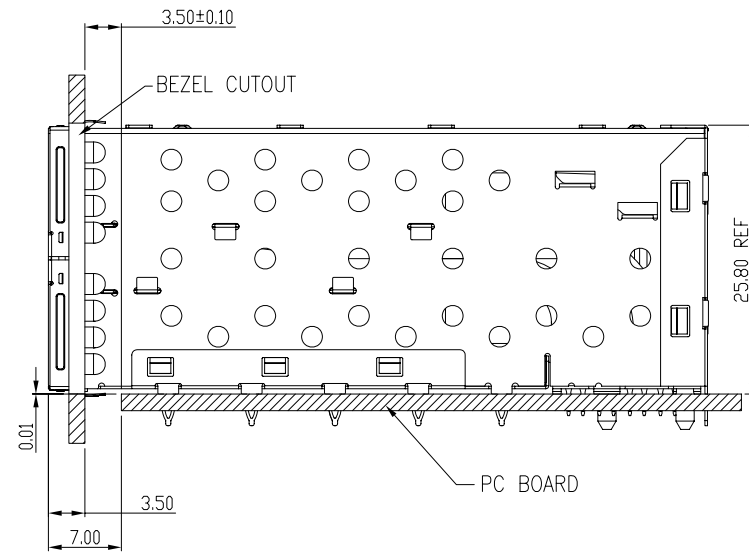
Qty Per:	TRAY	CARTON		
	6	36		
PART NUMBER	STATEMENT			
SFPP-3120-L	SFP PLUS/INNER&OUTER LIGHT PIPES			
	SFP PLUS/INNER LIGHT PIPES			
	SFP PLUS/OUTER LIGHT PIPES			
No.	DESCRIPTION	Q'ty	MATERIAL	PLATING
01	SFP CAGE (Non-Logo)	1	COPPER ALLOY	
02	CONNECTOR	4	HIGH TEMP/COPPER ALLOY	GOLD
03	LIGHT PIPES	4	POLYCARBONITE	
04	EMI TAB	1	COPPER ALLOY	

DETACHED LISTS	MM (INCH)	RoHS Compliant	Pulse A TECHNITROL COMPANY	
	TOLERANCES EXCEPT AS NOTED	TITLE W/LIGHT PIPES&EMI_TAB		
	MM .0 ± 0.25 ± .00 ± 0.20 ± 0.00 ± 0.10 ±	SFP PLUS 2 BY 4 CAGE+CONNECTOR_P		
	ANGLES ± 0.5	DFTD Jack DATE 9/16/08'	DRAWING NO. CSFPP-3120-L /PART NO. SFPP-3120-L	SIZE A3
THIRD ANGLE PROJECTION	SCALE : 2:1	DO NOT SCALE DRAWING	SHEET 1	OF 4

8 | 7 | 6 | 5 | 4 | 3 | 2 | 1

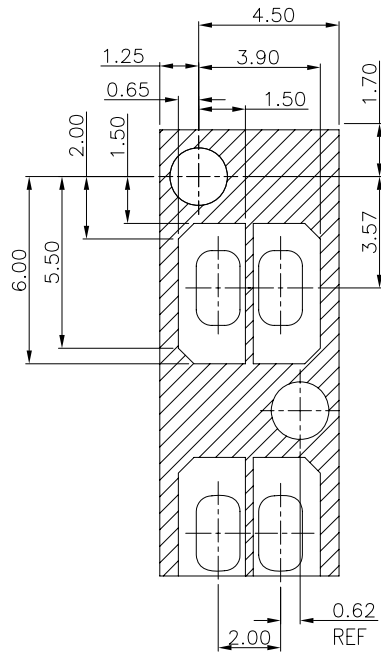


BEZEL CUT-OUT CENTER SPACING DETAIL
BEZEL THICKNESS:0.8-2.6

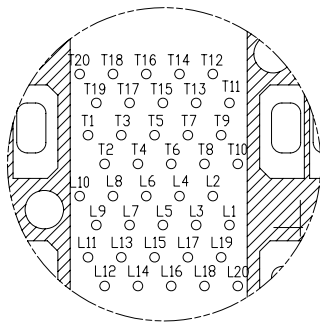


MM (INCH)		RoHS Compliant			
TOLERANCES EXCEPT AS NOTED		TITLE SFP PLUS 2 BY 4 CAGE+CONNECTOR_P W/LIGHT PIPES&EMI_TAB			
.0 ± 0.25 ± .00 ± 0.20 ± .000 ± 0.10 ±	± ± ±	DFTD Jack DATE 9/16/08'		DRAWING NO. CSFPP-3120-L /PART NO. SFPP-3120-L	SIZE A3
ANGLES ± 0.5		SCALE : 2:1		DO NOT SCALE DRAWING	SHEET 2 OF 4
 THIRD ANGLE PROJECTION					

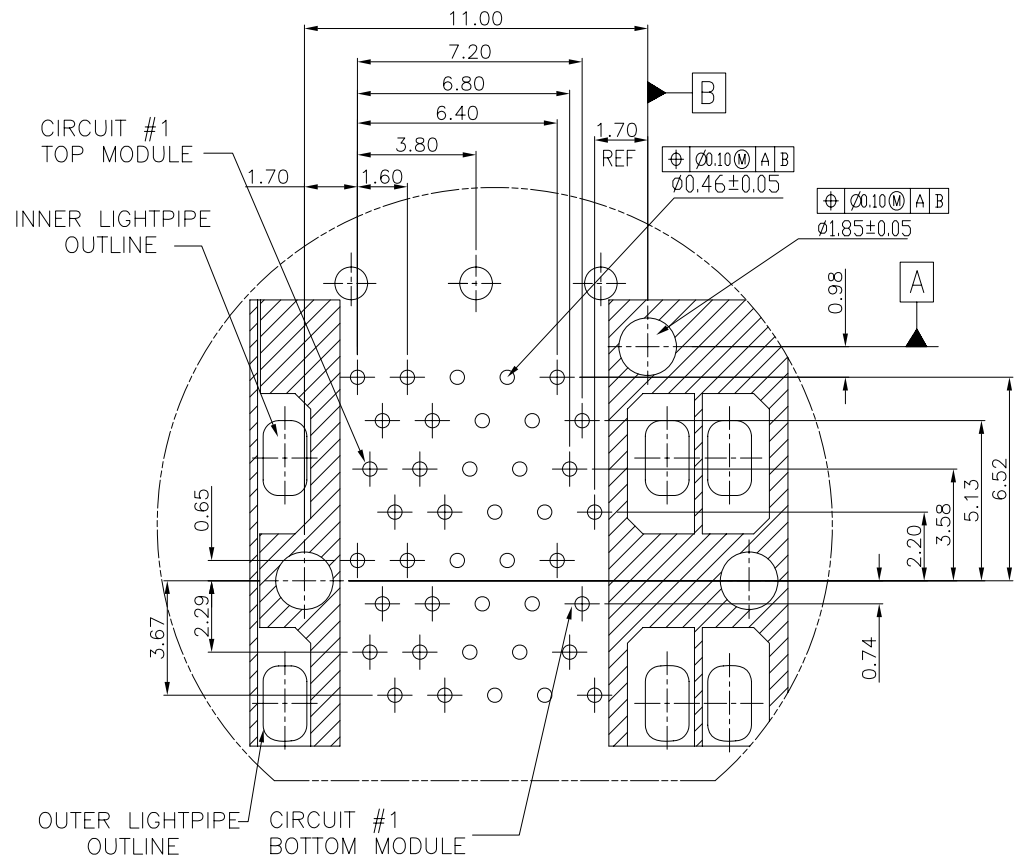
H
G
F
E
D
C
B
A



KEEP-OUT ZONE DETAIL
SCALE 6:1



CONNECTOR PIN-OUT
COMPONENT SIDE OF BOARD



DETAIL A
SCALE 6:1

MM (INCH)		RoHS Compliant			
TOLERANCES EXCEPT AS NOTED:		TITLE SFP PLUS 2 BY 4 CAGE+CONNECTOR_P W/LIGHT PIPES&EMI_TAB			
.0 ± 0.25 ±	.00 ± 0.20 ±	.000 ± 0.10 ±			
ANGLES ± 0.5		DFTD Jack DATE 9/16/08'		DRAWING NO. CSFPP-3120-L /PART NO. SFPP-3120-L	SIZE A3
 THIRD ANGLE PROJECTION		SCALE : 2:1	DO NOT SCALE DRAWING	SHEET 4	REV 1 OF 4