

NOTES:

1. MATERIALS AND FINISHES:  
 BODY - PHOSPHOR BRONZE, NICKEL PLATING  
 SHELL - BRASS, NICKEL PLATING  
 CONTACT PIN - BRASS, GOLD PLATING  
 INSULATOR - PTFE, NATURAL  
 SPRING - BeCu, NICKEL PLATING  
 GASKET - RUBBER, RED
2. ELECTRICAL:  
 A. IMPEDANCE: 75 OHM  
 B. FREQUENCY RANGE: DC - 12 GHz  
 C. RETURN LOSS: 20 dB MIN @ DC - 6 GHz  
                   15 dB MIN @ 6 - 12 GHz  
 D. DIELECTRIC WITHSTANDING VOLTAGE: 1500 VRMS, MIN.
3. MECHANICAL:  
 A. DURABILITY: 500 CYCLES MIN.  
 B. TEMPERATURE RANGE: -30° C TO + 85° C
4. CRIMPED FERRULE  
 HEX. CRIMP SIZE .255"
5. CRIMPED CONTACT PIN  
 HEX. CRIMP SIZE .042"

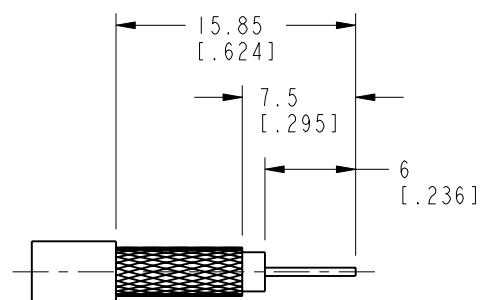
6 SHOWS CABLE ENTRY DIMENSIONS

7. PACKAGING:  
 A. QUANTITY: SINGLE PACK  
 B. BAG TO BE MARKED: AMPHENOL RF  
                           31-70546-12G  
                           YYWW

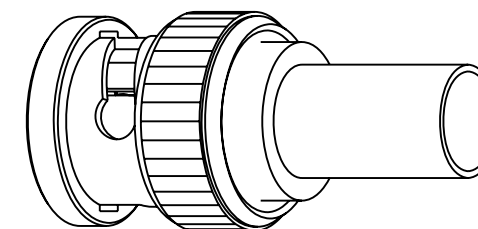
THIRD ANGLE PROJ.

REVISIONS

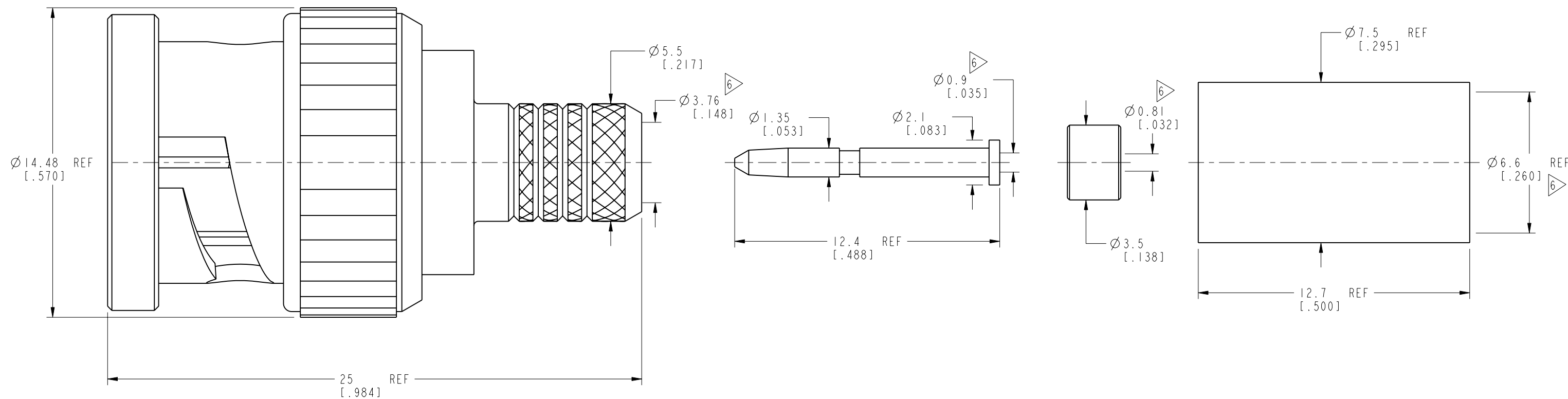
| REV | DESCRIPTION     | DATE      | ECO   | APPR |
|-----|-----------------|-----------|-------|------|
| A   | RELEASE TO MFG. | 20-Apr-18 | 07664 | SV   |



RECOMMENDED CABLE STRIPPING DIMENSIONS



SCALE 2.000



**CUSTOMER OUTLINE DRAWING**

ALL OTHER SHEETS ARE FOR INTERNAL USE ONLY

|   |                              |          |           |  |   |                                   |   |
|---|------------------------------|----------|-----------|--|---|-----------------------------------|---|
| UNLESS OTHERWISE SPECIFIED, DIMENSIONS ARE IN METRIC AND TOLERANCES ARE:<br><0.5mm ±0.05mm    0.5 - 6mm ±0.1mm    6 - 30mm ±0.2mm    30 - 120mm ±0.3mm    ANGLES ±1°  | MATERIAL                     | DRAWN    | DATE      | TITLE<br>BNC CRIMP PLUG-75 OHM<br>(BELDEN 4505R CABLE) |   | Amphenol RF<br>www.amphenolrf.com |   |
|   | SEE NOTES                    | STAR     | 23-Apr-18 |  |   |                                   |   |
| NOTICE - These drawings, specifications, or other data (1) are, and remain the property of Amphenol corp. (2) must be returned upon request; and (3) are confidential and not to be disclosed to any person other than those to whom they are given by Amphenol Corp. the furnishing of these drawings, specifications, or other data by Amphenol Corp., or to any other person to anyone for any purpose is not to be regarded by implication or otherwise in any manner licensing, granting rights to permitting such holder or any other person to manufacture, use or sell any product, process or design, patented or otherwise, that may in any way be related to or disclosed by said drawings, specifications, or other data. | REFERENCE                    | ENGINEER | DATE      | SCALE: 5.5:1.0   |   | SHEET 2 OF 2                      |   |
|   | AND                          | SUNDE    | 23-Apr-18 | DWG SIZE   |   | REV                               |   |
|   | CONFIGURATION LEVEL: In Work | APPROVED | S. HSIEH  | DATE   | B |                                   | A |
| FINISH  |                              |          | 23-Apr-18 |  |   | PART NO. 31-70546-12G             |   |