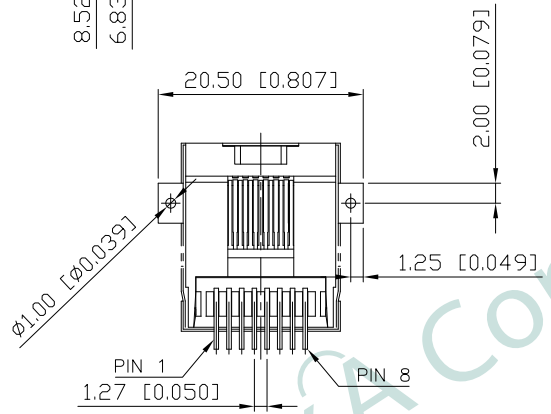
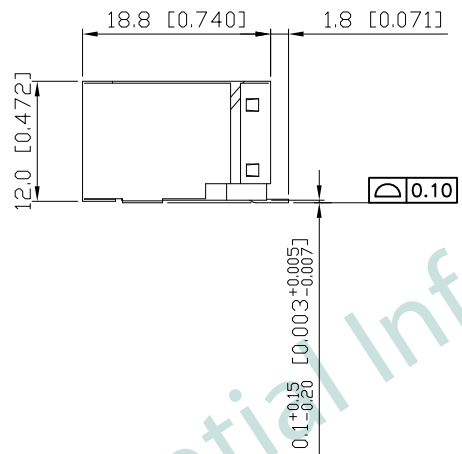
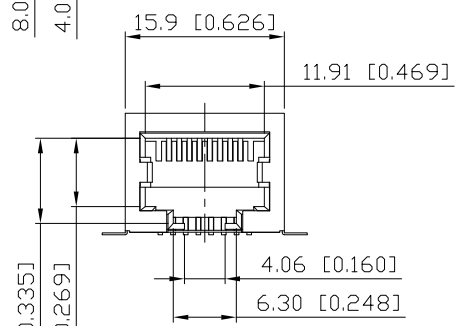
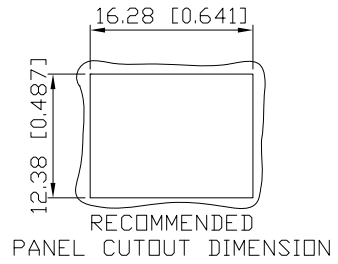
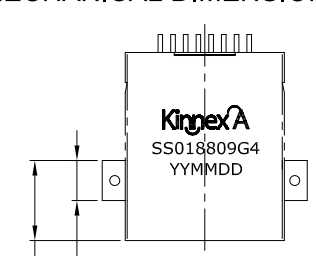


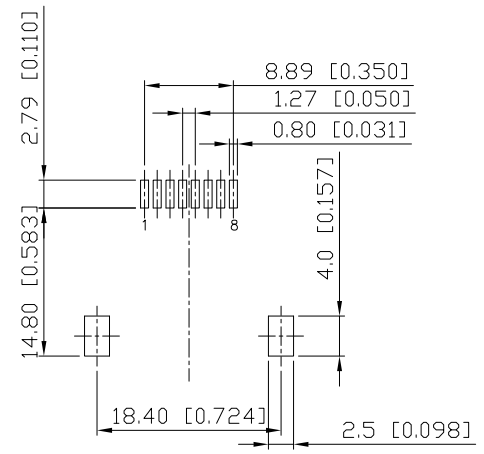
1. MECHANICAL DIMENSIONS :

A
B
C
D
E
F

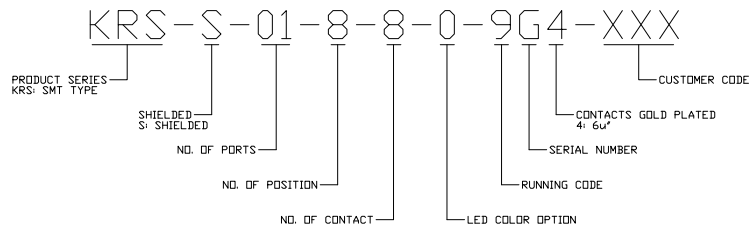


REV.	DATE	DESCRIPTION
01	Nov. 04, '20	1st RELEASE

- NOTES:
- MATERIAL:
HOUSING: HIGH THERMOPLASTIC, UL94V-0, BLACK
CONTACTS: T=0.35mm PHOS-BRONZE,
HARD GOLD & GOLD FLASH PLATING IN SOLDER AREA
SHIELD: T=0.20mm COPPER ALLOY, NICKEL PLATING
 - OPERATING TEMPERATURE: -40°C ~ +85°C
 - INSERTION FORCE: 4 POUNDS MAX.
EXTRACTION FORCE: 4 POUNDS MAX.
 - DURABILITY: 750 MATING CYCLED MIN.
 - CAVITY CONFORMS TO FCC RULES AND REGULATIONS PART 68, SUBPART F.
 - UNSPECIFIED TOLERANCE: .XX ±0.25 [0.010]
.X ±0.30 [0.012]



SUGGESTED PCB LAYOUT
(TOP VIEW)
DIMENSIONAL TOLERANCE: .XX ±0.08[0.003]

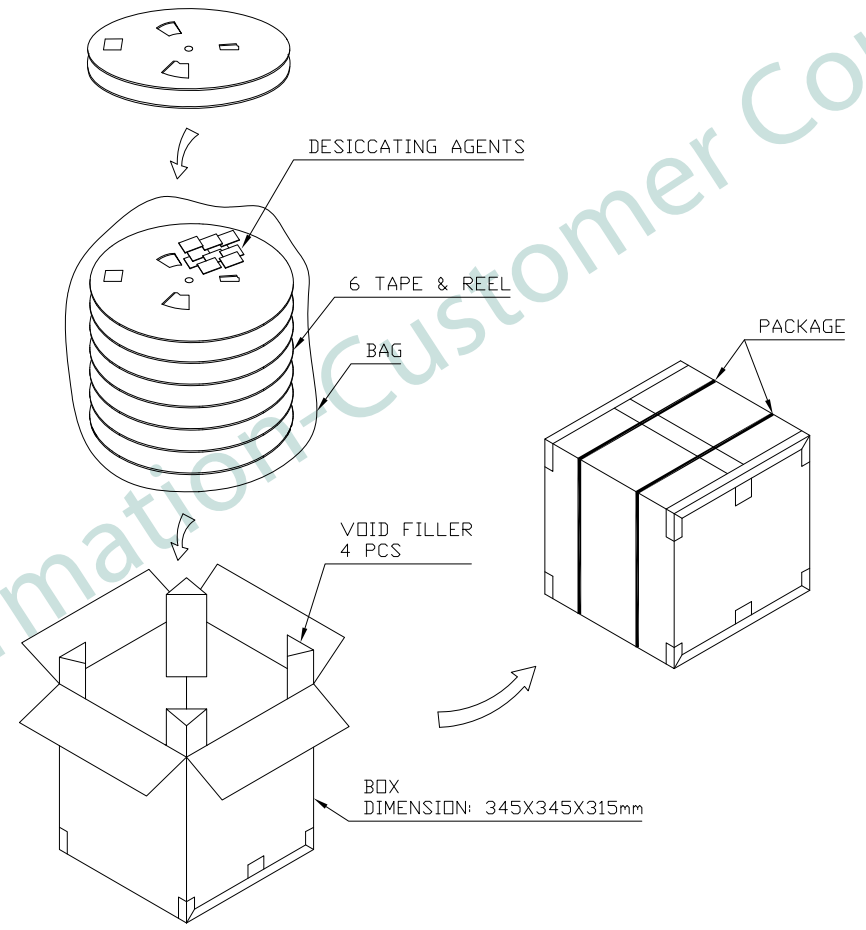
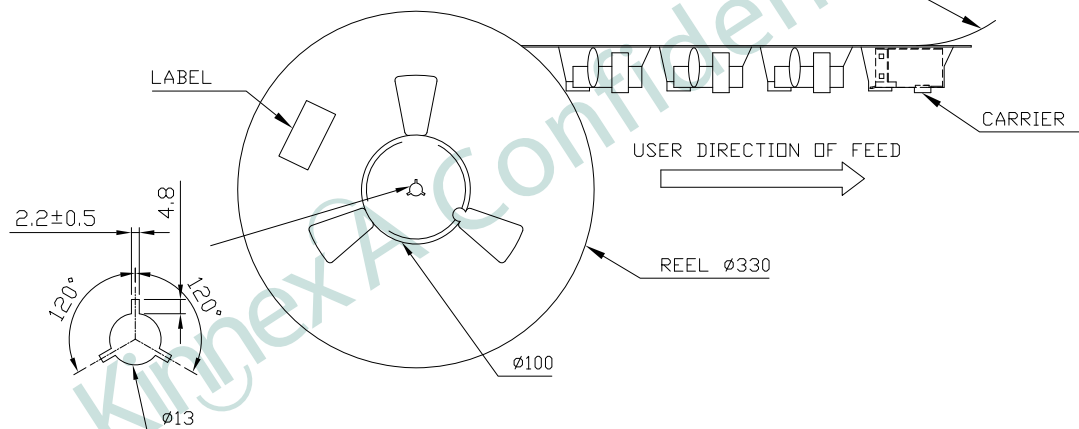
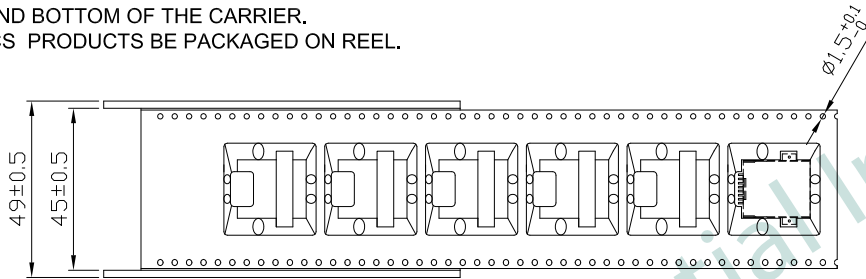
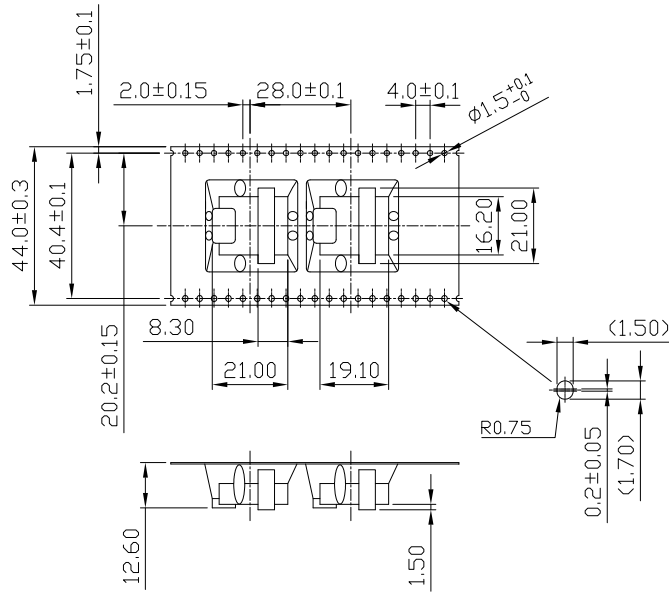


PART NO		KRS-S-01-8-8-0-9G4-XXX		
TITLE	RJ45 8P8C, W/D LED, SHIELDED, SMT TYPE			
REV : 01				
UNIT	DRAWN	CHKD	DATE	SHEET
mm[inch]	CINDY	VINCENT	Nov. 04, '20	1 of 3

2. PACKING SPECIFICATION :

- MATERIALS:**
 1. CARRIER-PS (0.40mm THICK TAPE).
 2. REEL-2mm THICK PLASTIC WHEEL.
 3. COVER TAPE-PE (0.045mm~0.12mm THICK TAPE).

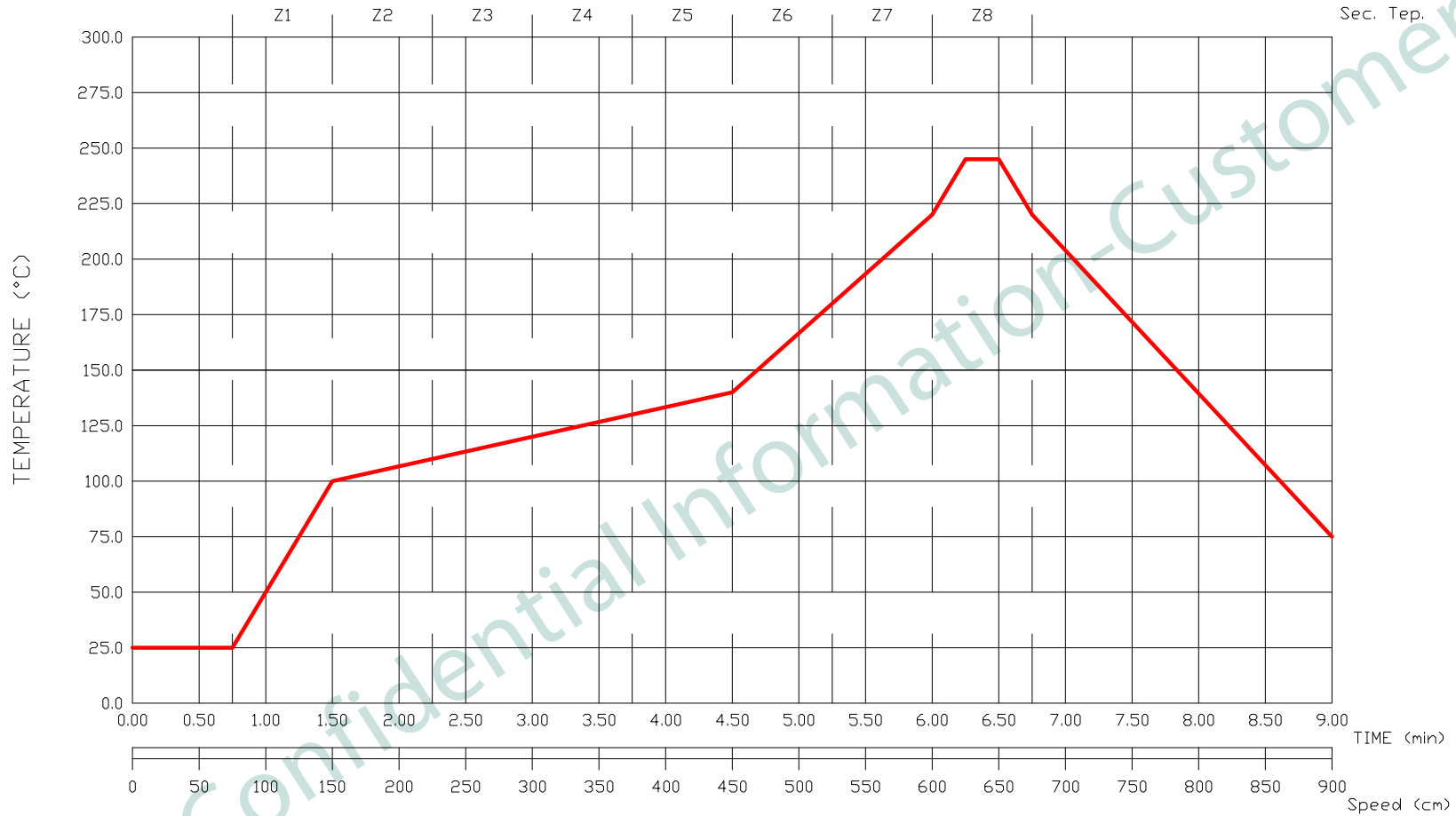
- NOTES:**
 1. EMPTY CAVITIES FOR BOTH OF TOP AND BOTTOM OF THE CARRIER.
 2. 180 PCS PRODUCTS BE PACKAGED ON REEL.



- KG	- KG	1080	6	180
GROSS WEIGHT (REF.)	NET WEIGHT (REF.)	PCS/BOX	REELS/BOX	PCS/REEL

PART NO		KRS-S-01-8-8-0-9G4-XXX		
TITLE	RJ45 8P8C, W/D LED, SHIELDED, SMT TYPE			
REV : 01				
UNIT	DRAWN	CHKD	DATE	SHEET
mm[inch]	CINDY	VINCENT	Nov. 04, '20	2 of 3

3. PROFILE OF REFLOW :



PART NO KRS-S-01-8-8-0-9G4-XXX				
TITLE	RJ45 8P8C, W/D LED, SHIELDED, SMT TYPE			
REV : 01				
UNIT	DRAWN	CHKD	DATE	SHEET
mm[inch]	CINDY	VINCENT	Nov. 04, '20	3 of 3

DWG NO KRS-S-01-8-8-0-9G4-XXX

KinnexA, INC. 8F, No. 172, CHENG TEH ROAD SEC. 4, TAIPEI 11167, TAIWAN

Connected by

PRELIMINARY RELEASE SUBJECT TO CHANGE

※ THIS DRAWING IS A CONTROLLED DOCUMENT ※

RoHS Compliant