

MATERIALS AND FINISHES:

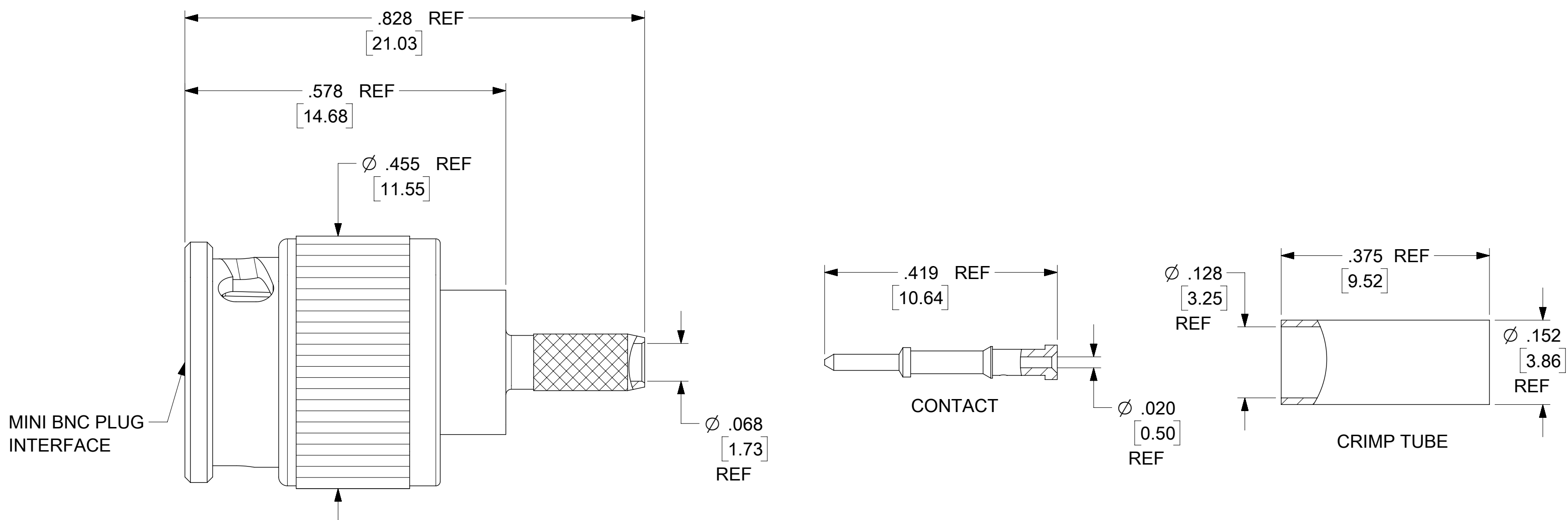
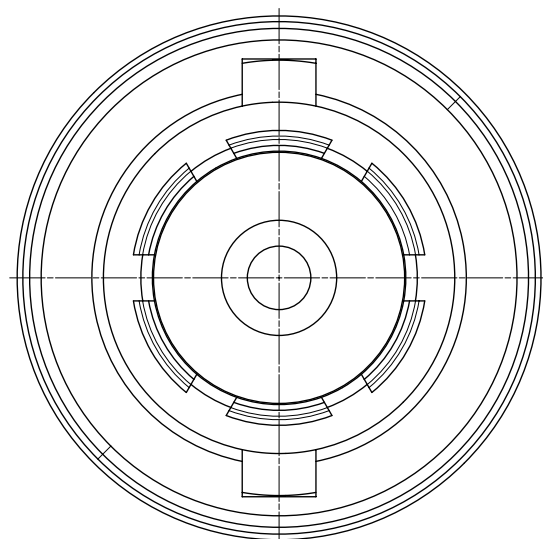
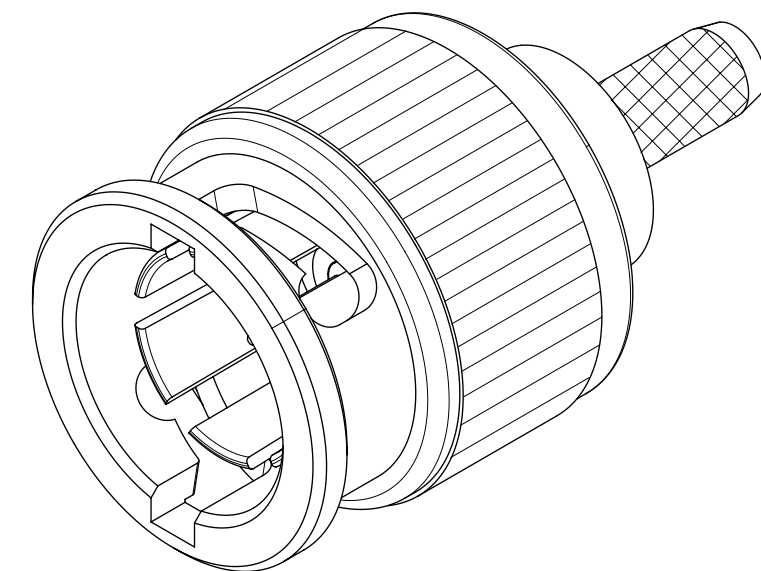
**BODY, CRIMP TUBE, WASHER & COUPLING NUT : BRASS
PLATED: NICKEL(100μ-in MIN)**

**CENTER CONTACT: BRASS
PLATED: GOLD(30μ-in MIN)
OVER NICKEL(100μ-in MIN)**

INSULATOR: PTFE

GASKET: SILICONE RUBBER

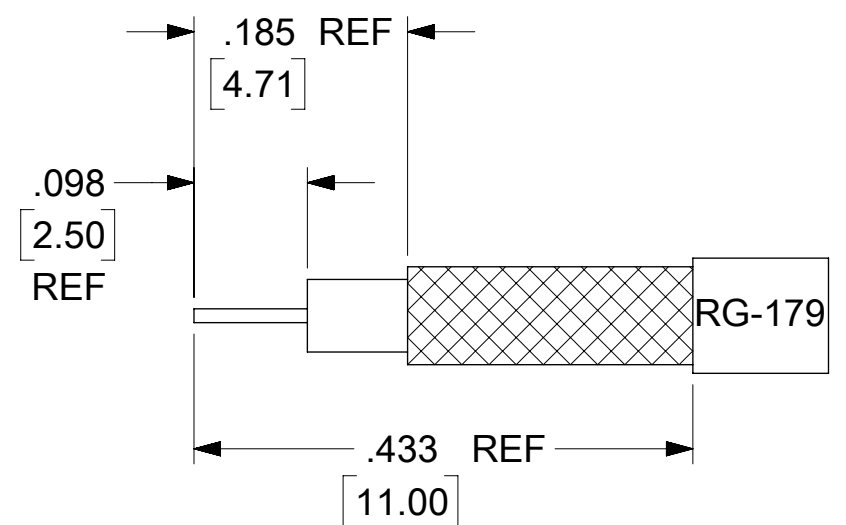
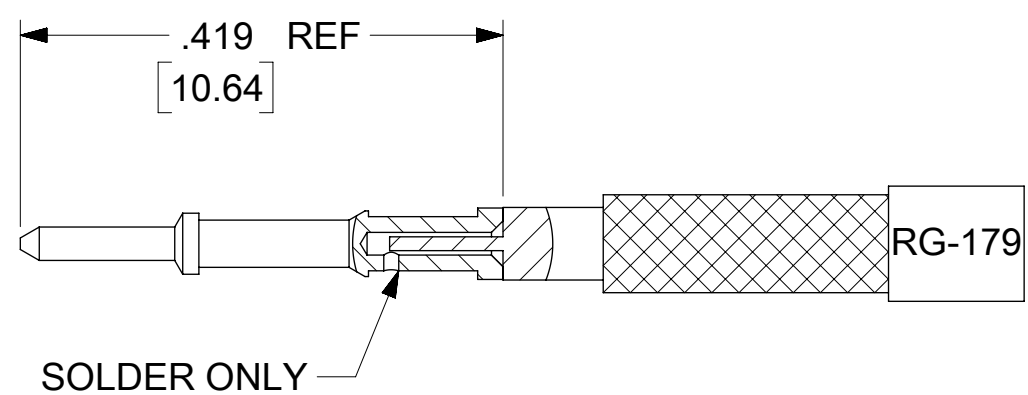
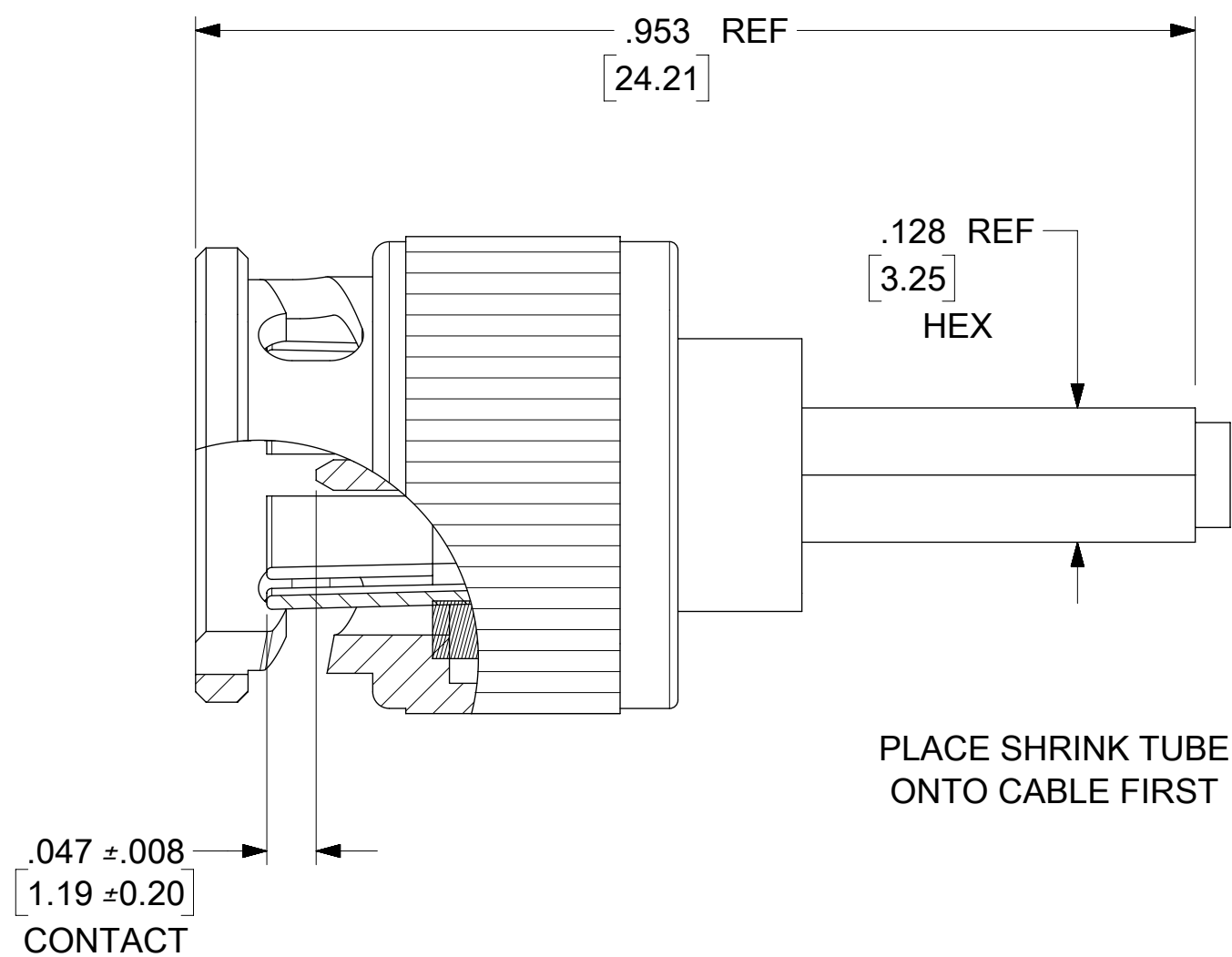
**WAVE WASHER: BERYLLIUM COPPER
PLATED: NICKEL(100μ-in MIN)**



73171-2641	73171-2640, ONE PER BAG
73171-2640	TRAY
PART NO.	PACKAGING

SYMBOLS DIMENSION UNITS: INCH SCALE: 1:1 GENERAL TOLERANCES (UNLESS SPECIFIED): 4 PLACES ± .01 3 PLACES ± .02 2 PLACES ± .05 1 PLACE ± .10 0 PLACES ± .15 ANGULAR TOL ± 2.0° DRAFT WHERE APPLICABLE MUST REMAIN WITHIN DIMENSIONS	THIS DRAWING CONTAINS INFORMATION THAT IS PROPRIETARY TO MOLEX ELECTRONIC TECHNOLOGIES, LLC AND SHOULD NOT BE USED WITHOUT WRITTEN PERMISSION		CURRENT REV DESC: SEE ECM		
	EC NO: 175335 DRWN: APRAKASH01 2018/04/19 CHK'D: APRAKASH01 2018/04/24 APPR: AROBERTSON 2018/04/24		molex MINI BNC PLUG, STR RG179, 75 OHMS, MINI BNC-PC, EWR-11570		
	INITIAL REVISION: DRWN: JMASTRIANO 2005/05/05 APPR: JWIENER 2005/05/05		PRODUCT CUSTOMER DRAWING		
	THIRD ANGLE PROJECTION:		DOCUMENT NUMBER: SD-73171-264 DOC TYPE: PSD DOC PART: 001 REVISION: A5		
DRAWING: C-SIZE SERIES: 73171		MATERIAL NUMBER: SEE TABLE CUSTOMER:		SHEET NUMBER: 1 OF 2	

DOCUMENT STATUS	P1	RELEASE DATE	2018/04/24	15:16:07
-----------------	----	--------------	------------	----------



RECOMMENDED CABLE
STRIP DIMENSIONS

SYMBOLS	THIS DRAWING CONTAINS INFORMATION THAT IS PROPRIETARY TO MOLEX ELECTRONIC TECHNOLOGIES, LLC AND SHOULD NOT BE USED WITHOUT WRITTEN PERMISSION				
	DIMENSION UNITS	SCALE	CURRENT REV DESC: SEE ECM		
▽ = 0	INCH		molex MINI BNC PLUG, STR RG179, 75 OHMS, MINI BNC-PC, EWR-11570 PRODUCT CUSTOMER DRAWING		
▽ = 0	GENERAL TOLERANCES (UNLESS SPECIFIED)				
▽ = 0		MM			INCH
▽ = 0	4 PLACES ±				
▽ = 0	3 PLACES ±				± 0.01
▽ = 0	2 PLACES ±	0.25			
▽ = 0	1 PLACE ±				
▽ = 0	0 PLACES ±				
▽ = 0	ANGULAR TOL	± 2.0°			
▽ = 0	DRAFT WHERE APPLICABLE MUST REMAIN WITHIN DIMENSIONS	THIRD ANGLE PROJECTION	DRAWING	SERIES	
			C-SIZE	73171	
DOCUMENT STATUS		DOC TYPE	DOC PART	REVISION	
P1	RELEASE DATE	PSD	001	A5	
2018/04/24	15:16:07	SEE TABLE		2 OF 2	